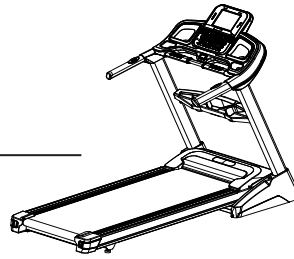


# ***SPIRIT***

---



**XT485** Treadmill  
OWNER'S MANUAL

# TABLE OF CONTENTS

4	IMPORTANT SAFETY INSTRUCTIONS
5	IMPORTANT ELECTRICAL INSTRUCTIONS
6	IMPORTANT GROUNDING INSTRUCTIONS
7	IMPORTANT OPERATION INSTRUCTIONS
8	PRODUCT REGISTRATION
9	XT485 ASSEMBLY INSTRUCTIONS
17	CONSOLE OPERATION
25	PROGRAMMABLE FEATURES
37	USING HEART RATE TRANSMITTER
38	USING THE SPIRIT FIT APP
40	GENERAL MAINTENANCE
46	MANUFACTURER'S LIMITED WARRANTY

*Thank you for purchasing our product, please save these instructions. Please do not perform or attempt any customizing, adjustments, repair or maintenance that is not described in this manual.*

# ***SPIRIT***

Congratulations on your new treadmill and welcome to the Spirit Fitness family!

Thank you for your purchase of this quality treadmill from Spirit Fitness. Your new treadmill was manufactured by one of the leading fitness manufacturers in the world and is backed by one of the most comprehensive warranties available. Through your dealer, Spirit Fitness will do all we can to make your ownership experience as pleasant as possible for many years to come. If not purchased direct from Spirit Fitness, the local dealership where you purchased this treadmill is your administrator for all Spirit Fitness warranty and service needs. Their responsibility is to provide you with the technical knowledge and service personnel to make your experience more informed and any difficulties easier to remedy.

Please take a moment at this time to record the name of the dealer, their telephone number, and the date of purchase below to make any future, needed contact easy. We appreciate your support and we will always remember that you are the reason that we are in business.

Yours in Health,  
Spirit Fitness

NAME OF DEALER \_\_\_\_\_

DEALER PHONE # \_\_\_\_\_

PURCHASE DATE \_\_\_\_\_

## Important Safety Instructions

### **WARNING**

When using an electrical appliance, basic precautions should always be followed, including the following:

Read all instructions before using this appliance.

**DANGER** - To reduce the risk of electric shock:

Always unplug this appliance from the electrical outlet immediately after using and before cleaning.

**WARNING** - To reduce the risk of burns, fire, electric shock, or injury to persons, install the treadmill on a flat level surface with access to a 110-volt, 15-amp grounded outlet with only the treadmill plugged into the circuit.

DO NOT USE AN EXTENSION CORD UNLESS IT IS A 14AWG OR BETTER, WITH ONLY ONE OUTLET ON THE END:

To reduce the risk of burns, fire electric shock, or injury to persons:

- An appliance should never be left unattended when plugged in. Unplug from outlet when not in use, and before putting on or taking off parts.
- Do not operate under blanket or pillow. Excessive heating can occur and cause fire, electric shock, or injury to persons.
- Close supervision is necessary when this appliance is used by, on, or near children, invalids, or disabled persons.
- Use this appliance only for its intended use as described in this manual. Do not use attachments not recommended by the manufacturer.
- Never operate this appliance if it has a damaged cord

or plug, if it is not working properly, if it has been dropped or damaged, or dropped into water. Return the appliance to a service center for examination and repair.

- Do not carry this appliance by supply cord or use cord as a handle.
- Keep the cord away from heated surfaces.
- Never operate the appliance with the air openings blocked. Keep the air openings free of lint, hair, and the like.
- Never drop or insert any object into any opening.
- Do not use outdoors.
- Do not operate where aerosol (spray) products are being use or where oxygen is being administered.
- Connect this appliance to a properly grounded outlet only.
- The appliance is intended for household use.
- This exercise equipment is not intended for use by persons with reduced physical, sensory or mental capabilities, or lack of experience and knowledge.
- Keep children under the age of 13 away from this machine.

**WARNING:** This product can expose you to chemicals including Toluene and Acrylamide which are known to the State of California to cause cancer and birth defects or other reproductive harm. For more information go to [www.P65Warnings.ca.gov](http://www.P65Warnings.ca.gov)

**SAVE THESE INSTRUCTIONS - THINK SAFETY!**

## Fitness Equipment Safety Instructions

- Do not operate equipment on deeply padded, plush or shag carpet. Damage to both carpet and equipment may result.
- Before beginning this or any exercise program, consult a physician. This is especially important for persons over the age of 35 or persons with pre-existing health conditions.
- Do not attempt to use your equipment for any purpose other than for the purpose it is intended.
- Keep hands away from all moving parts.
- The pulse sensors are not medical devices. Their purpose is to provide you with an approximate measurement in relation to your target heart rate. Use of a chest transmitter strap (sold separately) is a much more accurate method of heart rate analysis. Various factors, including the user's movement, may affect the accuracy of heart rate readings. The pulse sensors are intended only as exercise aids in determining heart rate trends in general.
- Wear proper shoes. High heels, dress shoes, sandals or bare feet are not suitable for use on your equipment. Quality athletic shoes are recommended to avoid leg fatigue.

Failure to follow all guidelines may compromise the effectiveness of the exercise experience, expose yourself (and possibly others) to injury, and reduce the longevity of the equipment.

## Important Electrical Instructions

### **WARNING**

**NEVER** use a ground fault circuit interrupt (GFCI) wall outlet with this treadmill. As with any appliance with a large motor, the GFCI will trip often. Route the power cord away from any moving part of the treadmill including the elevation mechanism and transport wheels.

**NEVER** remove any cover without first disconnecting AC power. If voltage varies by ten percent (10%) or more, the performance of your treadmill may be affected. Such conditions are not covered under your warranty. If you suspect the voltage is low, contact your local power company or a licensed electrician for proper testing.

**NEVER** expose this treadmill to rain or moisture. This product is NOT designed for use outdoors, near a pool or spa, or in any other high humidity environment. The operating temperature specification is 40 to 120 degrees Fahrenheit, and humidity

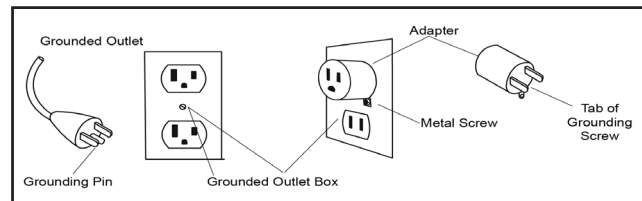
**Circuit Breakers:** Single circuit breakers (used in homes) are not rated for high inrush currents that can occur when a treadmill is first turned on or even during use. If your treadmill is tripping the house circuit breaker (even though it is the proper current rating) but the circuit breaker on the treadmill itself does not trip, you will need to replace the home breaker with a high inrush type. This is not a warranty defect. This is a condition we as a manufacture have no ability to control. This part is available through most electrical supply stores. **Examples: Grainger part # 1D237, or available online at [www.squared.com](http://www.squared.com) part # QO120HM. The electrical outlet used should have a dedicated 15 amp circuit breaker.**

## Grounding Instructions

**This product must be grounded.** If the your equipment should malfunction or breakdown, grounding provides a path of least resistance for electric current, reducing the risk of electric shock. This product is equipped with a cord having an equipment-grounding plug. The plug must be plugged into an appropriate outlet that is properly installed and grounded in accordance with all local codes and ordinances.

**DANGER** - Improper connection of the equipment-grounding conductor can result in a risk of electric shock. Check with a qualified electrician or serviceman if you are in doubt as to whether the product is properly grounded. Do not modify the plug provided with the product if it will not fit the outlet; have a proper outlet installed by a qualified electrician.

This product is for use on a nominal 110-volt dedicated circuit, and has a grounding plug that looks like the plug illustrated below. A temporary adapter that looks like the adapter illustrated below may be used to connect this plug to a 2-pole receptacle as shown below if a properly grounded outlet is not available. The temporary adapter should be used only until a properly grounded outlet, (shown below) can be installed by a qualified electrician. The green colored rigid ear-lug, or the like, extending from the adapter, must be connected to a permanent ground such as a properly grounded outlet box cover. Whenever the adapter is used, it must be held in place by a metal screw.



## Important Operation Instructions

- **NEVER** operate this treadmill without reading and completely understanding the results of any operational change you request from the computer.
- Understand that changes in speed and incline do not occur immediately. Set your desired work level on the computer console and release the adjustment key. The computer will obey the command gradually.
- **NEVER** use your treadmill during an electrical storm. Surges may occur in your household power supply that could damage treadmill components. Unplug the treadmill during an electrical storm as a precaution.
- Use caution while participating in other activities while walking on your treadmill; such as watching television, reading, etc. These distractions may cause you to lose balance which may result in serious injury.
- Do not use excessive pressure on console control keys. They are precision set to function properly with little finger pressure

## Safety Tether Cord

A safety tether cord is provided with this unit. It is a simple magnetic design that should be used at all times. It is for your safety should you fall or move too far back on the tread-belt. Pulling this safety tether cord will stop tread-belt movement.

### To Use:

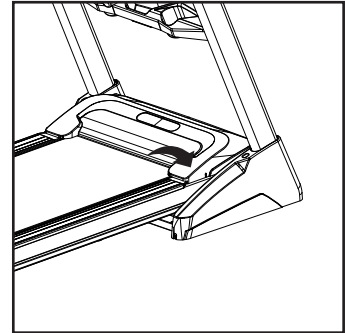
1. Place the magnet into position on the round metal portion of the console control head. Your treadmill will not start and operate without this. Removing the magnet also secures the treadmill from unauthorized use.
2. Fasten the plastic clip onto your clothing securely to assure good holding power.  
Note: The magnet has strong enough power to minimize accidental, unexpected stopping. The clip should be attached securely to make certain it does not come off. Be familiar with its function and limitations. The treadmill will stop, depending on speed, with a one to two step coast anytime the magnet is pulled off the console. Use the Stop / Pause switch in normal operation.

# Record Your Serial Number

Please record the serial number of this fitness product in the space provided below.

Serial Number:

Serial Number Location



## Register Your Purchase

The self-addressed product registration card must be completed in full and returned to Spirit Fitness. You can also go to <https://www.spiritfitness.com/residentialwarrantyregistration.html> under the Support tab to register online.



# XT485 PRE ASSEMBLY

---

## UNPACKING

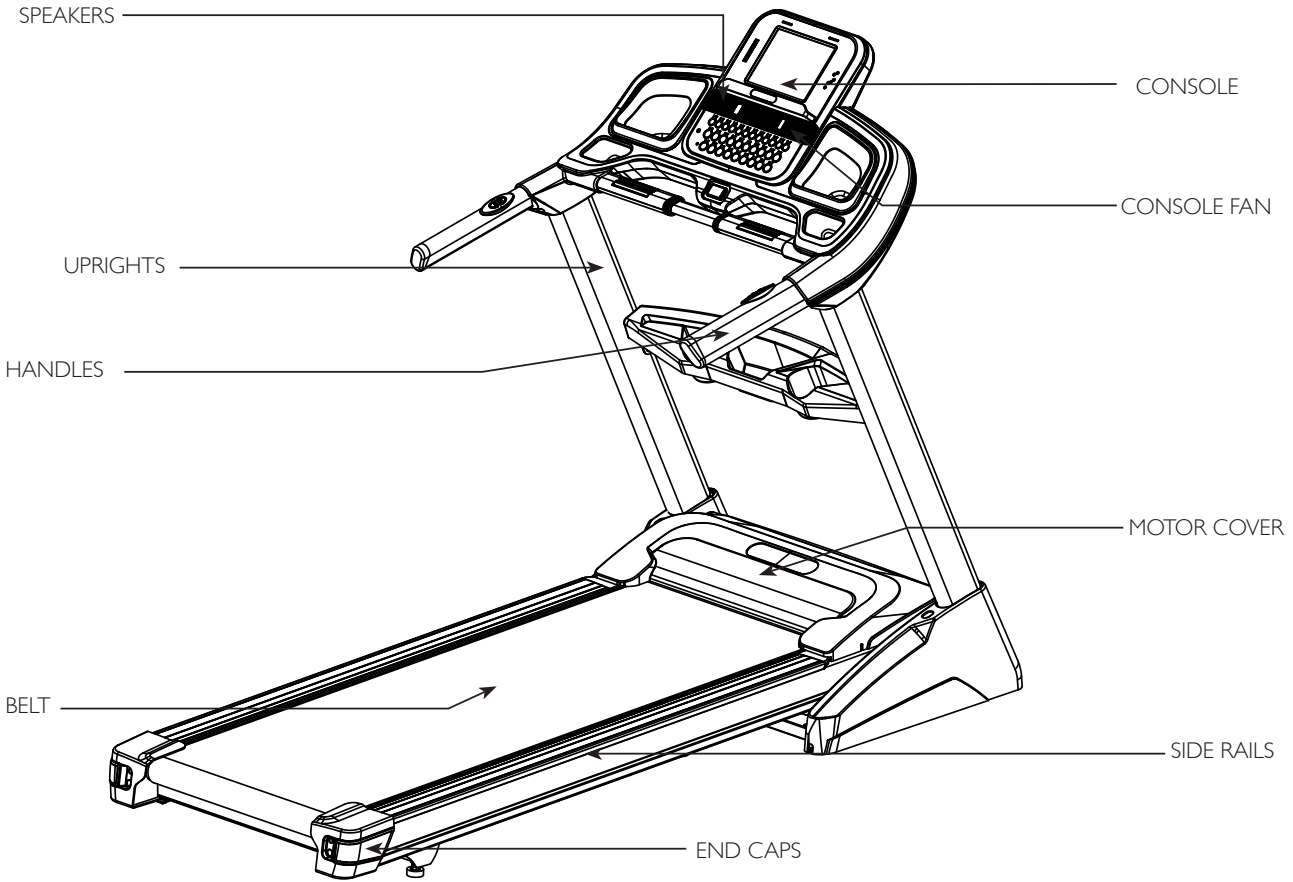
1. Cut the straps, then lift the box over the unit and unpack.
2. Carefully remove all parts from the carton and inspect for any damage or missing parts. If parts are damaged or missing, contact your dealer immediately.
3. Locate the hardware package. Remove the tools first. Remove the hardware for each step as needed to avoid confusion. The numbers in the instructions that are in parenthesis (#) are the item number from the assembly drawing for reference.

## TOOLS INCLUDED:

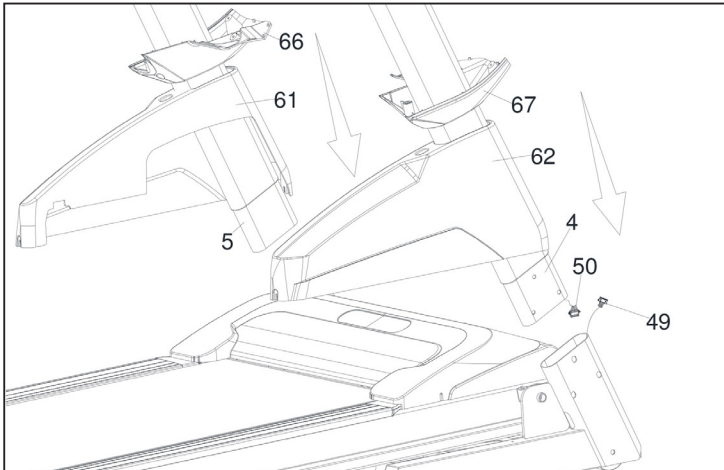
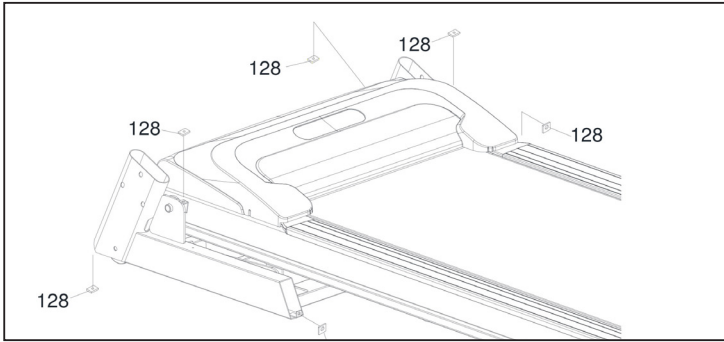
- L Allen Wrench
- Phillips Head Screwdriver
- Combination M5 Allen Wrench & Phillips Head Screw Driver

## PARTS INCLUDED:

- 1 Main Frame
- 2 Uprights
- 2 Console Mast Covers
- 2 Frame Base Covers
- 1 Console
- 1 Deck
- 1 Beverage Holder
- 1 Audio Cable
- 1 Power Cord
- 1 Lubricant
- 1 Hardware Kit



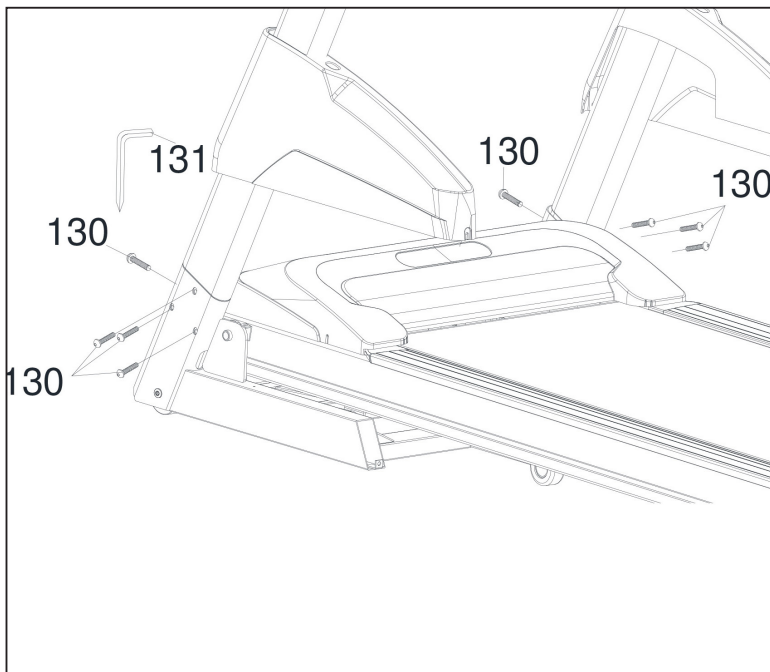
# XT485 STEP ONE



HARDWARE FOR STEP I			
PART	TYPE	DESCRIPTION	QTY
128	NUT CLIP	M5	6

1. Gather **HARDWARE FOR STEP I**.
2. Take 6 Speed **NUT CLIPS (128)** and attach them at the front and each side of the unit as shown left.
3. Guide the right upright through **FRAME BASE COVER RIGHT (62)** and **CONSOLE MAST COVER RIGHT (67)**.
4. Next take the **RIGHT UPRIGHT (4)** and attach the **MIDDLE COMPUTER CABLE (50)** to the **LOWER COMPUTER CABLE (49)**. Be careful not to pinch the cable or damage may occur to the system.
5. Slide the right upright (4) to sit into the frame base.
6. Repeat from step 3 on the left.

# XT485 STEP TWO

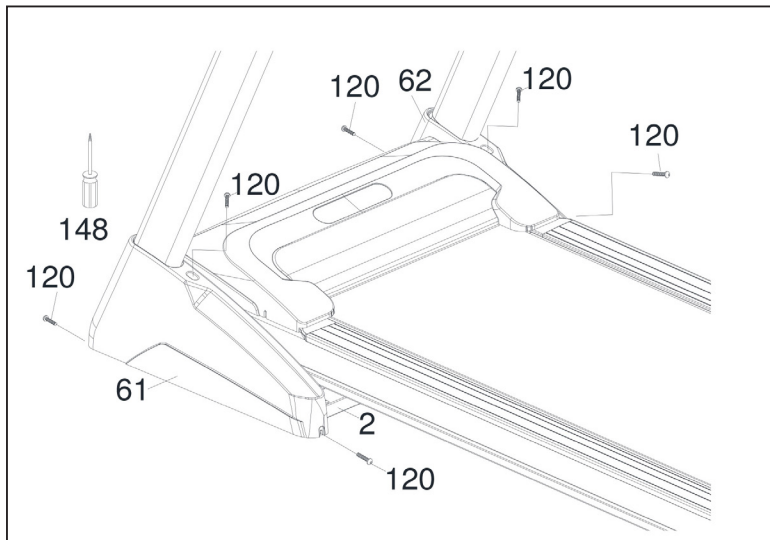


HARDWARE FOR STEP 2			
PART	TYPE	DESCRIPTION	QTY
130	BOLTS	5/16" X 15MM	8

1. Gather **HARDWARE FOR STEP 2**.
2. Having inserted **RIGHT AND LEFT UP-RIGHTS (4, 5)** into the **FRAME BASE (2)**, use the **COMBINATION M5 ALLEN WRENCH AND PHILLIPS HEAD SCREW DRIVER (131)** to tighten 8 **BUTTON HEAD SOCKET BOLTS (130)** securing the uprights to the frame base.

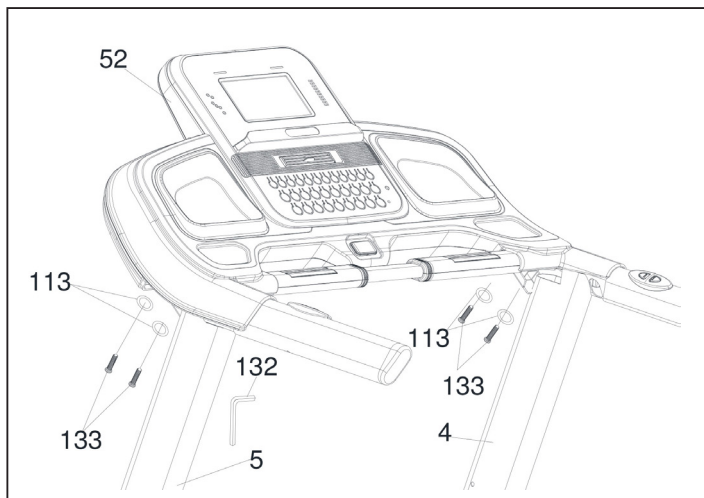
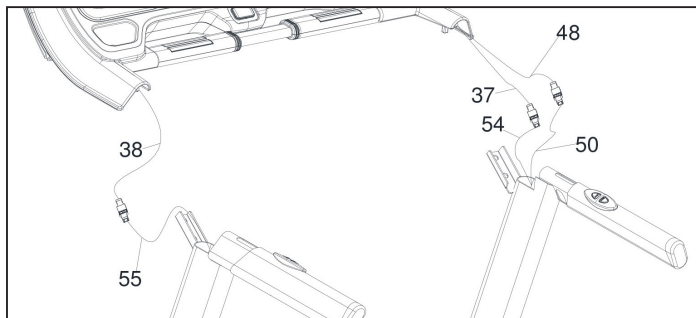
# XT485 STEP THREE

HARDWARE FOR STEP 3			
PART	TYPE	DESCRIPTION	QTY
120	TAPPING SCREWS	5"X 16MM	6



1. Gather **HARDWARE FOR STEP 3**.
2. Install **FRAME BASE COVER RIGHT AND LEFT (62, 61)** onto the **FRAME BASE (2)** using 6 **Tapping Screws (120)**. Tighten with the **PHILLIPS HEAD SCREW DRIVER (122)**.

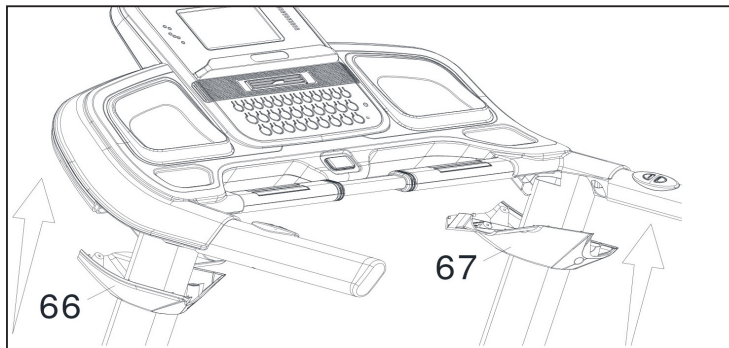
# XT485 STEP FOUR



HARDWARE FOR STEP 4			
PART	TYPE	DESCRIPTION	QTY
133	BOLTS	3/8" X 1-3/4"	4
113	SPLIT WASHER	Ø10 x 2.0T	4

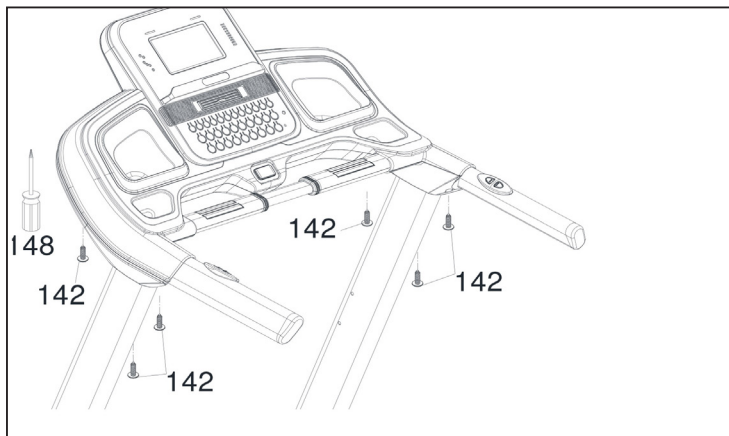
1. Gather **HARDWARE FOR STEP 4**
2. Connect the **SPEED ADJUSTMENT SWITCH W/ CABLE (54)** with the **UPPER SPEED CABLE (37)**.
3. Connect the **INCLINE ADJUSTMENT SWITCH W/ CABLE (55)** with the **UPPER INCLINE CABLE (38)**.
4. Connect the **MIDDLE COMPUTER CABLE (50)** to the **UPPER COMPUTER CABLE (48)**.
5. Be sure not to pinch any of the cables or damage may occur to the system.
6. Insert the **CONSOLE ASSEMBLY (52)** onto the **RIGHT AND LEFT UPRIGHTS (4, 5)** and secure with 4 **BUTTON HEAD SOCKET BOLTS (133)** and 4 **SPLIT WASHERS (113)**. Use the **ALLEN WRENCH (132)** to tighten.

# XT485 STEP FIVE

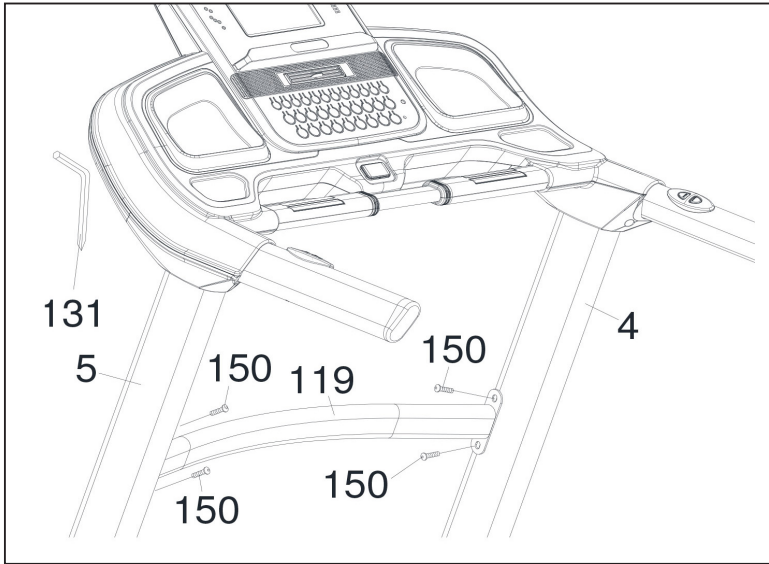


HARDWARE FOR STEP 5			
PART	TYPE	DESCRIPTION	QTY
142	SHEET METAL SCREWS	Ø3.5 × 16L	8

1. Gather **HARDWARE FOR STEP 5**.
2. Slide **CONSOLE MAST COVER RIGHT AND LEFT (67, 66)** up the uprights. Secure them with 8 **SHEET METAL SCREWS (142)** using the **PHILLIPS HEAD SCREW DRIVER (148)**.



# XT485 STEP SIX



HARDWARE FOR STEP 6			
PART	TYPE	DESCRIPTION	QTY
150	BOLTS	5/16" X 3/4"	4

1. Gather **HARDWARE FOR STEP 6**.
2. Place the **HANDRAIL SUPPORT (119)** between the **LEFT AND RIGHT UPRIGHTS (5, 4)** and use the **COMBINATION ALLEN WRENCH & PHILLIPS HEAD SCREW DRIVER (131)** to tighten 4 **BUTTON HEAD SOCKET BOLTS (150)**. Install the **BEVERAGE HOLDER (121)** onto the **HANDRAILS SUPPORT (119)**.



# XT485 CONSOLE OPERATION



# FEATURES

## Handrail Adjustments

The XT485 treadmill allows you to make speed and incline changes on the side handrails. You can also choose to turn these off if you frequently hold on to these rails. This is achieved by pressing the disable button on the right side of the lower portion of the console.

## Select Speed and Incline Buttons

You are able to set your speed and incline settings quickly by using the Select Keys on the console. Just press either Speed or Incline, then select either 2, or 3 digits and the treadmill will automatically adjust to that value. This saves time because you don't have to press and hold or hold a button down until reaching the desired value. The maximum value you may input for speed is 12.0 mph or 18.0 kmph and incline 15.0%

Examples: Press the Select Incline button, then 1, 0 = Incline Level 1.0

Press the Select Incline button, then 3, 5 = Incline Level 3.5

Press the Select Speed button, then 8, 0 = 8.0 mph or kmph

Press the Select Speed button, then 0, 8 = 0.8 mph or kmph

# CONSOLE

## Muscle Activation Figure

There is an anatomical figure located at the top of the console. This figure will light all areas that are activated when using the treadmill. These will light up during any of the programs. You can control which muscles are activated by changing the incline and swinging your arms. The pre-set programs will

determine which lower body muscles will be activated by automatically adjusting the incline. Generally the following guidelines hold true:

- The upper body LED's will light any time your hands aren't in contact with the pulse grip sensors
- The lower body lights will activate in three degrees of engagement: Green represents minimal muscle involvement, Amber represents medium involvement, and Red represents full or heavy activation.
- 0-4.5% Elevation: even muscle distribution, all four muscle groups will be Amber
- 5-15% Elevation: Quads are Amber and Glutes, Hamstrings, and Calves are Red

### **Message Center**

The console will display Pace, Calories burned, Time (elapsed or countdown), Distance traveled, Pulse, Speed, Incline, Program Name, # of Laps completed, and Segment Time. There is also a Speed & Incline profile graph that lets you see how hard you have worked and how challenging the upcoming segments will be.

### **Heart Rate % Profile**

The console LCD screen will display your current heart rate anytime a pulse is detected. The Bar Graph, located to the right of the LCD screen, will show your current heart rate % in relation to your projected maximum heart rate, which is determined by your age that you entered during the programming phase of any of the 10 programs. The significance of the bar graph colors are as follows:

- 50-60% of maximum is Amber
- 65-80% of maximum is Amber and Green
- 85-90% or more is Amber, Green, and Red

## Dot Matrix Center Display

Twenty columns of boxes (10 high) indicate each segment of a workout. The boxes only show an approximate level (resistance) of effort. They do not necessarily indicate a specific value - only an approximate percent to compare levels of intensity. In Manual Operation the resistance dot matrix window will build a profile "picture" as values are changed during a workout.

The speed and incline profiles will display half of the program at one time (10 columns). They will both scroll right to left.

## 1 / 4 Mile Track

The 1/4-mile track (one lap) will be displayed around the dot matrix window. The flashing segment indicates your progress. Once the 1/4-mile (Metric - 0.4k) is complete this feature will begin again. The Lap track will move in a counterclockwise direction. There is a lap counter in the message window for monitoring your distance.

## Pulse Grip Feature

The Pulse (Heart Rate) window will display your current heart rate in beats per minute during the workout. You must use both stainless steel sensors on the stationary grips or the heart rate transmitter chest strap to display your pulse. Pulse value displays anytime the upper display is receiving a Pulse signal. You may not use the Pulse Grip feature while in Heart Rate Programs.

**Note:** Refer to Important Safety Instructions (page 4) concerning Pulse Grip operation.

## Calorie Display

Displays the cumulative calories burned at any given time during your workout.

**Note:** This is only a rough guide used for comparison of different exercise sessions, and is not to be used for medical purposes.

## Speakers

The console has built-in Speakers and an audio input jack. There is no volume control on the console. The volume must be controlled on the Audio Source.

## Quick Start

1. Press and release the **Start** key to wake display up (if not already on).  
**Note:** Installing the tether key will also wake up the console.
2. Press and release the **Start** key to begin belt movement, at .5 mph, then adjust to the desired speed using the **Speed + / – or Fast/Slow keys** (console or hand rail). You may also use the **Select Speed key**, then 0 through 9 to adjust the speed.
3. To slow the tread-belt press and hold the “–” key (console or hand rail) to the desired speed. You may also press the Select Speed adjust keys, 0 through 9.
4. To adjust the Incline level, pressed and hold the **Incline + / – or Up/Down keys**; you may also adjust to the desired incline by pressing the **Select Incline key** and then 0 through 9.
5. To stop the tread-belt press and release the **Stop** key.

## Pause/Stop/Reset Feature

1. When the treadmill is running the pause feature may be utilized by pressing the **Stop** key once. This will slowly decelerate the tread-belt to a stop. The incline will go to zero percent. The Time,

Distance and Calorie readings will hold while the unit is in the pause mode. After 5 minutes the display will reset and return to the start up screen.

2. To resume your exercise, when in Pause mode, press the **Start** key. The speed and incline will return to their previous settings.
  - Pause is executed when the **Stop** button is pressed once. If the **Stop** key is pressed a second time, the program will end and a workout summary will be displayed. If the Stop button is pressed a third time, the console will return to the idle mode (start up) screen. If the **Stop** button is held down for more than 3 seconds the console will reset.

## Incline Feature

- Incline may be adjusted anytime after belt movement.
- Press and hold the **Incline + / – or Up/Down keys** (console or hand rail) to achieve desired level of effort. You may also choose a more rapid increase / decrease by selecting the **Select Incline key**, then 0 through 9.
- The display will indicate incline percent in increments of .5 as adjustments are made.
- The incline will return to zero unless the main power switch or safety key are turned off while incline is at a higher setting.

## Handrail Buttons Disable Switch

To the right of the Enter button there is a Handrail control switch and an indicator light next to it when the indicator light is lit, the handrail switches are disabled. This allows you to use the full length of the handrails without fear of activating the speed or elevation controls.

## To Turn Treadmill Off

1. Display will automatically turn off (go to sleep) after 30 minutes (no key operations). The treadmill will draw very little current in display mode (about as much as your television when it is turned off).

2. Remove the tether cord.
3. Turn off the main switch on the front of the treadmill, below the motor cover.

## Program Keys

The program keys are used to preview each program. When you first turn the console on you may press each program key to preview what the program profile looks like. If you decide that you want to try a program, press the corresponding program key and then press the **Enter** key to select the program and enter into the data-setting mode.

The treadmill has a built in heart rate monitoring system. Simply grasping the hand pulse sensors on the stationary handle bars or wearing the heart rate transmitter (see Using Heart Rate Transmitter section) will start the Heart Icon blinking (this may take a few seconds). The Pulse Display Window will display your heart rate, or Pulse in beats per minute.

The console includes a built-in fan to help keep you cool. To turn the fan on, press the key on the left side of the console.

## Selecting a Program

The XT485 offers nine factory preset-programs, two user defined programs and one Manual program. Each preset program has a maximum speed level that is displayed when a desired workout is chosen. The maximum speed that the particular program will achieve will be displayed in the Speed window. Also included are two user programs (**User 1** and **User 2**) for custom workouts.

1. Press the desired **Program (Hill, Fat burn, Cardio, Strength, or Interval)** key. Press **Enter** to select the program. The display will prompt you through the programming or you can just press **Start** to begin the program with default values.
2. If **Enter** was pressed, the **Message center** will now be blinking a value, indicating your **Age** (default is 35). Entering your correct age affects the heart rate Bar Graph Display and the Heart Rate programs. Use the **+ or – keys** to adjust, then press **Enter**. Your age determines your recommended maximum heart rate. Since the Bar Graph Display and the Heart Rate features are based on a percentage of your maximum heart rate, it is important to enter the correct age for these features to work properly.
3. The Message center will now be blinking a value, indicating your **Body Weight** (default is 150 lbs.). Entering the correct body weight will affect the calorie count. Use the **+ or – keys** to adjust, then press **Enter**.

*A note about the Calorie display:* No exercise machine can give you an exact calorie count because there are too many factors which determine exact calorie burn for a particular person. Even if someone is the exact same body weight, age and height, their calorie burn may be very different than yours. The Calorie display is to be used as a reference only to monitor improvement from workout to workout.

4. The Message Center will be blinking a value, indicating **Time** (the default value is 30 minutes). You may use any of the **+ or - keys** to adjust the time. After adjusting, or to accept the default, press **Enter**.

(**Note:** You may press start at any time during the programming to start the program).

5. The Message Center will now be blinking the preset top speed of the selected program (3 mph or 5.0 kmph). Use the **Speed + or – keys** to adjust, then press **Enter**. Each program has various speed changes throughout; this allows you to limit the highest speed the program can reach.



6. The Message Center will be blinking the preset top incline of the selected program. Use the **Incline + / - keys** to adjust, then press **Enter**.

You are now done programming data and may press **Start** to begin your workout or **Stop** to go back one level to change data entered in the programming phase.

## Programmable Features

### Custom User Defined Programs

1. Press the **User 1-2 key** once for **User 1** or twice for **User 2** then press **Enter**. Note that the dot matrix display portion will have a single row of segments at the bottom (Unless there is a previously stored program).
  2. If there is a program stored under the button that is pressed, it will be retrieved. If not, you have the option of programming in your first name. The message window will display and flash the letter "A". To change it, press the **Speed +** key, then "B" will be displayed; if the **Speed -** key is pressed, the letter "Z" will be displayed. After selecting the appropriate letter, press enter. The letter "A" will again be displayed and blinking. Repeat the procedure until all letters of your first name are programmed (7 characters maximum). When your name is displayed, press Stop and it will be stored under either **User 1** or **User 2**.
  3. The Message Center will now be blinking an Age value. Use the **Incline +/- keys** or **Speed +/- keys** to adjust. Press **Enter**. This is a must to continue even if age is not adjusted.
  4. The Message Center will now be blinking a bodyweight value. Enter your bodyweight and press **Enter**.
  5. Note the clock/Message Center is flashing. Use the **+ / -** keys to adjust up from 30 minutes (if desired). Press the **Enter** key. This is a must to continue even if time is not adjusted.
  6. The first column (segment) will now be blinking. Using the **Speed +/- keys** or **Select Keys**, adjust the speed level to your desired effort for the first segment then press **Enter**. The second column will now be blinking. Repeat the above process until all segments have been programmed. The first column will be blinking again. This is for the incline programming. Repeat the above process to program all segments for incline.
- **Note: While in a User program, if you change the speed, all segment speeds from there on will also change.**  
Examples: If you increase your current speed 1 mph, the remaining segment speeds will increase by 1 mph. If you decrease your current speed .5 mph, the remaining segment speeds will decrease by .5 mph, etc.

7. Press the **Start** button to begin the workout and also save the program to memory.
8. The profile picture will be re-scaled to fit in the window, but the actual speed and incline settings will remain the same as programmed.

## CALORIE PROGRAM

1. Press the Calorie key to select this program. The display will prompt you through the programming.
2. The Message Center will now be blinking a value, indicating your Age (default is 35). Entering your correct age affects the heart rate Bar Graph Display and the Heart Rate programs. Use the **+ or - keys** to adjust, then press **Enter**. Your age determines your recommended maximum heart rate. Since the Bar Graph Display and the Heart Rate features are based on a percentage of your maximum heart rate, it is important to enter the correct age for these features to work properly.
3. The Message Center will now be blinking a value, indicating your Body Weight (default is 150). Entering the correct body weight will affect the calorie count. Use the **+ or - keys** to adjust, then press **Enter**.
  - **A note about the Calorie display:** No exercise machine can give you an exact calorie count because there are too many factors which determine exact calorie burn for a particular person. Even if someone is the exact same body weight, age and height, their calorie burn may be very different than yours. The Calorie display is to be used as a reference only to monitor improvement from workout to workout.
4. The Message Center displays "Use the **speed + or - keys** to adjust Calorie burn" (default is 300) after adjusting, press **Enter**.
5. The Message Center will now be blinking the preset top speed of the selected program (3 mph or 5 kmph). Use the **+ or - keys** to adjust, then press **Enter**. Each program has various speed changes throughout; this allows you to limit the highest speed the program can reach.
6. The Message Center will be blinking the preset top incline of the selected program (1.0%). Use the **speed + or - keys** to adjust, then press **Enter**.
7. The Message Center displays the Program Time (a value that was determined by the data you entered in steps 2-6); Press **Start** to accept the calculated Time or **Enter** to return to steps 3-6 and change the data, which will recalculate the Program Time.
  - When the **Start** key is pressed, the program begins with a 3:00 warm up (1:00 @ 1mph/kmph, 1:00 @ 2mph/kmph, and 1:00 @ 3mph/kmph) or you have the option of pressing the **Start** again to bypass and begin the workout.

- When the program begins both the Calorie and Time windows will count down to 0. If the Time expires before calories burned reaches 0, the Time window will begin accumulated time, until Calories reach 0.
- After the program has ended, there will be a 3:00 cool down (1:00 @ 3mph/kmph, 1:00 @ 2mph/kmph, and 1:00 @ 1mph/kmph) or you have the option of pressing the **Stop** key to end the workout.

## FUSION PROGRAM

1. Press the **Fusion** key. The display will prompt you through the programming.
2. The Message Center will now be blinking a value, indicating your Age (default is 35). Entering your correct age affects the heart rate Bar Graph Display and the Heart Rate programs. Use the **speed + or - keys** to adjust, then press **Enter**. Your age determines your recommended maximum heart rate. Since the Bar Graph Display and the Heart Rate features are based on a percentage of your maximum heart rate, it is important to enter the correct age for these features to work properly.
3. The Message Center will now be blinking a value, indicating your Body Weight (default is 150). Entering the correct body weight will affect the calorie count. Use the **+ or - keys** to adjust, then press **Enter**.
  - **A note about the Calorie display:** No exercise machine can give you an exact calorie count because there are too many factors which determine exact calorie burn for a particular person. Even if someone is the exact same body weight, age and height, their calorie burn may be very different than yours. The Calorie display is to be used as a reference only to monitor improvement from workout to workout. The calorie count displayed in this program won't be accurate because the machine can't calculate calories expended while strength training
4. The Message Center will now be blinking the preset top speed of the selected program (3 mph or 5 kmph). Use the **speed + or - keys** to adjust, then press **Enter**. Each program has various speed changes throughout; this allows you to limit the highest speed the program can reach.
5. The Message Center will be blinking the preset top incline of the selected program (1.0%). Use the **speed + or - keys** to adjust, then press **Enter**.
6. The Message Center will be blinking the # of intervals desired (default is 10; you may select 10, 20, or 30). Use the **speed + or - keys** to adjust, then press **Enter**.
7. The Message Center will be blinking the desired Interval time (default is 1:00). The time you select will be the duration

of both the cardio & strength intervals.

Note: on average you will complete 15-20 repetitions of the strength exercise in a 0:30 interval. As a general rule, the longer the interval, the less weight (dumbbells) and speed (treadmill) required; use the **+ or - keys** to adjust, then press **Enter**.

8. The Message Center will be blinking the desired recovery time the default setting is 0:30 you desire after completing both the cardio & strength intervals. Use the **+ or - keys** to adjust, then press **Enter**

## Program Example:

- The user selects 10 intervals (5 cardio and 5 strength) with the following interval durations – length of each cardio & strength interval is 0:30, recovery interval is 1:00
- Program begins with a 3:00 warm up (1:00 @ 1mph/kmph, 1:00 @ 2mph/kmph, and 1:00 @ 3mph/kmph)
- 1st cardio interval begins, lasting 0:30; console counts down to 0:00 and the Message Center displays “STRENGTH INTERVAL 1 BEGIN DUMBBELL ROW”
- User steps off of the treadmill to perform the strength exercise. The console counts down to 0:00 and beeps 3x signaling the user to get back on the treadmill.
- Console displays “PRESS START TO BEGIN RECOVERY”; user walks @ 2mph/kmph for 1:00
- Console then displays 2nd cardio interval and the process proceeds until the user has performed 5 cardio, strength, and recovery intervals; the 5 strength exercises will be performed sequentially as listed in this manual.
- The last 2:00 are a Cool Down phase with the user walking on the treadmill @ 2 mph/kmph
- If 20 intervals was selected, you would perform each strength exercise twice, before moving on to the next exercise. If 30 intervals is selected, you will perform each exercise once, then repeat the sequence of all 5 exercises a 2nd & 3rd time.

### Caution:

Exercises that require dumbbell use - Select a pair of dumbbells that you will be able to safely and effectively maneuver over the strength interval time you have chosen.

# DUMBBELL BENT OVER ROW

EMPHASIS: MID/UPPER BACK & FRONT OF ARMS

1. Grasp the dumbbells with an overhand grip and arms fully extended in front of thighs; feet are spaced shoulder width apart
2. Maintain a slightly arched lower back throughout the exercise (see side view)
3. Begin the exercise by drawing your elbows up and out until there is a 90° bend in your elbows
4. Slowly lower the dumbbells back to the start position
5. Repeat this sequence for the duration of the strength interval

# PUSH UP

EMPHASIS: CHEST, SHOULDERS, & BACK OF ARMS

There are two variations of this exercise. If you aren't able to perform the exercise, place your knees on the floor, a padded mat, or a pillow. Also, a wider hand position places more emphasis on the chest and shoulder muscles, while a narrower hand position places more emphasis on the Tricep muscles (back of the arm)

1. Place your hands on the floor or a set of dumbbells (Caution: be aware that the dumbbells may roll and result in injury, especially if the ends are round); draw your stomach muscles towards your spine to maintain a straight line between your ankles and shoulders
2. Begin with your elbows bent at 90°
3. Fully straighten your arms
4. Repeat this sequence for the duration of the strength interval.

# DUMBBELL SHOULDER PRESS

EMPHASIS: SHOULDERS

1. Hold the dumbbells at shoulder height with an overhand (palms facing forward) or neutral (palms facing one another) grip

2. Press the dumbbells straight overhead until your arms are fully extended
3. Slowly lower to the start position
4. Repeat this sequence for the duration of the strength interval

## DUMBBELL TRICEP OVERHEAD EXTENSION

EMPHASIS: BACK OF ARMS

1. Hold the dumbbells at shoulder height behind your head with a neutral grip (palms facing one another); your elbows should be pointed straight ahead
2. Raise the dumbbells overhead until your arms are fully extended; your upper arms should remain stationary, pivoting at the elbows
3. Slowly lower to the start position
4. Repeat this sequence for the duration of the strength interval

## DUMBBELL BICEP CURL

EMPHASIS: FRONT OF ARMS

1. Hold the dumbbells with an underhand grip (palms facing forward) beside your thighs
2. Tuck your upper arms into your ribcage
3. Curl the dumbbells to shoulder height by pivoting at your elbows
4. Slowly lower to the start position
5. Repeat this sequence for the duration of the strength interval

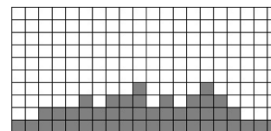
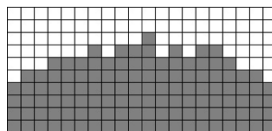
### Preset Programs

The treadmill has seven different programs that have been designed for a variety of workouts. These five programs have factory preset work level profiles for achieving different goals.

## Hill

This program follows a triangle or pyramid type of gradual progression from approximately 10% of maximum effort (the level that you chose before starting this program) up to a maximum effort which lasts for 10% of the total workout time, then a gradual regression of resistance back to approximately 10% of maximum effort

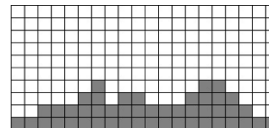
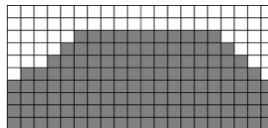
Incline: The deck elevation is a more gradual and sustained progression. Maximum elevation is in the middle of the workout and lasts for 10% of the duration.



## Fat Burn

This program follows a quick progression up to the maximum resistance level (default or user input level) that is sustained for 2/3 of the workout. This program will challenge your ability to sustain your energy output for an extended period of time.

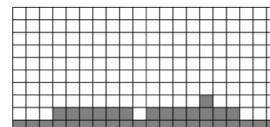
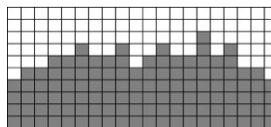
Incline: The deck elevation is a quick and sustained progression up to the maximum value (default or user input) for 90% of the workout duration.



## Cardio

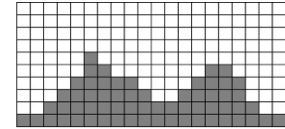
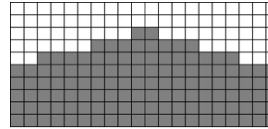
This program presents a quick progression up to near maximum resistance level (default or user input level). It has slight fluctuations up and down to allow your heart rate to elevate, and then recover repeatedly, before beginning a quick cool down. This will build up your heart muscle and increase blood flow and lung capacity

Incline: The elevation in this program is moderate. There are several elevation spikes at different points of the workout. Segment 15 is maximum elevation for this program.



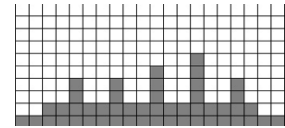
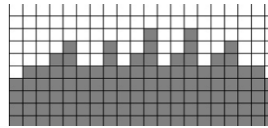
## Strength

This program has a gradual progression of resistance up to 100% of maximum effort that is sustained for 25% of workout duration. This will help build strength and muscular endurance in the lower body and glutes. A brief cool down follows. Incline: There is a quick climb to a moderate, sustained elevation that lasts the majority of the workout length.



## Interval

This program takes you through high levels of intensity followed by recovery periods of low intensity. This program utilizes and develops your “Fast Twitch” muscle fibers which are used when performing tasks that are intense and short in duration. These deplete your oxygen level and spike your heart rate, followed by periods of recovery and heart rate drop to replenish oxygen. Your cardiovascular system gets programmed to use oxygen more efficiently.



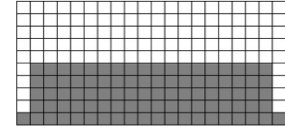
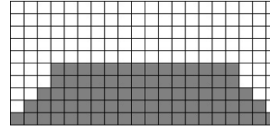
Incline: This program will spike similar to the speed profile, but in different segments (columns); this means that all of your lower extremity muscles will be equally challenged throughout this program. The incline alternates between 25 & 65 % of maximum elevation.

## Calories

Resistance: This program follows a quick progression up to the maximum speed level (default or user input level) that is sustained for 2/3 of the workout. This program will challenge your ability to sustain your energy output for an extended period of time.



Incline: The treadmill elevation is a quick and sustained progression up to the maximum value (default or user input) for 90% of the workout duration.



## Fusion

(Speed/Incline profile graphs are similar to the Interval Program)

Resistance: This program takes you through high levels of cardio & strength intensity followed by recovery periods of low intensity. This program utilizes and develops your “Fast Twitch” muscle fibers which are used when performing tasks that are intense and short in duration. These deplete your oxygen level and spike your heart rate, followed by periods of recovery and heart rate drop to replenish oxygen. Your cardiovascular system gets programmed to use oxygen more efficiently.

Incline: This program will spike similar to the speed profile, but in different segments (columns); this means that all of your lower extremity muscles will be equally challenged throughout this program. The incline alternates between 25 & 65 % of maximum elevation.

## Heart Rate Programs

The old motto, “no pain, no gain”, is a myth that has been overpowered by the benefits of exercising comfortably. A great deal of this success has been promoted by the use of heart rate monitors. With the proper use of a heart rate monitor, many people find that their usual choice of exercise intensity was either too high or too low and exercise is much more enjoyable by maintaining their heart rate in the desired benefit range.

To determine the benefit range in which you wish to train, you must first determine your Maximum Heart Rate. This can be accomplished by using the following formula:  $220 - \text{your age}$ . This will give you the Maximum Heart Rate (MHR) for someone of your age. To determine the effective heart rate range for specific goals you simply calculate a percentage of your MHR. Your Heart rate training zone is

50% to 90% of your maximum heart rate. 60% of your MHR is the recommended for burning fat while 80% is recommended for strengthening the cardio vascular system. This 60% to 80% is the zone to stay in for maximum benefit.

For someone who is 40 years old their target heart rate zone is calculated:

$$220 - 40 = 180 \text{ (maximum heart rate)}$$

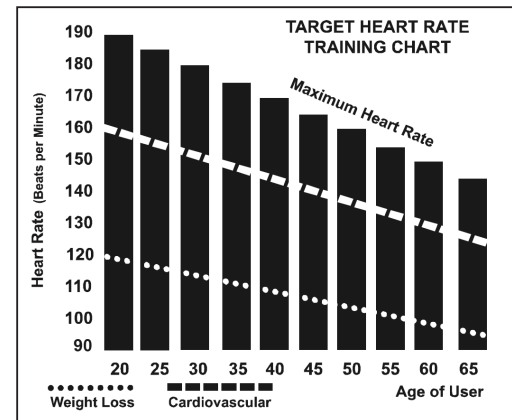
$$180 \times .6 = 108 \text{ beats per minute (60\% of maximum)}$$

$$180 \times .8 = 144 \text{ beats per minute (80\% of maximum)}$$

So for a 40 year old the training zone would be 108 to 144 beats per minute.

If you enter your age during programming the console will perform this calculation automatically. Entering your age is used for the Heart Rate programs. After calculating your MHR you can decide upon which goal you would like to pursue.

The two most popular reasons for, or goals, of exercise are cardiovascular fitness (training for the heart and lungs) and weight control. The black columns on the chart above represent the MHR for a person whose age is listed at the bottom of each column. The training heart rate, for either cardiovascular fitness or weight loss, is represented by two different lines that cut diagonally through the chart. A definition of the lines' goal is in the bottom left-hand corner of the chart. If your goal is cardiovascular fitness or if it is weight loss, it can be achieved by training at 80% or 60%,



respectively, of your MHR on a schedule approved by your physician. Consult your physician before participating in any exercise program.

With all Spirit Fitness Heart Rate programs you may use the heart rate monitor feature without using the Heart Rate program. This function can be used during manual mode or during any of the nine different programs. The Heart Rate program automatically controls resistance at the pedals.

## Rate of Perceived Exertion

Heart rate is important but listening to your body also has a lot of advantages. There are more variables involved in how hard you should workout than just heart rate. Your stress level, physical health, emotional health, temperature, humidity, the time of day, the last time you ate and what you ate, all contribute to the intensity at which you should workout. If you listen to your body, it will tell you all of these things.

The rate of perceived exertion (RPE), also known as the Borg scale, was developed by Swedish physiologist G.A.V. Borg. This scale rates exercise intensity from 6 to 20 depending upon how you feel or the perception of your effort.

The scale is as follows:

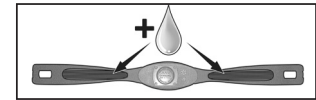
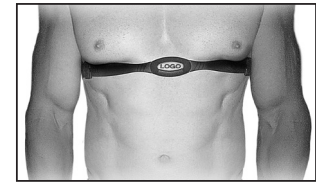
### Rating Perception of Effort

6 Minimal	10 Very light +	14 Somewhat hard +	18 Very hard +
7 Very, very light	11 Fairly light	15 Hard	19 Very, very hard
8 Very, very light +	12 Comfortable	16 Hard +	20 Maximal
9 Very light	13 Somewhat hard	17 Very hard	

You can get an approximate heart rate level for each rating by simply adding a zero to each rating. For example a rating of 12 will result in an approximate heart rate of 120 beats per minute. Your RPE will vary depending upon the factors discussed earlier. That is the major benefit of this type of training. If your body is strong and rested, you will feel strong and your pace will feel easier. When your body is in this condition, you are able to train harder and the RPE will support this. If you are feeling tired and sluggish, it is because your body needs a break. In this condition, your pace will feel harder. Again, this will show up in your RPE and you will train at the proper level for that day.

# Wearing The Chest Strap

1. Attach the transmitter to the elastic strap using the interlocking key.
2. Adjust the strap as tightly as possible as long as the strap is not too tight to remain comfortable.
3. Position the transmitter with the logo centered in the middle of your torso facing away from your chest (some people must position the transmitter slightly left of center). Attach the final end of the elastic strap by inserting the round end and, using the locking parts, secure the transmitter and strap around your chest.
4. Position the transmitter directly below the pectoral muscles.
5. Sweat is the best conductor to measure very minute heart beat electrical signals. However, plain water can also be used to pre-wet the electrodes (2 ribbed oval areas on the reverse side of the belt and both sides of the transmitter). It's also recommended that you wear the transmitter strap a few minutes before your work out. Some users, because of body chemistry, have a more difficult time in achieving a strong, steady signal at the beginning. After "warming up", this problem lessens.
6. Your workout must be within range - distance between transmitter/receiver – to achieve a strong steady signal. The length of range may vary somewhat but generally stay close enough to the console to maintain good, strong, reliable readings. Wearing the transmitter directly on bare skin assures you of proper operation. If you wish, you may wear the transmitter over a shirt. To do so, wet the areas of the shirt that the electrodes will rest upon.



**Note:** The transmitter is automatically activated when it detects activity from the user's heart. Additionally, it automatically deactivates when it does not receive any activity. Although the transmitter is water resistant, moisture can have the effect of creating false signals, so you should take precautions to completely dry the transmitter after use to prolong battery life (estimated transmitter battery life is 2500 hours). The replacement battery is Panasonic CR2032.

## Using the Spirit FIT App

In order to help you achieve your exercise goals, your new exercise machine comes equipped with a Bluetooth® transceiver that will allow it to interact with selected phones or tablet computers via the Spirit Fit App.

Just download the free Spirit Fit App from the Apple Store or Google Play, and then follow the instructions in the App to sync with your exercise machine. Now you can view current workout data in three different Display screens on your device. You can also easily switch back and forth from the workout display view to internet/social media/email sites via icons on the display screen. When your workout is finished, the data is automatically saved to the built-in personal calendar for future reference.

The Spirit Fit App also allows you to sync your workout data with one of many fitness cloud sites we support: iHealth, MapMyFitness, Record or Fitbit, with more to come.

Syncing the App with your exercise machine:

1. Download the App.
2. Open the App on your device (phone or tablet) and make sure Bluetooth® is enabled on your device (phone or tablet).
3. In the App click the icon in the top left corner to search for your Spirit equipment (shown right).
4. After the equipment is detected, click Connect. When the App and equipment are synced, the Bluetooth® icon on the equipment's console display will light up. You may now start using your new Spirit Fitness product.
5. When you workout is finished, the data is automatically saved and you will be prompted to sync your data with each available fitness cloud site. Please note you will have to download the applicable compatible fitness App, such as iHealth, MapMyFitness, Record, Fitbit, etc, in order for the icon to be active and available.



**\*Note:** Your device will need to be running on a minimum operating system of iOS 7 or Android 4.4 for the Spirit Fit App to operate properly.

# Erratic Operation

Caution! Do not use this treadmill for Heart Rate programs unless a steady, solid Actual Heart Rate value is being displayed. High, wild, random numbers being displayed indicate a problem.

Areas to look for interference which may cause erratic heart rate:

1. Treadmill is not grounded
2. Microwave ovens, TV's, small appliances, etc.
3. Fluorescent lights.
4. Some household security systems.
5. Perimeter fence for a pet.
6. Some people have problems with the transmitter picking up a signal from their skin. If you have problems try wearing the transmitter upside down. Normally the transmitter will be oriented so the Spirit Fitness logo is right side up.
7. The antenna that picks up your heart rate is very sensitive. If there is an outside noise source, turning the whole machine 90 degrees may de-tune the interference.
8. Another Individual wearing a transmitter within 3' of your machine's console.

If you continue to experience problems contact your dealer.

# Heart Rate Program Operation

*Note: You must wear the heart rate transmitter strap for these programs*

Both programs operate the same, the only difference is that **HRI** is set to 60% and **HR2** is set to 80% of the maximum heart rate. They both are programmed the same way. To start an HR program follow the instructions below or just select the **HRI** or **HR2** program, then the Enter button and follow the directions in the **Message Center**.

After selecting your heart rate target, the program will attempt to keep you at or within 3 - 5 heart beats per minute of this value. Follow the prompts in the **Message Center** to maintain your selected heart rate value.

1. Press the **HR 1-2 key** once (60% of max heart rate default) or twice (80% of max heart rate default) key, then press the **Enter** key

2. The Message Center will ask you to enter your Age. You may enter your age, using the **Speed + or - keys**, then press the **Enter** key to accept the new value and proceed on to the next screen.
3. You are now asked to enter your **Weight**. You may adjust the weight value using the **Speed + or - keys**, then press **Enter** to continue.
4. Next is **Time**. You may adjust the time using the **Speed + or - keys** and press **Enter** to continue.
5. Now you are asked to adjust the Heart Rate Target. This is the heart rate level you will strive to maintain during the program. Adjust the level using the **Speed + or - keys**, then press **Enter**.  
**Note:** The heart rate that appears is based on the % you accepted in Step 1. If you change this number it will either increase or decrease the % from Step 1.
6. Now you are finished editing the settings and can begin your workout by pressing the **Start** key. You can also go back and modify your settings by pressing the **Stop** key.  
**NOTE:** At any time during the editing of Data you can press the **Stop** key to go back one screen.
7. If you want to increase or decrease the workload at any time during the program press the **Incline + or - key** on the console or left handlebar. This will allow you to change your target heart rate at any time during the program.
8. During the **HR 1** or **HR 2** programs you will be able to scroll through the data in the **Message Center** by pressing the **Enter** key.

## GENERAL MAINTENANCE

### Belt/Deck

Your treadmill uses a very high-efficient low-friction deck. Performance is maximized when the deck is kept as clean as possible. Use a soft, damp cloth, or paper towel, wipe the edge of the belt and the area between the belt edge and the frame. Also reach as far as practical directly under the belt edge. This should be done once a month to extend belt and deck life. A mild soap and water solution along with a nylon scrub brush will clean the top of the textured belt. Allow to dry before using.

This occurs during normal break-in or until the belt stabilizes. Sometimes the black dust from the belt will appear on the floor behind the treadmill, this is normal.



## General Cleaning

Dirt, dust, and pet hair can block air inlets and accumulate on the running belt. Please vacuum underneath your treadmill on a monthly basis to prevent excess build-up of dirt that can get sucked up and get into the inner workings under the motor cover. Once a year, you should remove the black motor hood and vacuum out dirt that may accumulate.

**UNPLUG POWER CORD BEFORE THIS TASK.**

## Belt Adjustments

Tread-belt Tension Adjustment - Belt tension is not critical for most users. It is very important though for joggers and runners in order to provide a smooth, steady running surface. Adjustment must be made from the rear roller with the 6 mm Allen wrench provided in the parts package. The adjustment bolts are located at the end of the step rails as shown in the diagram below.

Tighten the rear roller only enough to prevent slippage at the front roller. Turn the tread-belt tension adjusting bolts 1/4 turn each and inspect for proper tension by walking on the belt and making sure it is not slipping or hesitating with each step. When an adjustment is made to the belt tension, you must be sure to turn the bolts on both sides evenly or the belt could start tracking to one side instead of running in the middle of the deck.

**DO NOT OVERTIGHTEN** – Over tightening will cause belt damage and premature bearing failure. If you tighten the belt a lot and it still slips, the problem could actually be the drive belt - located under the motor cover - that connects the motor to the front roller. If that belt is loose it feels similar to the walking belt being loose. Tightening the motor belt should be done by a trained service person.

## Treadbelt Tracking Adjustment

The treadmill is designed so that the tread-belt remains reasonably centered while in use. It is normal for some belts to drift near one side while in use, depending on a user's gait and if they favor one leg. But if during use the belt continues to move toward one side, adjustments are necessary.

## Setting Tread-Belt Tracking

A 6 mm Allen wrench is provided for this adjustment. Make tracking adjustments on the left side bolt. Set belt speed at 3 mph ( 5 kmph). Be aware that a small adjustment can make a dramatic difference which may not be apparent right away. If the belt is too close to the left side, then turn the bolt only a 1/4 turn to the right (clockwise) and wait a few minutes for the belt to adjust itself.

Continue to make 1/4 turns until the belt stabilizes in the center of the running deck. If the belt is too close to the right side, turn the bolt counter-clockwise. The belt may require periodic tracking adjustment depending on use and walking/running characteristics. Some users may affect tracking differently. Expect to make adjustments as required to center the tread-belt. Adjustments will become less of a maintenance concern as the belt is used. Proper belt tracking is an owner responsibility common with all treadmills.

### **ATTENTION:**

**DAMAGE TO THE RUNNING BELT RESULTING FROM IMPROPER TRACKING / TENSION ADJUSTMENTS IS NOT COVERED UNDER THE WARRANTY.**

## Belt/Deck Lubrication Procedure

These First, you want to clean between the belt and deck to remove any debris that may be trapped. Use a clean, non-fraying rag, t-shirt, or light towel. Halfway between the end of the treadmill and motor cover, shove the garment under the belt until you can grasp it on both sides. Drag the garment the length of the entire belt 1-2 times. Remove the garment. Do not lubricate with anything other than Spirit Fitness approved lubricant. Your treadmill comes with one tube of “Lube” and extra tubes can be ordered directly from Spirit Fitness or your authorized Spirit Fitness dealer. You may also use a Lube-n-walk kit that can be purchased through both aforementioned sellers.

Keeping the deck lubricated at the recommended intervals ensures the longest life possible for your treadmill. If the lubricant dries out, the friction between the belt and deck rises and places undue stress on the drive motor, drive belt and electronic motor control board, which could result in catastrophic failure of these expensive components. Failure to lubricate the deck at regular intervals may void the warranty.

The belt & deck come pre-lubricated and subsequent lubrication should be performed every 90 hours of use or if you

notice that the deck is dry. It is recommended that you reach between the belt and deck to verify there is lubrication present, every other month. If you check and there isn't any lubrication present, follow the procedure below even though the "Lube" indicator isn't lit on the console. Otherwise, lubricate when the console's lubrication reminder lights after 90 hours of use. Use the following procedure to apply the silicone lubricant:

1. Turn the power switch off and unplug the power cord from the wall outlet
2. Measure 18" from the edge of the motor cover; kneel down and reach under the belt approximately 4- 6" from one edge. Squirt a line of lubricant about 1/8" wide x 15" long in an "S" pattern perpendicular to the motor cover.
3. Repeat the process on the opposite side.
4. Plug the electrical cord back into the outlet and turn the power switch on.
5. Walk on the belt at a moderate speed for five minutes to evenly distribute the silicone lube.
6. Note: If the "Lube" message appears on the console, perform the following procedure to reset the message:
7. To enter the Engineering Mode Menu press and hold down the Start, Stop and Enter
8. keys, then at the same time insert the safety key. Keep holding the keys down until the Message Center displays Engineering Mode Menu. Press the Enter button to access
9. Press the Speed + button (or Speed – button to go backwards) until "Functions" appears; press Enter
10. Press the Speed + button until "Maintenance"; press Enter; then the message center shows "LUBE MESSAGE RESET", press Enter.
11. Press Stop to exit Engineering mode and resume use of your treadmill

## Calibration Procedure

1. Remove the safety key
2. Press and hold down the Start and Fast + buttons and replace the safety key. Continue to hold the Start and Fast key until the window displays "Factory settings", then press the Enter key.
3. You will now be able to set the display to show Metric or English settings (Miles vs. Kilometers). To do this, press the up or down key to show which you want, then press Enter. (The maximum speed is displayed in the speed window, and the maximum elevation is displayed in the incline window.)
4. Grade return – On (This allows the incline to return to zero when Stop is pressed.)
5. Press Start to begin calibration. The process is automatic; the speed will start up without warning, so do not stand on the belt.

# Adjusting the Speed Sensor

If the calibration does not pass you may need to check the speed sensor alignment.

1. Remove the motor cover hood by loosening the 4 screws that hold it in place (you do not need to remove them completely).
2. The speed sensor is located on the left side of the frame, right next to the front roller pulley (the pulley will have a belt around it that also goes to the motor). The speed sensor is small and black with a wire connected to it.
3. Make sure the sensor is as close as possible to the pulley without touching it. You will see a magnet on the face of the pulley; make sure the sensor is aligned with the magnet. There is a screw that holds the sensor in place that needs to be loosened to adjust the sensor. Re-tighten the screw when finished.

# Engineering Mode Menu

The console has built in maintenance/diagnostic software. The software will allow you to change the console settings from English to Metric and turn off the beeping of the speaker when a key is pressed for example. To enter the Engineering Mode Menu, press and hold down the **Start**, **Stop** and **Enter** keys. Keep holding the keys down for about 5 seconds and the Message Center will display Engineering Mode Menu. Press the **Enter** key to access the menu below:

1. Key Test (Will allow you to test all the keys to make sure they are functioning)
2. Display Test (Tests all the display functions)
3. Functions (Press **Enter** to access settings and **Up** arrow to scroll)
  - I. Display Mode (Turn off to have the console power down automatically after 30 minutes of inactivity)
  - II. Pause Mode (Turn on allow 5 minutes of pause, turn off to have the console pause indefinitely)
  - III. Maintenance (Allows you to reset the lube message time)
  - IV. Units (Sets the display to readout in English or Metric display measurements)
  - V. Beep (Turns off the speaker so no beeping sound is heard)
4. Security (Allows the keypad to be locked to prevent unauthorized use)
5. Exit

# Service Checklist Diagnosis Guide

Problem	Solution/ Cause
Display does not light	<ol style="list-style-type: none"> <li>1. Tether cord not in position.</li> <li>2. Circuit breaker on front grill tripped. Push circuit breaker in until it locks.</li> <li>3. Plug is disconnected. Make sure plug is firmly pushed into 115 VAC wall outlet.</li> <li>4. Breaker panel circuit breaker may be tripped.</li> <li>5. Treadmill defect. Contact your Spirit Fitness dealer.</li> </ol>
Tread-belt does not stay centered Treadmill belt hesitates when walked/ run on	The user may be walking while favoring or putting more weight on either the left or right foot. If this walking pattern is natural, track the belt slightly off-center to the side opposite from the belt movement. See General Maintenance section on Tread-belt Tension. Adjust as necessary.
Motor is not responsive after pressing start	<ol style="list-style-type: none"> <li>1. If the belt moves, but stops after a short time and the display shows "E1", run calibration.</li> <li>2. If you press Start and the belt never moves, then the display shows E1, contact service.</li> </ol>
Treadmill will only achieve approximately 7mph but shows higher on the display	This indicates motor should be receiving power to operate. Low AC voltage to treadmill. Do not use an extension cord. If an extension cord is required it should be as short as possible and heavy duty 16 gauge minimum. Low voltage. Contact an electrician or your Spirit Fitness dealer. A minimum of 110 volt AC current is required.
Tread-belt stops quickly/suddenly when tether cord is pulled	High belt/deck friction. See General Maintenance section on cleaning the deck. If cleaning doesn't prevent this from reoccurring, check to see if there is significant wear of the deck. If so, the deck may need to be flipped if it is on its original side
Treadmill trips on board 15 amp circuit	High belt/deck friction. See General Maintenance. If cleaning doesn't prevent this from reoccurring, check the amp draw of the motor. If this is high and there are signs of significant wear of the deck, it may need to be flipped if it is on its original side
Computer shuts off when console is touched (on a cold day) while walking/running	Treadmill may not be grounded. Static electricity is "crashing" the computer. Refer to Grounding Instructions.
Circuit breaker trips, but not the treadmill circuit breaker	Need to replace the breaker with a "High In-rush current" type breaker (see page 5 for details)

# Treadmill Warranty - Effective August 22, 2018

Spirit Fitness, Inc. (Spirit Fitness) warrants all its treadmill parts for a period of time listed below from the date of retail sale, as determined by sale receipt, or in the absence of a sales receipt eighteen (18) months from the original factory shipping date. Spirit Fitness' responsibilities include providing new or remanufactured parts, at Spirit Fitness' option, and technical support to our independent dealers and servicing organizations. In the absence of a dealer or service organization, these warranties will be administered by Spirit Fitness directly to a consumer. The warranty period applies to the following components:

<b>Warranty</b>	<b>Frame</b>	<b>Motor</b>	<b>Deck</b>	<b>Parts</b>	<b>Labor</b>
<b>Residential</b>	<b>Lifetime</b>	<b>Lifetime</b>	<b>Lifetime</b>	<b>10 Years</b>	<b>1 Year</b>

## NORMAL RESPONSIBILITIES OF THE CONSUMER

This warranty applies only to products in ordinary household, and the consumer/facility is responsible for the items listed below:

1. The warranty registration card must be completed and returned to the address listed on the card within 10 days of the original purchase to validate the manufacturer's limited warranty.
2. Proper use of the treadmill in accordance with the instructions provided in this manual
3. Proper installation in accordance with instructions provided with the treadmill and with all local electric codes.
4. Expenses for making the treadmill accessible for servicing, including any item that was not part of the treadmill at the time it was shipped from the factory.
5. Damages to the treadmill finish during shipping, installation or following installation.
6. Routine maintenance of this unit as specified in this manual.

## EXCLUSIONS

This warranty does not cover the following:

1. CONSEQUENTIAL, COLLATERAL, OR INCIDENTAL DAMAGES SUCH AS PROPERTY DAMAGE AND INCIDENTAL EXPENSES RESULTING FROM ANY BREACH OF THIS WRITTEN OR ANY IMPLIED WARRANTY.  
Note: Some states do not allow the exclusion or limitation of incidental or consequential damages, so this limitation or exclusion may not apply to you.
2. Service call reimbursement to the consumer. Service call reimbursement to the dealer that does not involve malfunction or defects in workmanship or material, for units that are beyond the warranty period, for units that are beyond the service call reimbursement period, for treadmill not requiring component replacement, or treadmill not in ordinary household or light commercial use.
3. Damages caused by services performed by persons other than authorized Spirit Fitness service companies; use of parts other than original Spirit Fitness parts; or external causes such as corrosion, discoloration of paint or plastic, alterations, modifications, abuse, misuse, accident, improper maintenance, inadequate power supply, or acts of God.
4. Products with original serial numbers that have been removed or altered.
5. Products that have been: sold, transferred, bartered, or given to a third party.

6. Products that do not have a warranty registration card on file at Spirit Fitness. Spirit Fitness reserves the right to request proof of purchase if no warranty record exists for the product.
7. THIS WARRANTY IS EXPRESSLY IN LIEU OF ALL OTHER WARRANTIES EXPRESSED OR IMPLIED, INCLUDING THE WARRANTIES OF MERCHANTABILITY AND/OR FITNESS FOR A PARTICULAR PURPOSE.
8. Product use in any environment other than a residential setting or non-dues paying facility with 5 hours use or less per day.
9. Warranties outside of the United States may vary. Please contact your local dealer for details.

#### SERVICE

Keep your bill of sale. Twelve (12) months from the date on the bill of sale or eighteen (18) months from the date of factory shipping as determined by the serial number establishes the labor warranty period should service be required. If service is performed, it is in your best interest to obtain and keep all receipts. This written warranty gives you specific legal rights. You may also have other rights that vary from state to state. Service under this warranty must be obtained by following these steps, in order:

1. Contact your selling authorized Spirit Fitness dealer. OR
2. Contact your local authorized Spirit Fitness service organization.
3. If there is a question as to where to obtain service, contact our service department at (870) 935-1107.
4. Spirit Fitness' obligation under this warranty is limited to repairing or replacing, at Spirit Fitness' option, the product through one of our authorized service centers. All repairs must be preauthorized by Spirit Fitness. If the product is shipped to a service center freight charges to and from the service center will be the customer's responsibility. For replacement parts shipped while the product is under warranty, the customer will be responsible for shipping and handling charges. For in-home service, the customer will be responsible for a trip charge. There will be an additional trip charge if the customer is located over 100 miles from the nearest service center.
5. The owner is responsible for adequate packaging upon return to Spirit Fitness. Spirit Fitness is not responsible for damages in shipping. Make all freight damage claims with the appropriate freight carrier: DO NOT SHIP ANY UNIT TO OUR FACTORY WITHOUT A RETURN AUTHORIZATION NUMBER. All units arriving without a return authorization number will be refused.
6. For any further information, or to contact our service department by mail, send your correspondence to:

**Spirit Fitness, Inc.**  
**P.O. Box 2037**  
**Jonesboro, AR 72402-2037**

Product features or specifications as described or illustrated are subject to change without notice. All warranties are made by Spirit Fitness, Inc. This warranty applies only in the 48 contiguous United States. NOTE: This does not apply to Alaska or Hawaii.



800.258.4555  
spiritservice@spiritfitness.com  
www.spiritfitness.com



Spirit Fitness  
3000 Nestle Road  
Jonesboro, AR 72401

***SPIRIT***

XT485 Owners Manual  
© 2018 All Rights Reserved  
Revision: 08.22.2018