



* Assembly Guide & Warranty Card Included

RES900 RECUMBENT BIKE OWNER'S MANUAL



ES900 RECUMBENT BIKE OWNERS MANUAL

IMPORTANT:

All Products shown are prototype. Actual product delivered may vary.

Product specifications, features & software are subject to change without notice.

For the most up to date owner's manual please visit www.truefitness.com.

For documents in additional languages please visit www.truefitness.com/document-library/29/international-manuals

IMPORTANTE:

Todos los productos mostrados son prototipos. La realidad el producto suministrado puede diferir.

Especificaciones de productos, características y software están sujetas a cambios sin previo aviso.

Para la más actualizada de este manual del propietario, por favor visite www.truefitness.com

Para los documentos en otros idiomas, por favor visite www.truefitness.com/document-library/29/international-manuals

IMPORTANT:

Tous les produits présentés sont prototype. Le produit réel livré peut varier.

Spécifications du produit, caractéristiques et logiciels sont sujettes à modification sans préavis.

Pour la plus à jour le manuel du propriétaire s'il vous plaît visitez www.truefitness.com.

Pour documents dans des langues supplémentaires, veuillez www.truefitness.com/document-library/29/international-manuals de visite

重要提示： 显示所有产品的原型。实际交付的产品可能有所不同 产品规格，功能和软件如有更改，恕不另行通知 迄今为止对于大多数的使用说明书，请访问www.truefitness.com

对于其他语言的文档，请访问www.truefitness.com/document-library/29/international-manuals

هام:

جميع المنتجات المعروضة هي النموذج. قد فتختلف نتج الم الفعلي تسليمها .

مواصفات المنتج، والميزات والبرامج قابلة للتغيير دون إشعار لمعظم ما يصل

www.truefitness.com. حتى الآن دليل المالك يرجى زيارة

www.truefitness.com/document-library/29/international-manuals للمستندات في لغات إضافية، يرجى زيارة

WICHTIG:

Alle hier gezeigten Produkte sind Prototypen. Das tatsächliche Produkt ausgeliefert wird, kann variieren.

Produkt-Spezifikationen, Funktionen und Software können sich ohne vorherige Ankündigung ändern.

In den meisten Fällen bis zu Bedienungsanleitung Bisher besuchen Sie bitte www.truefitness.com.

Für Dokumente in weiteren Sprachen finden Sie unter www.truefitness.com/document-library/29/international-manuals

BELANGRIJK:

Alle getoonde producten zijn prototype. Daadwerkelijke product geleverd kan verschillen.

Product specificaties, eigenschappen & software zijn onderhevig aan verandering zonder kennisgeving.

Voor de meest actuele handleiding van de eigenaar kunt u terecht www.truefitness.com.

Voor documenten in andere talen kunt u terecht op www.truefitness.com/document-library/29/international-manuals

ВАЖНО:

Все товары указаны прототипа. Фактический продукт, поставляемый могут отличаться.

Технические характеристики, особенности и программного обеспечения могут быть изменены без предварительного уведомления.

Для получения самой последней на сегодняшний день руководство по эксплуатации пожалуйста, посетите www.truefitness.com

Для документов на другие языки, пожалуйста, посетите www.truefitness.com/document-library/29/international-manuals

RES900 RECUMBENT BIKE OWNERS MANUAL

Frank Trulaske began TRUE Fitness over thirty-five year ago with the simple philosophy of delivering superior fitness products, service and support. Today, TRUE is the global leader in premium fitness equipment for the commercial and residential markets. Our goal is to be the leader in technology, innovation, performance, safety and style. TRUE has received many awards for its product over the years and remains the benchmark for the industry. Fitness facilities and consumers invest in TRUE products for their durable commercial platforms used in all its products, both commercial and residential alike.

The proud manufacturing tradition of quality and the culture of innovation at TRUE have given rise to a full line of extraordinary cardio and strength equipment. As a result, people all over the world are benefiting from the TRUE experience. Innovation across the full product line has made TRUE successful and is a trademark of the TRUE heritage. TRUE's patented Heart Rate Control technology is just one of the remarkable ways we deliver simple and superior performance every user can enjoy, and most importantly, use to achieve personal health and fitness goals.

At the heart of our success is the relentless and systematic life testing of both our products and their components. We have dedicated employees who understand our philosophy is to deliver the best products in the world.

Our goal is to deliver the world's best premium equipment for our customers' health and fitness solutions.

ES900 RECUMBENT BIKE OWNERS MANUAL

TABLE OF CONTENTS:

Chapter 1: Safety Instructions

Safety Instructions	1
Space Requirements	3
Grounding Instructions	4
Power Requirements	5
Warning Decals	6
Compliances	6

Chapter 2 Assembly Instructions

Pre-Assembly Checklist	7
Assembly Steps	11

Chapter 3: Care & Maintenance

Care & Maintenance	25
Cleaning the Equipment	25
Leveling the Unit	25
Lubrication	26
Other Scheduled Preventive Maintenance	26
Long Term Storage	26

Chapter 4: Customer Service

Contacting Service	27
Contacting Sales	27
Reporting Freight Claims or Parts Damage	28

Chapter 5: Additional Information




Troubleshooting	29
Warranty Information	31

CHAPTER 1: SAFETY INSTRUCTIONS








IMPORTANT SAFETY INSTRUCTIONS

SAVE THESE SAFETY INSTRUCTIONS


This bike is intended for in-home use only; do not use this bike in a commercial or institutional setting. Doing so may void the expressed warranty.

-  WARNING: All EXERCISERS MUST READ ALL INSTRUCTIONS BEFORE USING THE BIKE.
-  WARNING: Heart rate monitoring systems may be inaccurate for some individuals. Over-exercising may result in serious injury or death. If you feel faint, stop exercising immediately.
-  WARNING: Equipment should be immediately taken out of use if it fails to work properly or when a warning is presented electronically.

TRUE STRONGLY recommends seeing a physician for a complete medical exam before undertaking an exercise program, particularly if the user has a family history of high blood pressure or heart disease, is over the age of 45, smokes, has high cholesterol, is obese or has not exercised regularly in the past year. Additionally, TRUE recommends consulting a fitness professional on the correct use of this product. If at any time while exercising the user experiences faintness, dizziness, pain or shortness of breath, he or she must stop immediately.

-  WARNING: To reduce the risk of electrical shock, always unplug this TRUE product before cleaning or attempting any maintenance activity. Do not handle the plug with wet hands.
-  WARNING: To reduce the risk of burns, fire, electric shock or injury, it is imperative to connect each product to a properly grounded 110V electrical outlet. A risk of electrical shock may result from improper connection of the equipment's grounding conductor. Check with a qualified electrician if you are unsure about proper grounding techniques. Do not modify the plug provided with this product. If it will not fit an electrical outlet, have a proper outlet installed by a qualified electrician. Your TRUE Fitness product must be properly grounded to reduce risk of shock if the bike malfunctions. Your bike is equipped with an electrical cord, which includes an equipment grounding conductor and a grounding plug. The plug must be inserted into an outlet that has been properly installed and grounded in accordance with all local codes and ordinances. A temporary adapter cannot be used to connect this plug to a two-pole receptacle in North America. If a properly grounded 15 amp outlet is not available, a qualified electrician must install one.
-  WARNING: Do not move the Equipment by lifting the console. Do not use the console as a handlebar during a workout.
-  WARNING: This product contains chemicals known to the state of California to cause cancer and birth defects or other reproductive harm.
-  WARNING: Keep equipment stable on flat ground.
-  WARNING: Replace warning labels that may be worn, damaged or missing
-  WARNING: Replace any non-working or damaged components; remove the unit from service until repair is performed.

CHAPTER 1: SAFETY INSTRUCTIONS

 **WARNING:** To reduce the risk of burns, fire and electric shock or injury to persons, follow these instructions:

- This appliance should never be left unattended when plugged in.
- Do not use any type of extension cord with this product.
- Unplug it from the outlet when not in use and before any servicing.
- Do not operate the equipment while being covered with a blanket, plastic, or anything that insulates or stops airflow.

CAUTION:

- Do not use typing or web surfing features at excessive speeds. Always stabilize yourself by holding a stationary handle when using typing or web surfing features. (Varies by console option)
- Health related injuries may result from incorrect or excessive use of exercise equipment.
- Do not use the contact heart rate grips as a handlebar during a workout.
- Any changes or modifications to this equipment could void the product warranty.
- To disconnect plug remove from electrical outlet.
- The ES900 bike is self-generated and does not require the use of an electrical outlet with the 9" Touch Console. Future optional consoles may require 110V AC input and 12V DC 6 Amp output for console operation only.
- The batteries within self-generated equipment contain materials that are considered hazardous to the environment. Federal law requires proper disposal of these batteries.
- Do not use this product in areas where aerosol spray products are being used or where oxygen is being administered. Such substances create the danger of combustion and explosion.
- Always follow the console instructions for proper operation. Close supervision is necessary when used near children under the age of 15, or disabled persons.
- Do not use this product outdoors, near water, while wet, or in areas of high humidity including extreme temperature changes
- Never operate a TRUE product with the air openings blocked. Keep air openings free of lint, hair or any obstructing material.
- Never insert objects into any openings in this product. If an object should drop inside, turn off the power and carefully retrieve it. If the item cannot be reached, contact TRUE Customer Service.
- Never place liquids of any type directly on the unit except in the accessory tray or bottle holders. Containers with lids are recommended.
- Wear shoes with rubber or high traction soles. Do not use shoes with heels, leather soles, cleats or spikes. Make sure no stones are embedded in the soles. Do not use this product in bare feet. Keep all loose clothing, shoelaces and towels away from moving parts.
- Do not reach into or underneath the unit, or tip it on its side during operation.
- Use correct ergonomic positioning while operating the bike.
- Do not allow animals on or near the equipment while in operation.

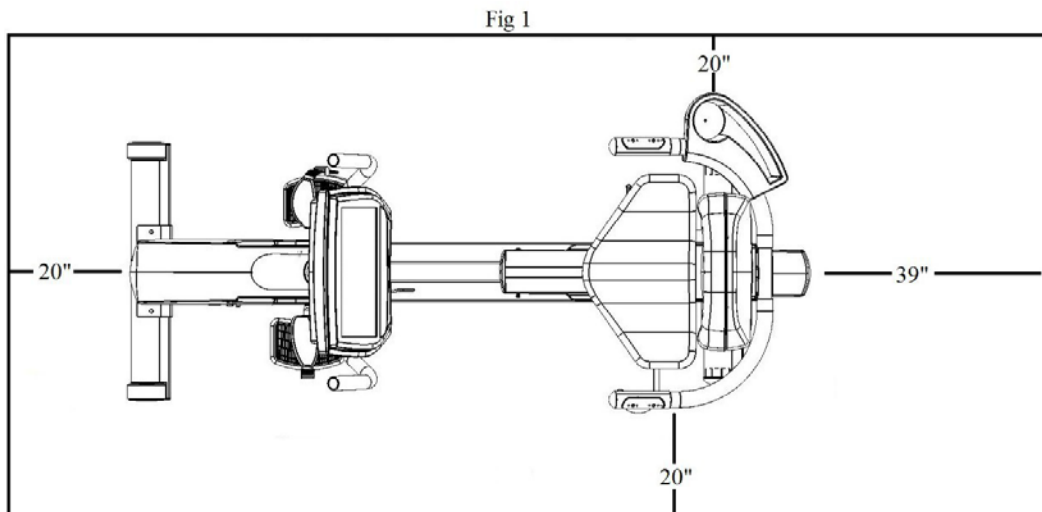
CHAPTER 1: SAFETY INSTRUCTIONS

CAUTION (continued):

- Do not exceed maximum user weight of 350 lbs (159 kg).
- Avoid exiting bike while the pedals are still in motion.
- Do not use if you have a cold or fever.
- When using this exercise machine, basic precautions should always be followed.
- Use this bike only for its intended use as described in this manual.
- Do not use attachments not recommended by the manufacturer.
- Allow only trained personnel to service this equipment.
- Avoid the possibility of bystanders being struck or caught between moving parts by making sure that they are out of reach of the bike while it is in motion.
- Allow only one person at a time on the bike while it's operating.
- It is the sole responsibility of the owner/operator to ensure regular and scheduled maintenance is performed.
- This appliance can be used by children aged from 8 years and above and persons with reduced physical, sensory or mental capabilities or lack of experience and knowledge if they have been given supervision or instruction concerning use of the appliance in a safe way and understand the hazards involved.
- Children shall not play with the appliance.
- Cleaning and user maintenance shall not be made by children without supervision.

SPACE REQUIREMENTS:

- TRUE's recommendation is to leave a 39" safety zone at rear of bike. The sides of the bike should be at least 20" away from the wall or obstructions. (See Fig 1)



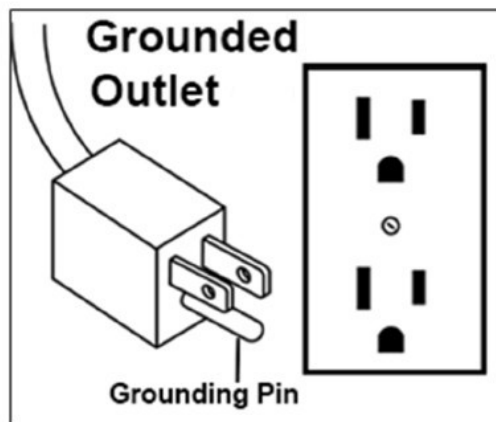
CHAPTER 1: SAFETY INSTRUCTIONS

GROUNDING INSTRUCTIONS FOR PLUG-IN UNITS:

This product must be grounded, if it should malfunction or breakdown, grounding provides a path of least resistance for electric current to reduce the risk of electric shock. This product is equipped with a cord having an equipment-grounding conductor and a grounding plug. The plug must be plugged into an appropriate outlet that is properly installed and grounded in accordance with all local codes and ordinances.

DANGER:

- Improper connection of the equipment-grounding conductor can result in a risk of electric shock.
- Check with a qualified electrician or serviceman if you are in doubt as to whether the product is properly grounded. Do not modify the plug provided with the product. If it will not fit the outlet, have a proper outlet installed by a qualified electrician.
- Do not remove the motor cover or you may risk injury due to electric shock.
- The 120-V model is for use on a nominal 120-V circuit and has a grounding plug that looks like the plug illustrated in figure A. Make sure the product is connected to an outlet having the same configuration as the plug. No adapter should be used with this product.



CHAPTER 1: SAFETY INSTRUCTIONS

POWER REQUIREMENTS FOR **TRUE** PRODUCTS

NOTE: Read and understand all instructions on this sheet and in the Owner's Manual before plugging any TRUE power cord into an electrical outlet. This information sheet will help you identify the voltage and cords you need where you live and will outline requirements for:

- Grounded, dedicated lines
- Voltage
- Power cords
- Power adapters
- Extension cords

!DANGER: Improper connection of the equipment-grounding conductor can result in risk of electric shock. Check with a qualified electrician or service provider if you are in doubt as to whether the equipment is properly grounded or installed on a dedicated line. Seek a qualified electrician to perform any modifications to the cord or plug. TRUE is not responsible for injuries or damages as a result of cord or plug modification.

!CAUTION: Place cords away from heat (such as baseboards). Use care to arrange any cord so it does not become an obstacle.

Extension Cords

Do not use an extension cord to supply power to any TRUE product.

Grounded, Dedicated Line

TRUE equipment must be grounded. If it should malfunction or break down, grounding provides a path of least resistance for electric current to reduce the risk of electric shock. TRUE cords (except for cycle adapters) have an equipment-grounding conductor and a grounding plug. The plug must be plugged into an appropriate outlet that is properly installed and grounded in accordance with all local codes and ordinances where you live. Do not use a ground plug adapter to adapt the power cord to a non-grounded outlet. Do not use a GFCI outlet or GFCI circuit breaker. A dedicated line will assure that adequate power is available for safe operation over the life of your TRUE Product.

Voltage

Voltage required for your unit is located on the serial number decal (usually on the front of the unit). Depending on where you live voltage requirements differ.

A home typically has 115 VAC, 60 Hz outlets rated at 15 amps.

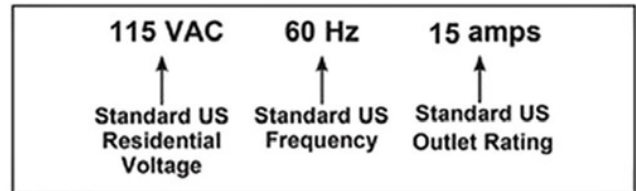


Figure 1

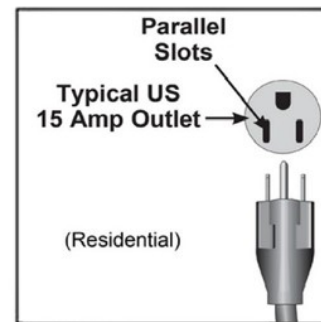


Figure 2

CHAPTER 1: SAFETY INSTRUCTIONS

WARNING DECALS:

 **WARNING:** Replace warning labels that may be worn, damaged or missing.

To replace any worn or missing warning decals contact TRUE FITNESS by one of the following: www.truefitness.com or contact customer service at 800-883-8783.



⚠ WARNING! Read and understand all instructions and warnings prior to use.


AVERTISSEMENT! Prenez connaissance du manuel d'instruction et consigne de sécurité avant l'utilisation.

WARNING - REMOVE SAFETY KEY WHEN NOT IN USE AND STORE OUT OF REACH OF CHILDREN.

CAUTION - TO REDUCE THE RISK OF INJURY FROM MOVING PARTS - UNPLUG BEFORE SERVICING.

WARNING - TO REDUCE THE RISK OF ELECTRIC SHOCK - UNPLUG BEFORE CLEANING OR SERVICING.

- Death or nonvoluntary can result if cautions not used while exercising.
- Une précaution lors de l'utilisation de cet appareil pourrait être dangereuse, voire mortelle.
- Care should be used when mounting or dismounting machine.
- Faites attention lorsque vous montez sur la machine ou en descendez.
- Keep children away at all times.
- Tenez les enfants éloignés de cet équipement à tout moment.
- Heart rate display may be inaccurate and should be used for reference only.
- Stop exercising if you feel faint, dizzy, or experience pain.
- Obtain medical exam before beginning any exercise program.
- Refer to Owner's Manual for additional warnings and safety information.



TRUE
TRUE FITNESS TECHNOLOGY, INC.
ST LOUIS, MISSOURI 63366

Model No.
RES900-19

Serial No./Date Code
19-RES900001A

Rating: 100-240 Vac, 50/60 Hz, 12 W

ETL LISTED
CONFORMS TO ANSI/UL
STD. 1647

Intertek
3135202
CERTIFIED TO CAN/CSA
STD. C22.2 NO.68

Intertek Testing Services Taiwan Ltd.

MADE IN TAIWAN

COMPLIANCES:

This equipment complies with all applicable codes and regulations. For a complete list of compliances, please visit www.truefitness.com.

CHAPTER 2: ASSEMBLY INSTRUCTIONS



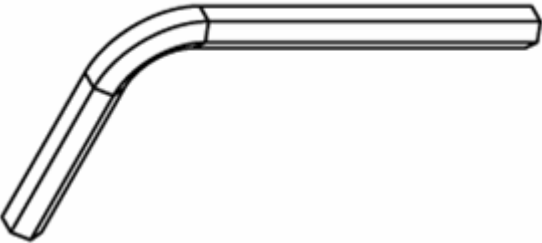
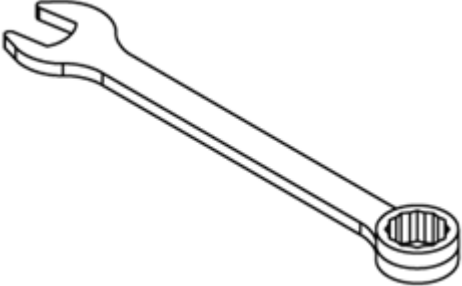
⚠ CAUTION:

- Read and understand all instructions and warnings prior to use.
- Obtain a medical exam before beginning any exercise program. If at any time during exercise you feel faint, dizzy, or experience pain, stop and consult your physician.
- Obtain proper instruction prior to use.
- This machine is intended for residential use only.
- Inspect the bike for incorrect, worn, or loose components and do not use until corrected, replaced, or tightened prior to use.
- Do not wear loose or dangling clothing while using bike.
- Care should be used when mounting or dismounting bike.
- Do not exceed maximum user weight of 350lbs.
- Keep children and animals away.
- Use caution when moving and assembling bike.
- All exercise equipment is potentially hazardous. If attention is not paid to the conditions of equipment usage, death, or serious injury could occur.
- Save these instructions.

*Should you need technical assistance in assembly of your TRUE Fitness product, contact TRUE Fitness Technical Support at 1-800-883-8783.

PRE-ASSEMBLY CHECK LIST:

Provided Tools:

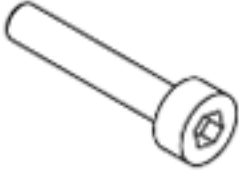



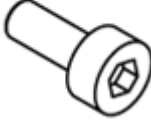








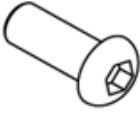



<p style="text-align: center;">5mm Hex Wrench</p> 	<p style="text-align: center;">6mm Hex Wrench</p> 
<p style="text-align: center;">8mm Hex Wrench</p> 	<p style="text-align: center;">15mm Pedal Wrench</p> 

NOTE: Phillips Head Screwdriver (used during steps 6, 7, 12 & 13) is NOT provided

CHAPTER 2: ASSEMBLY INSTRUCTIONS

PRE-ASSEMBLY CHECKLIST (continued):

Provided hardware:

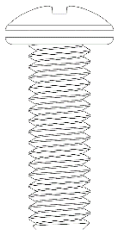
STEP 1 & 2 (FRONT & REAR STABILIZER BARS)	STEP 4 (SEAT HANDLEBAR)
 Hex Screw, M10xL55 (X1) Qty. 4  Split Washer, M10 (S1) Qty. 4  Flat Washer, M10 (F1) Qty. 4	 Counter-bore Hex Screw, M8xL20 (C4) Qty. 4  Hex Screw, M8xL20 (X4) Qty. 2  Split Washer, M8 (S4) Qty. 2  Flat Washer, M8 (F4) Qty. 2
STEP 5 (SEAT BACK FRAME PIVOT ASSEMBLY)	STEP 6 (REAR SEAT PIVOT COVER)
 Hex Screw, M6xL15 (X5) Qty. 8  Split Washer, M8 (S5) Qty. 8  Flat Washer, M8 (F5) Qty. 8	 Phillips Head Screw, M5xL15 (X6) Qty. 2  Flat Washer, M5 (F6) Qty. 2
STEP 7 (SEAT BACK FRAME COVER)	STEP 11 (FRONT MAST)
 Phillips Head Screw, M5xL20 (X7) Qty. 4	 Hex Screw, M10xL16 (X11) Qty. 5  Split Washer, M10 (S11) Qty. 5
STEP 12 (MEDIA HOLDER)	 Flat Washer, M10 (F11) Qty. 5
 Counter-bore Phillips Head Screw, M5xL15 (X12) Qty. 2	

CHAPTER 2: ASSEMBLY INSTRUCTIONS

PRE-ASSEMBLYCHECKLIST(continued):

Provided hardware:

Step 16 (Tablet Holder)



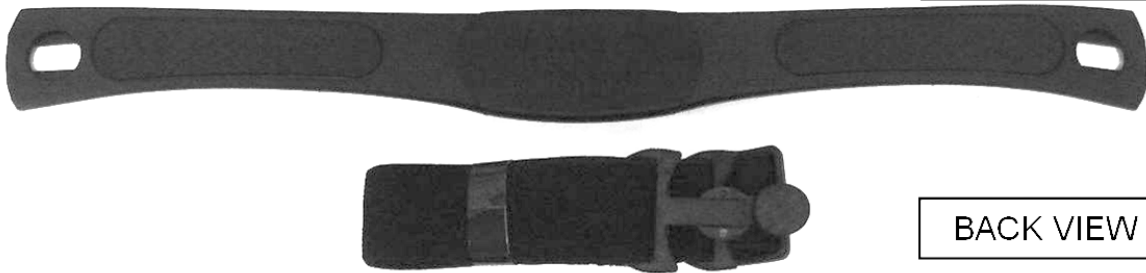
Pan Head Phillips Screw M4

CHAPTER 2: ASSEMBLY INSTRUCTIONS

PRE-ASSEMBLY CHECKLIST (continued):

Additional Items Provided:

POLAR T34 Transmitter and Chest Strap (Heart Rate Monitor)



CHAPTER 2: ASSEMBLY INSTRUCTIONS

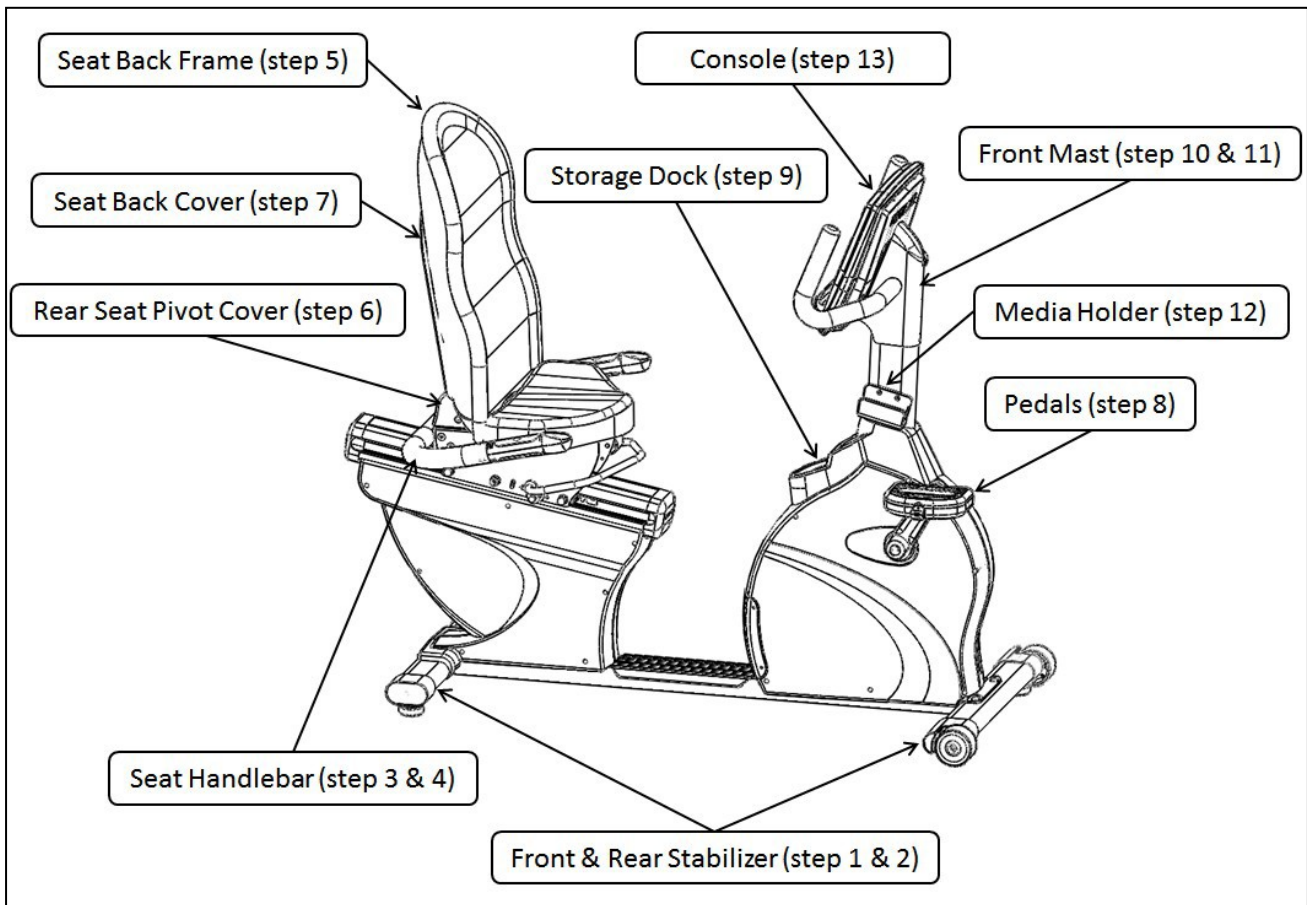
ASSEMBLY STEPS:

⚠ CAUTION:

- Use caution when assembling bike. It is recommended that at least two people unpack and assemble bike.
- Remove all bike components from packaging.
- For each step use hardware in the corresponding bag

Sub-Assembly Identification:

Use the image below as a reference for where the provided sub-assemblies will be located in the complete bike assembly:



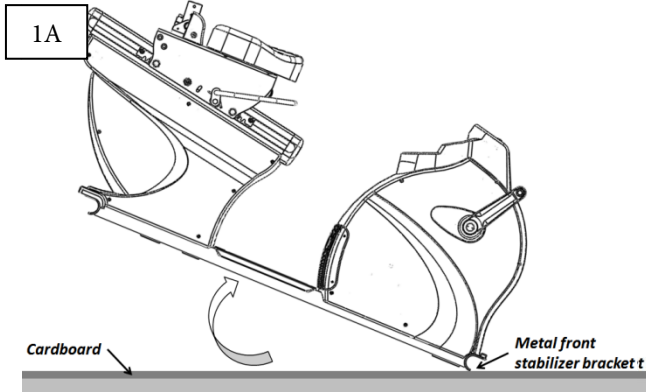
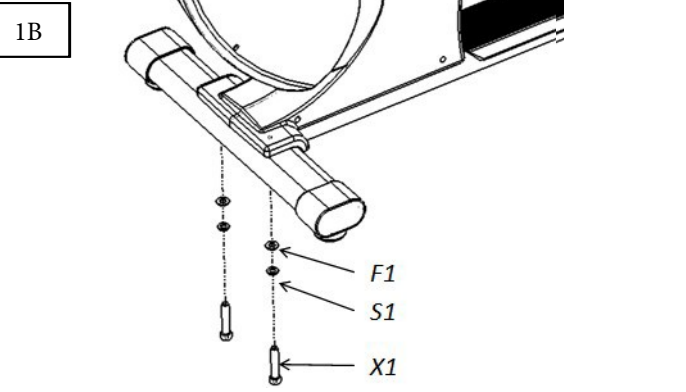
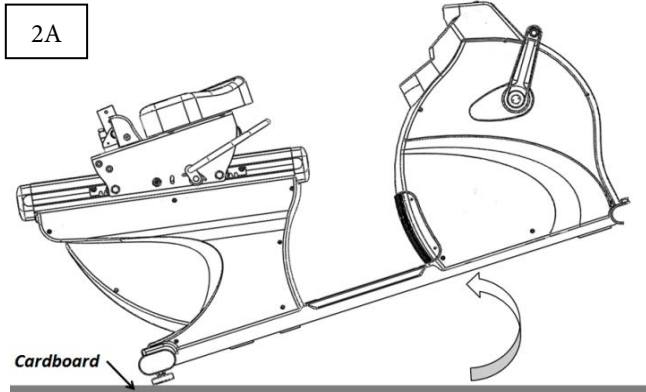
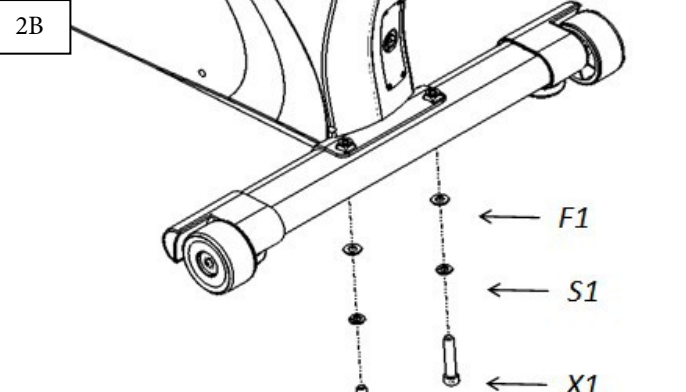
CHAPTER 2: ASSEMBLY INSTRUCTIONS

ASSEMBLY STEPS (continued):

Step 1 & 2 Front and Rear Stabilizer Bars:

⚠ CAUTION:

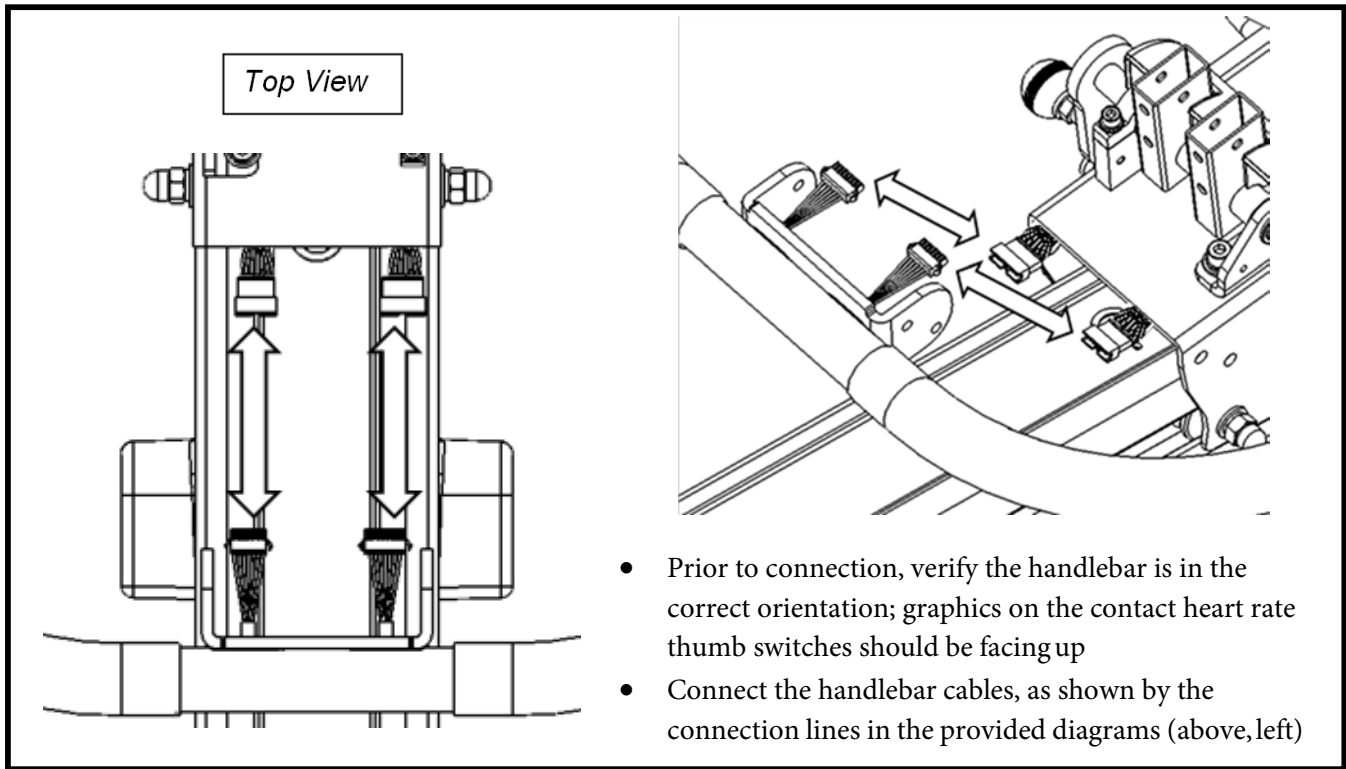
- It is recommended that at least 2 people are used to assemble the bike.
- To protect the floor from damage, rest the bike frame on a large piece of cardboard packaging.

<p>1A</p>  <p>Cardboard</p> <p>Metal front stabilizer bracket</p> <ul style="list-style-type: none">• Rotate the frame forward on the Front Stabilizer bracket (metal)• At least one person should hold the frame, while another person completes the remaining Rear Stabilizer installation steps	<p>1B</p>  <p>F1</p> <p>S1</p> <p>X1</p> <ul style="list-style-type: none">• For each screw, install through split washer then flat washer• Insert Rear Stabilizer into the metal bracket• Install each screw through the bottom of the metal bracket, then through the Rear Stabilizer• Tighten using the provided 8mm hex wrench
<p>2A</p>  <p>Cardboard</p> <ul style="list-style-type: none">• Rotate the frame backwards on the Rear Stabilizer• At least one person should hold the frame, while another person completes the remaining Front Stabilizer installation steps	<p>2B</p>  <p>F1</p> <p>S1</p> <p>X1</p> <ul style="list-style-type: none">• For each screw, install through split washer then flat washer• Insert Front Stabilizer into the metal bracket• Install each screw through the bottom of the metal bracket, then through the Front Stabilizer• Tighten using the provided 8mm hex wrench

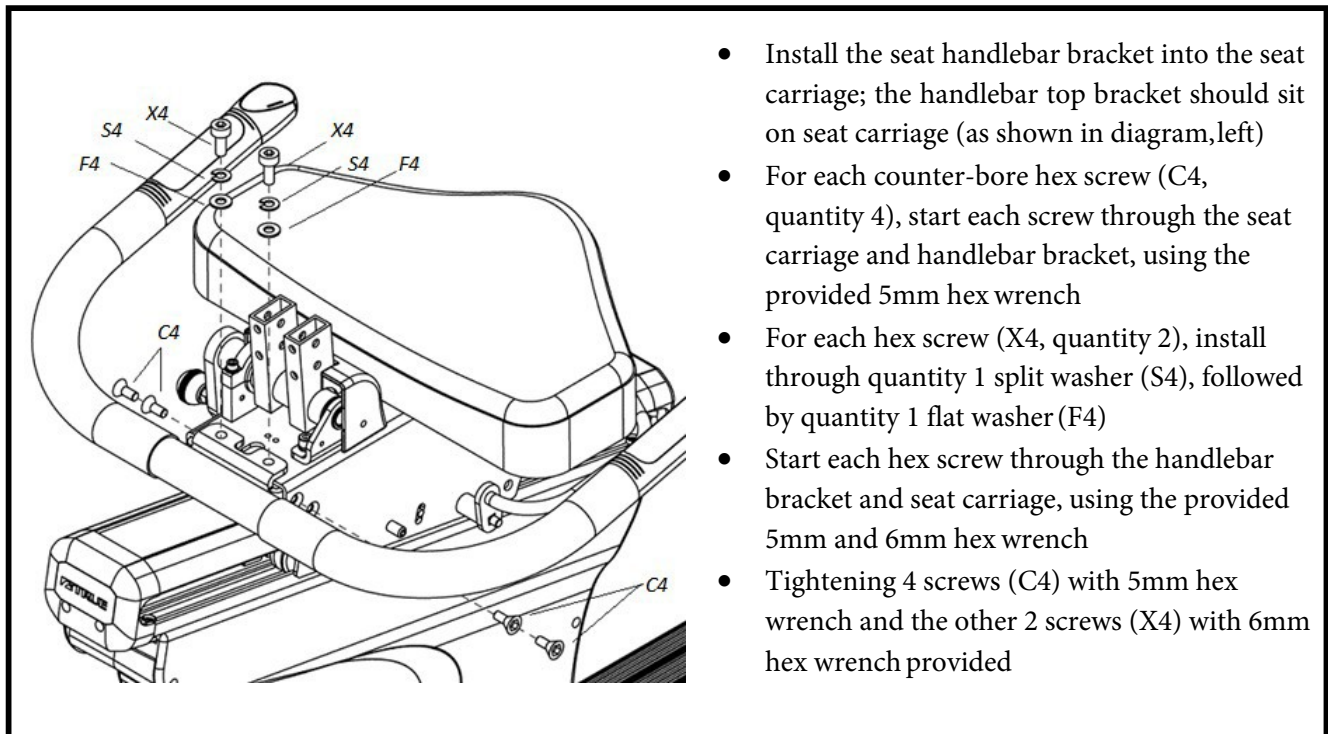
CHAPTER 2: ASSEMBLY INSTRUCTIONS

ASSEMBLY STEPS (continued):

Step 3 Seat Handlebar Cable Connections:



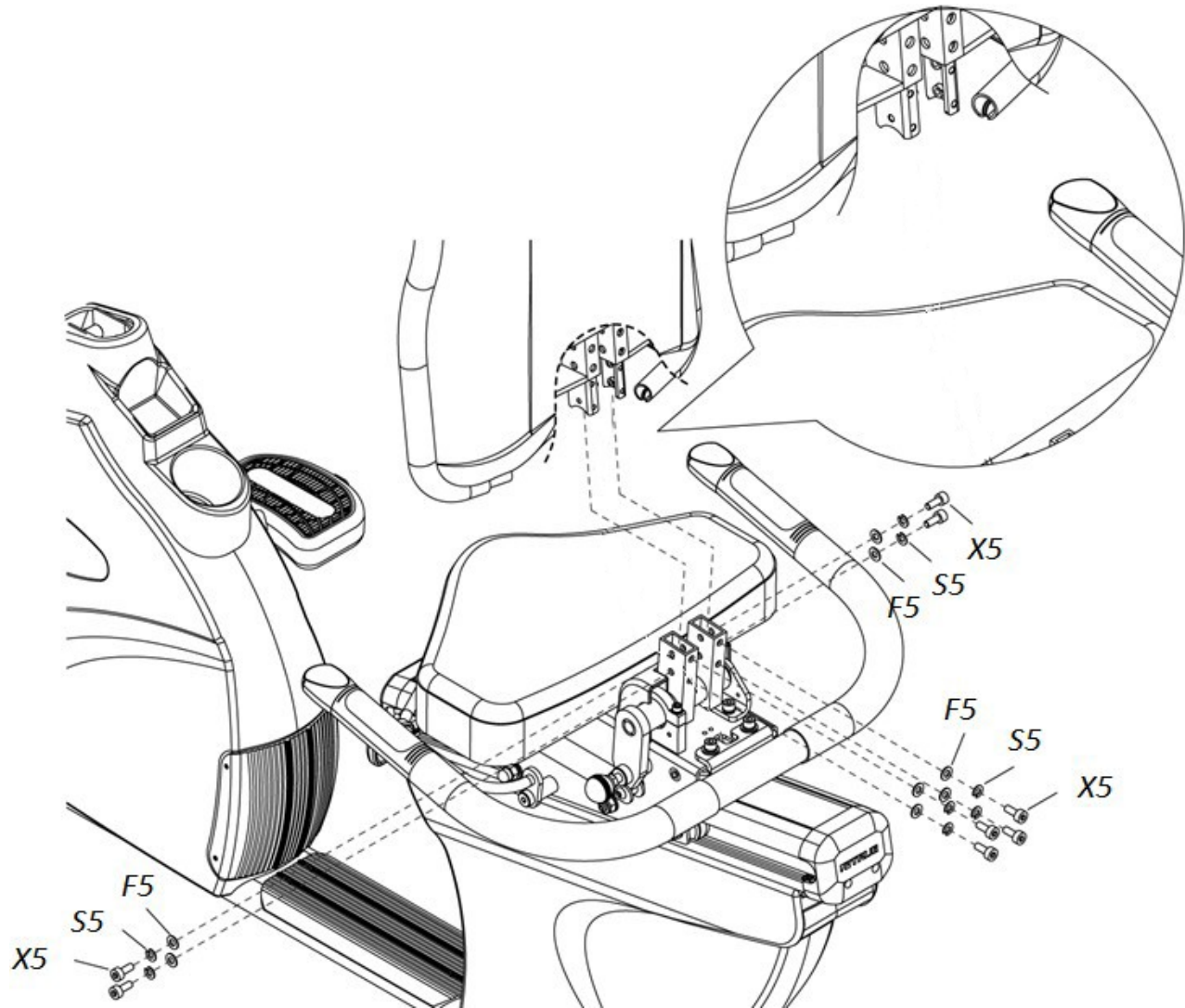
Step 4 Seat Handlebar Assembly:



CHAPTER 2: ASSEMBLY INSTRUCTIONS

ASSEMBLY STEPS (continued):

Step 5 Seat Back Frame Assembly:

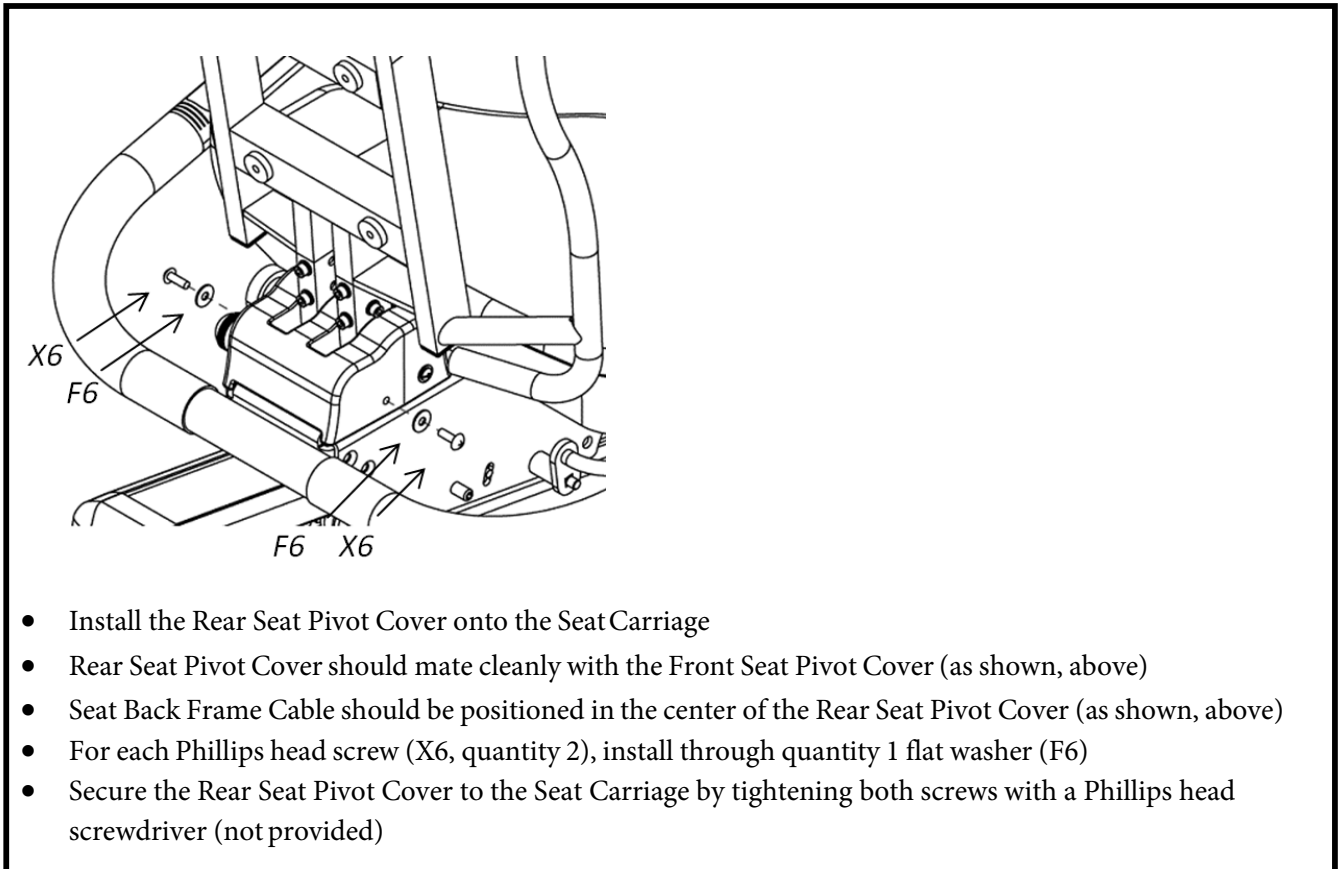


- Install the seat back frame into the seat carriage
- For each hex screw (X5, quantity 8), install through quantity 1 split washer (S5), followed by quantity 1 flat washer (F5)
- Secure the seat back frame to the seat carriage by tightening all 8 screws with the provided 5mm hex wrench
- Verify that the seat back frame is secured tightly to the seat carriage; tighten screws if necessary

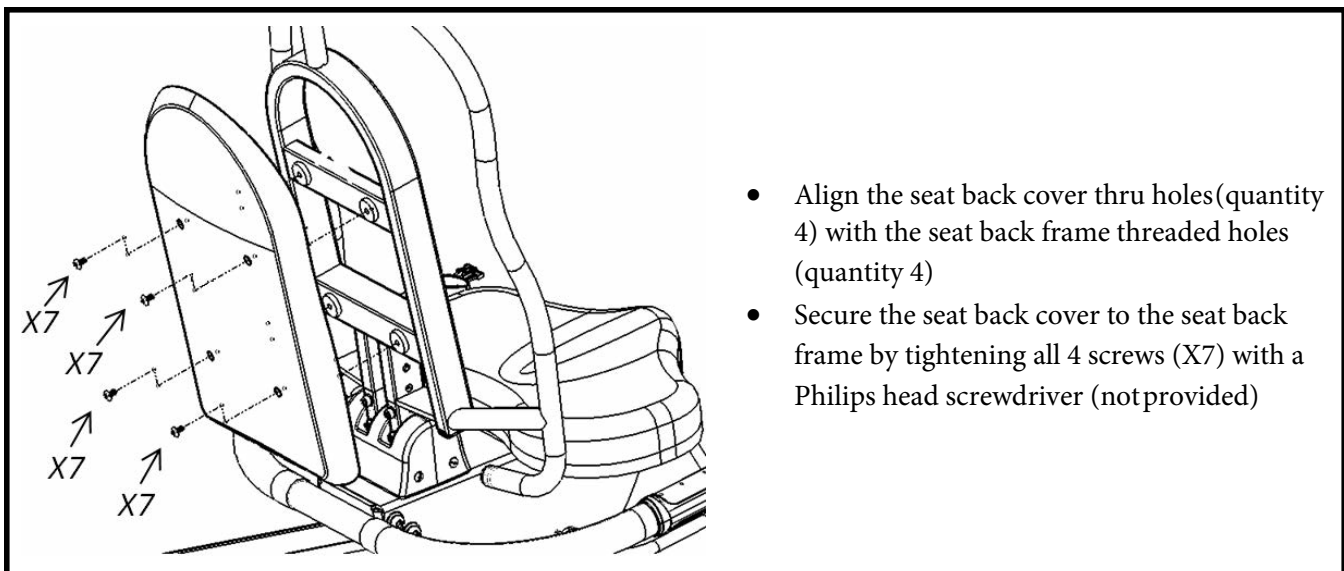
CHAPTER 2: ASSEMBLY INSTRUCTIONS

ASSEMBLY STEPS (continued):

Step 6 Rear Seat Pivot Cover Assembly:



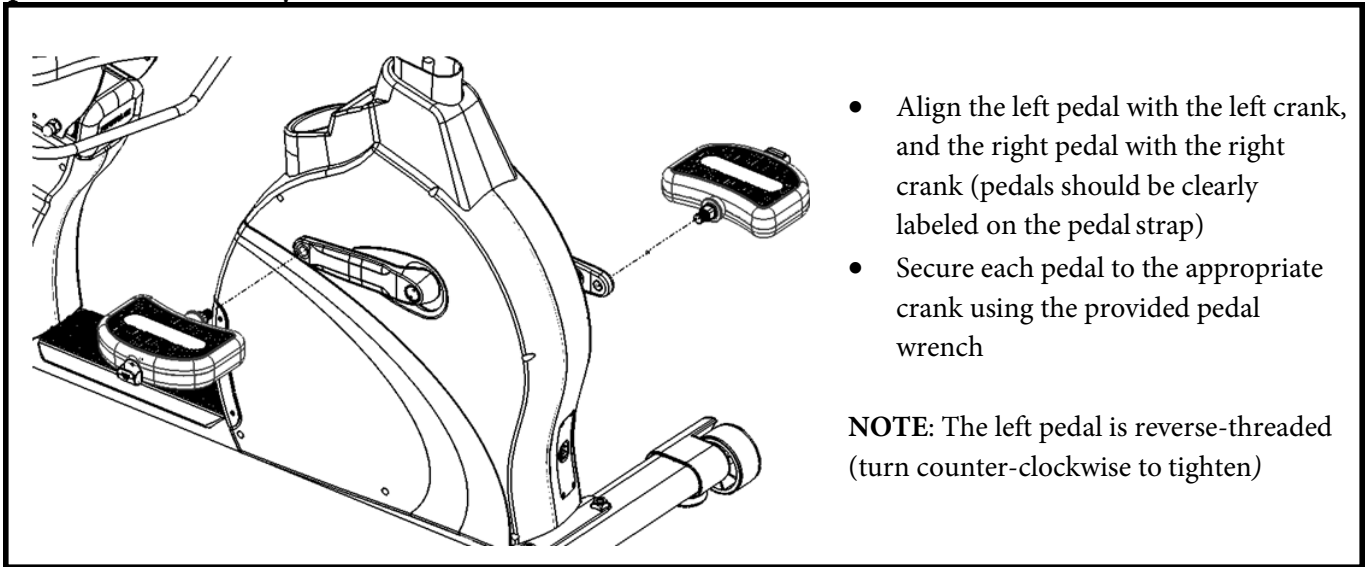
Step 7 Seat Back Frame Cover Assembly:



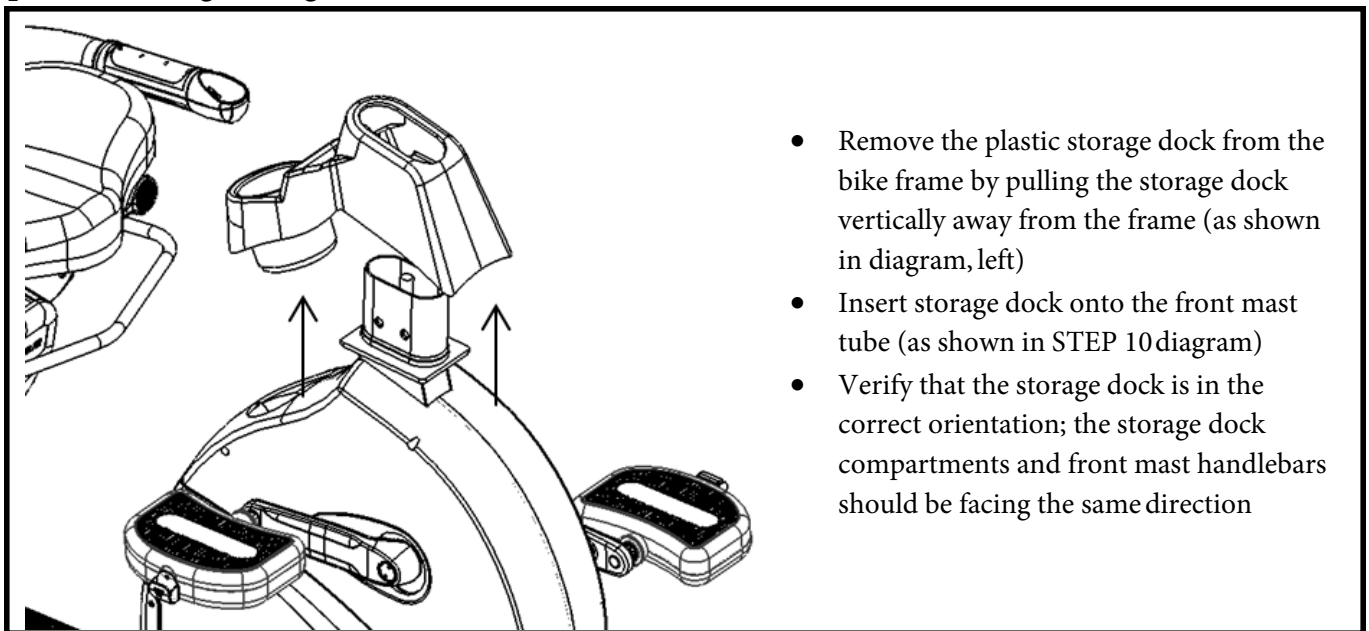
CHAPTER 2: ASSEMBLY INSTRUCTIONS

ASSEMBLY STEPS (continued):

Step 8 Pedal Assembly:



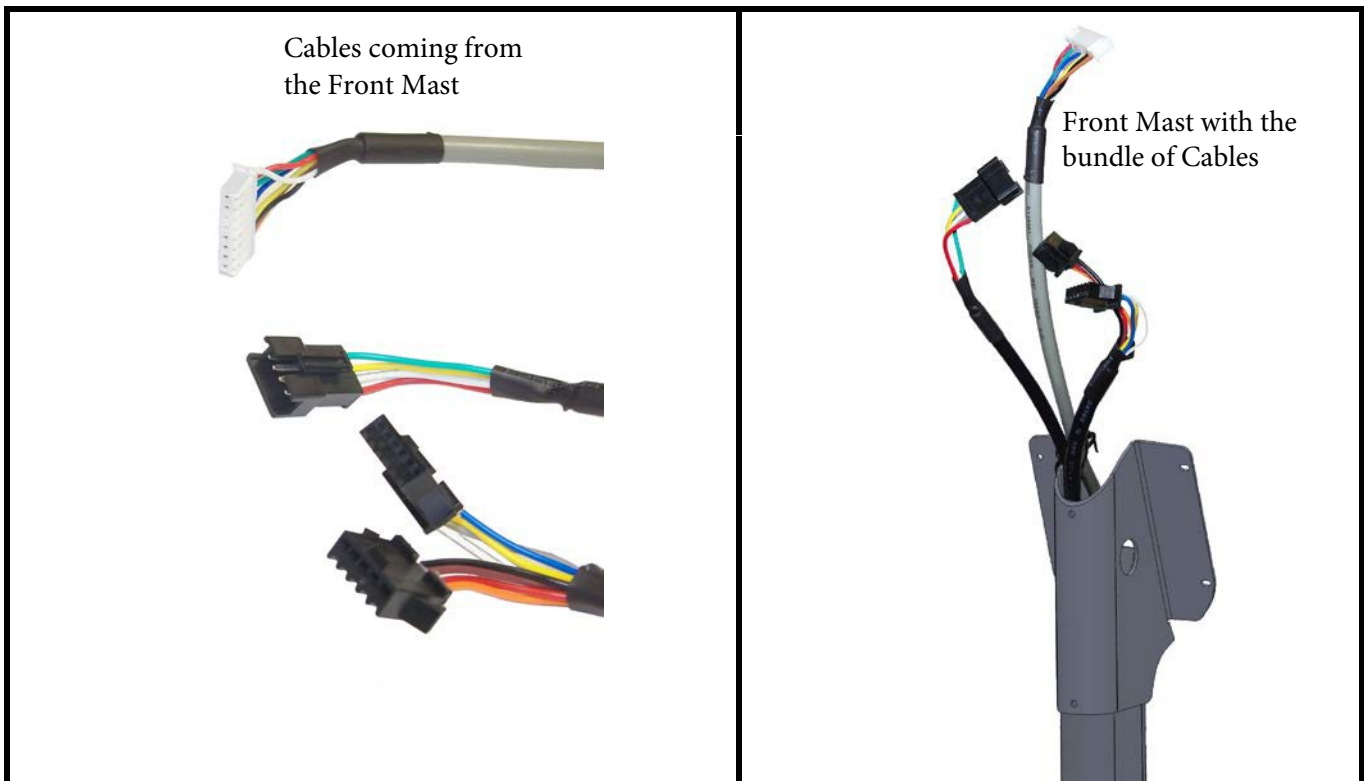
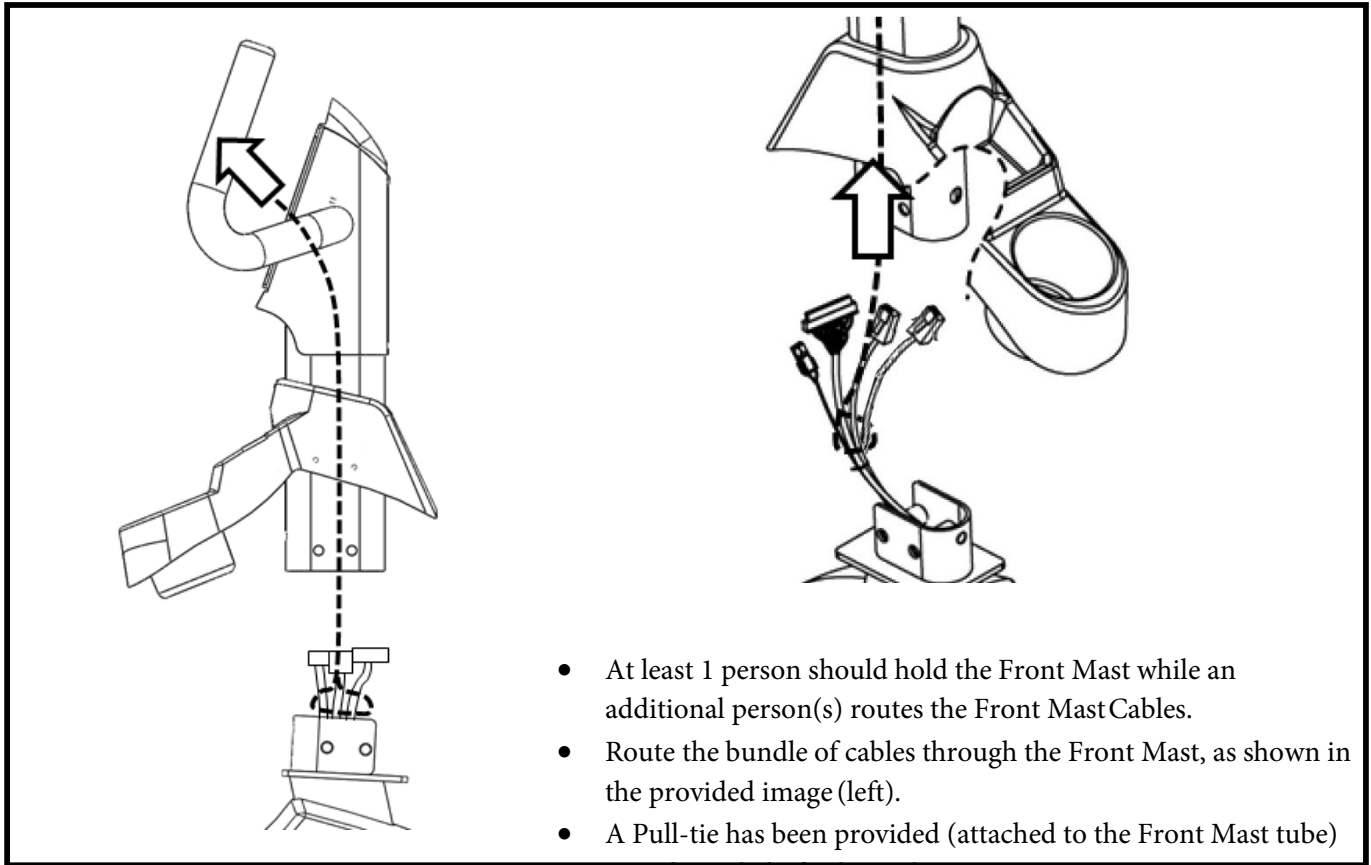
Step 9 Removing Storage Dock:



CHAPTER 2: ASSEMBLY INSTRUCTIONS

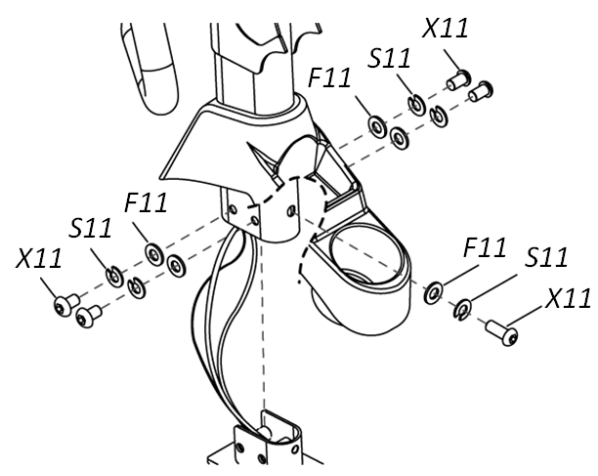
ASSEMBLY STEPS (continued):

Step 10 Front Mast Cable Connections:



CHAPTER 2: ASSEMBLY INSTRUCTIONS

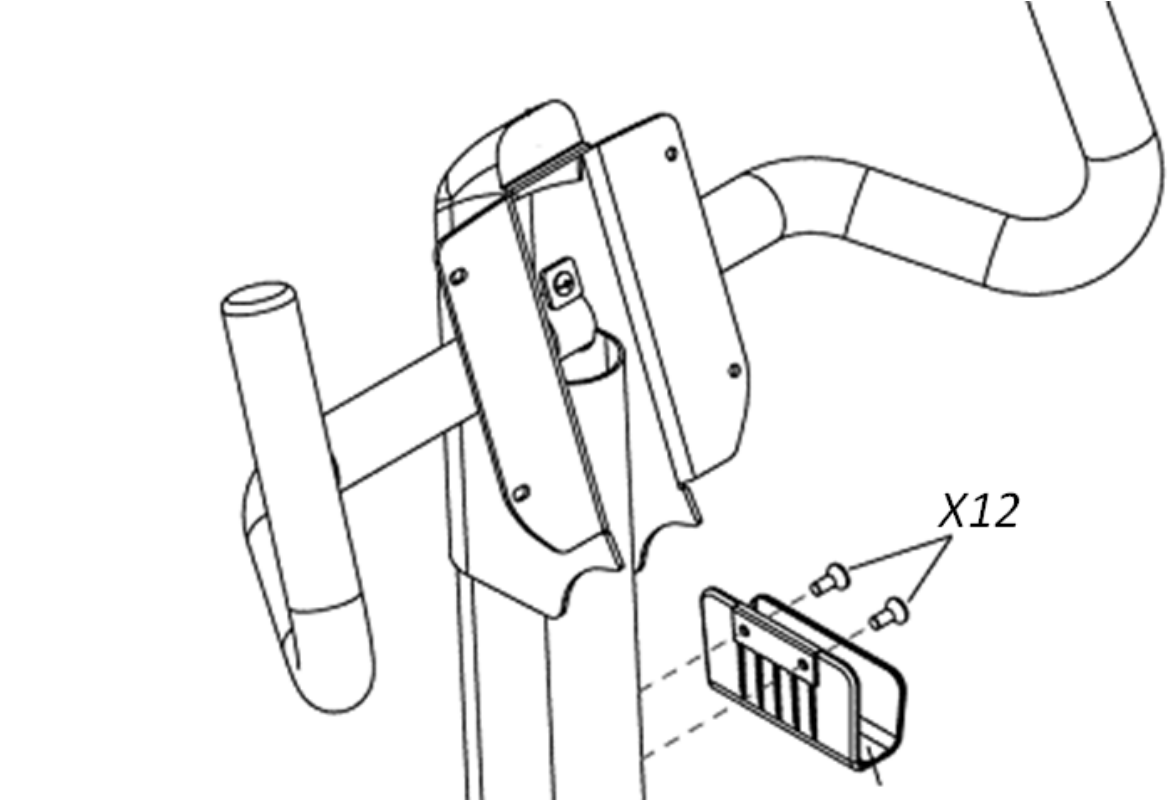
Step 11 Front Mast Assembly:



The diagram shows the front mast assembly being attached to the bike frame. Five screws (X11) are shown being inserted through the front mast into the bike frame. Each screw is accompanied by a split washer (S11) and a flat washer (F11). The front mast is shown in its correct orientation, with the storage dock compartments and front mast handlebars facing the seat assembly. The storage dock is shown being pulled down vertically to cover the bottom of the front mast assembly.

- Install the front mast onto the bike frame; the short bracket on the bike frame should fit inside the front mast tube
- Verify that the front mast is in the correct orientation; the storage dock compartments and front mast handlebars should be facing the seat assembly
- For each hex screw (X11, quantity 5), install through quantity 1 split washer (S11), followed by quantity 1 flat washer (F11)
- Secure the front mast to the bike frame by tightening all 5 screws with the provided 6mm hexwrench
- Verify that the front mast is secured tightly to the bike frame; tighten screws if necessary
- Pull the storage dock down vertically so it covers the bottom of the front mast assembly; the cup holder should fit inside a mating hole on the plastic shrouds

Step 12 Media Holder



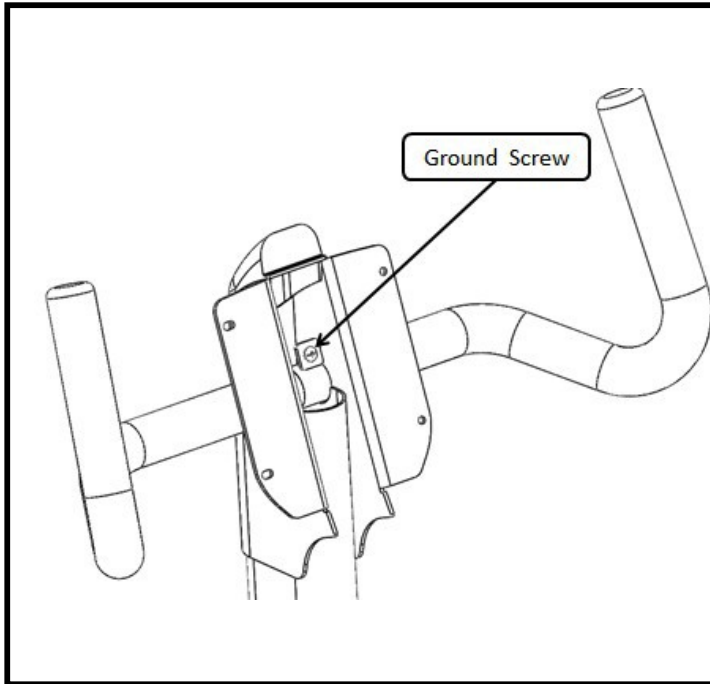
The diagram shows the media holder being attached to the front mast. Two screws (X12) are shown being inserted through the media holder into the front mast. The media holder is shown in its correct orientation, with the front mast through holes aligned with the media holder through holes.

- Align the media holder through holes (quantity 2) with the front mast through holes (quantity 2); verify that the media holder is in the correct orientation (as shown in the diagram above).
- Secure the media holder to the front mast by tightening both screws (X12, quantity 2) with a Phillips head screwdriver (not provided).

CHAPTER 2: ASSEMBLY INSTRUCTIONS

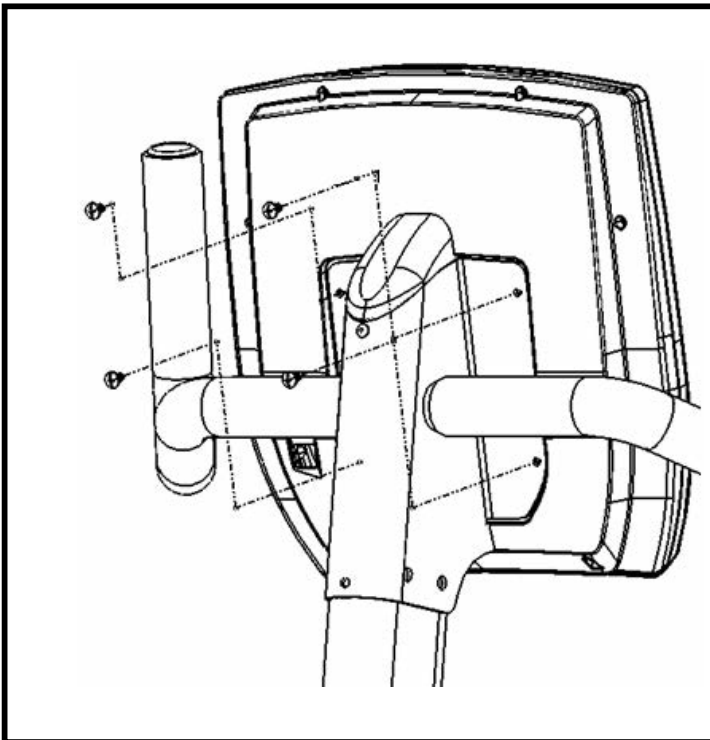
ASSEMBLY STEPS (continued):

Step 14 Console Ground Connection:



- Locate the ground screw; pre-installed into the grounding hole on the front mast console bracket
- Remove the ground screw with a Phillips Head screwdriver (not provided)
- Thread the shaft of the ground screw through the metal ring attached to the green console ground wire (identified on previous page)
- Re-attach the ground screw to the front mast console bracket
- Verify that the metal ground ring is compressed between the head of the ground screw and the console bracket

Step 15 Console Front Mast Attachment:

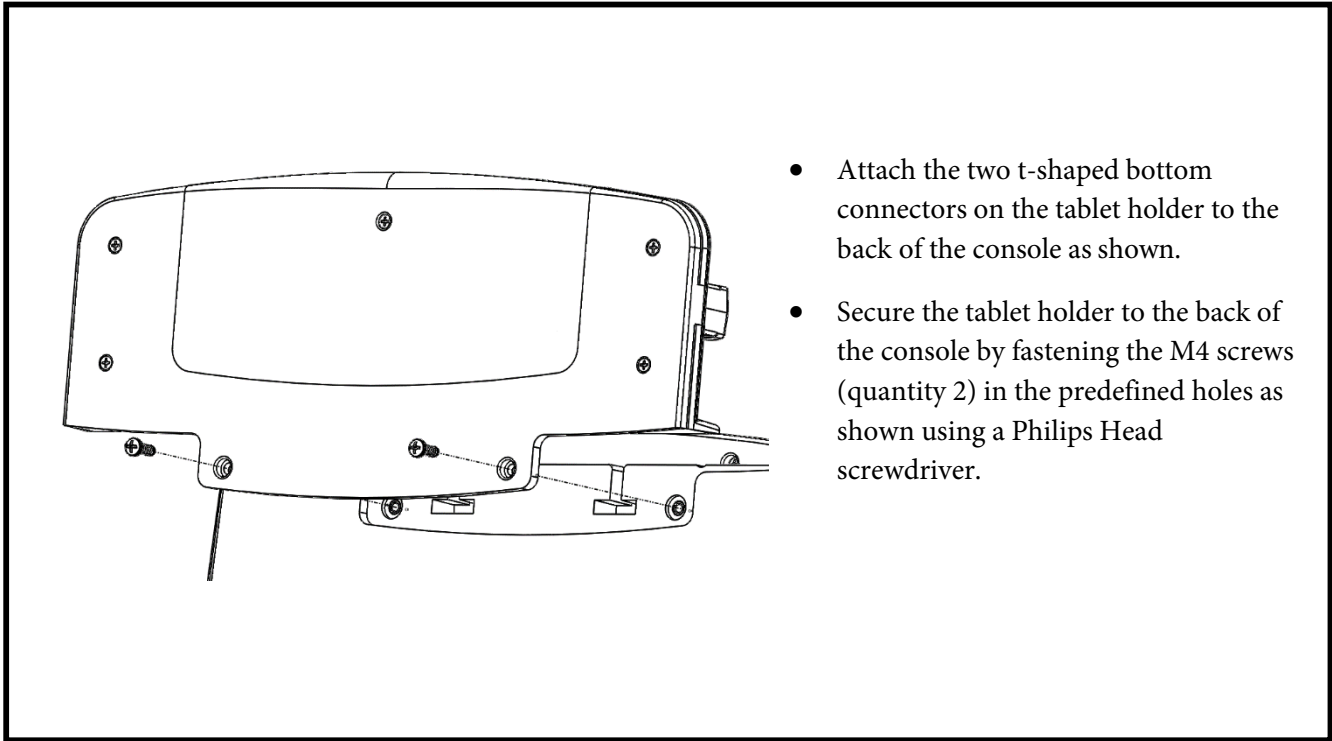


- Locate the console screws (quantity 4); pre-installed into the back of the console
- Remove the console screws with a Phillips Head screwdriver (not provided)
- Tuck access console wires into the top opening of the front mast
- Align the console to the front mast
- Secure the console to the front mast by tightening the console screws (quantity 4) with a Phillips Head screwdriver (not provided)

CHAPTER 2: ASSEMBLY INSTRUCTIONS

ASSEMBLY STEPS (continued):

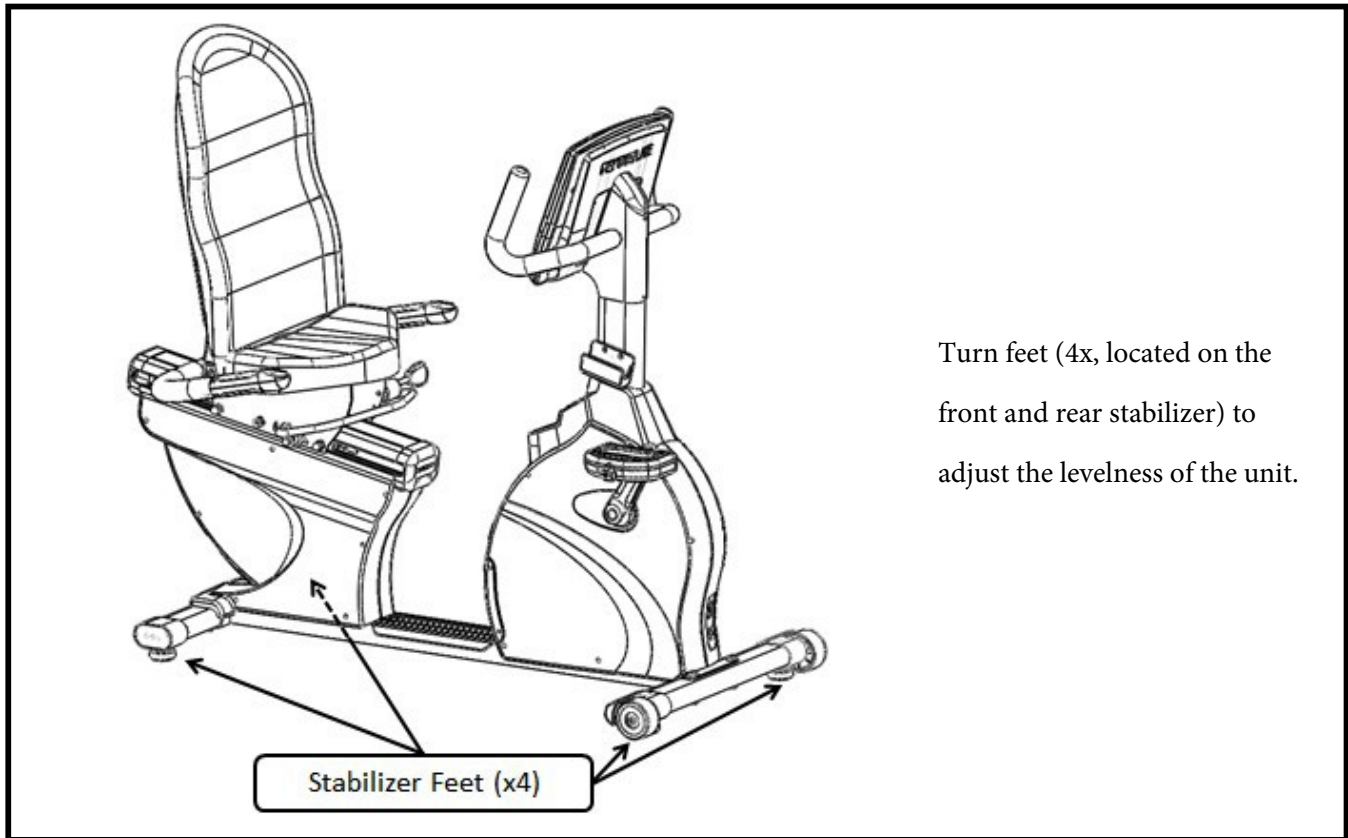
Step 16 Attach Tablet Holder to Console



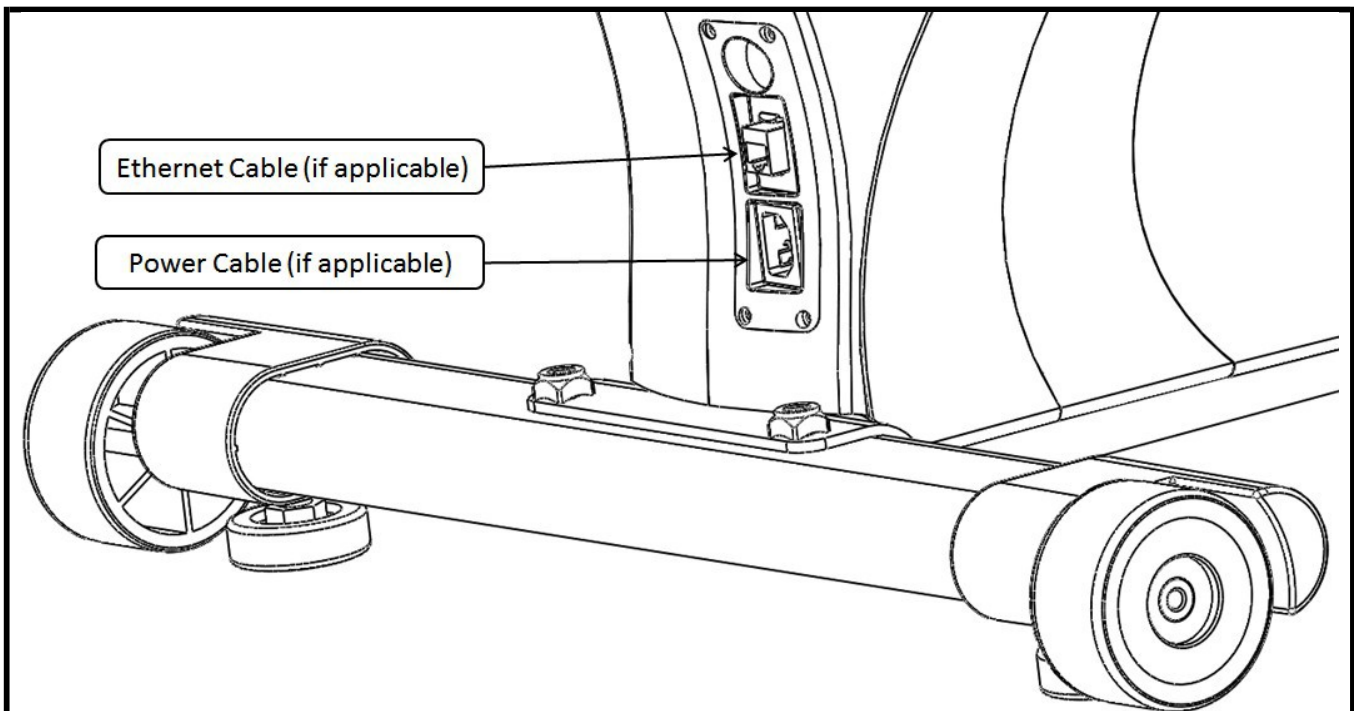
CHAPTER 2: ASSEMBLY INSTRUCTIONS

ASSEMBLY STEPS (continued):

Unit Leveling (if necessary):



Final Unit Connections:

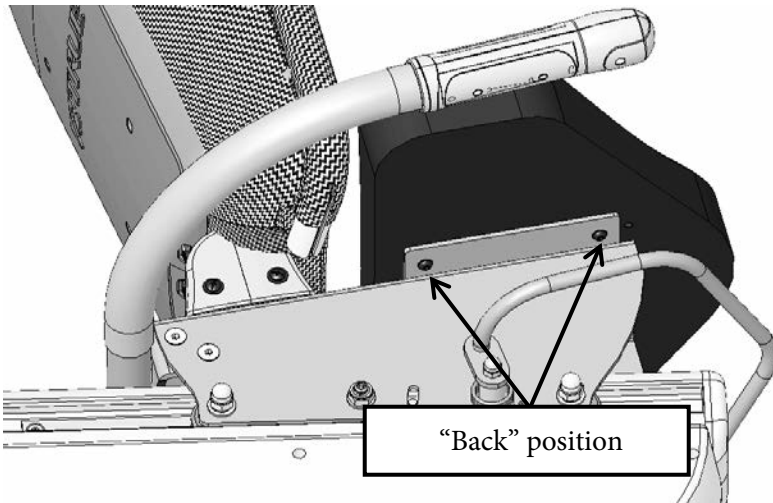


CHAPTER 2: ASSEMBLY INSTRUCTIONS

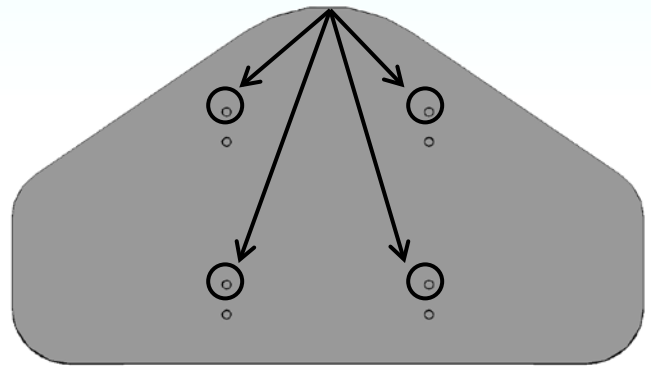
ASSEMBLY STEPS (continued):

Seat Bottom Adjustment (if necessary):

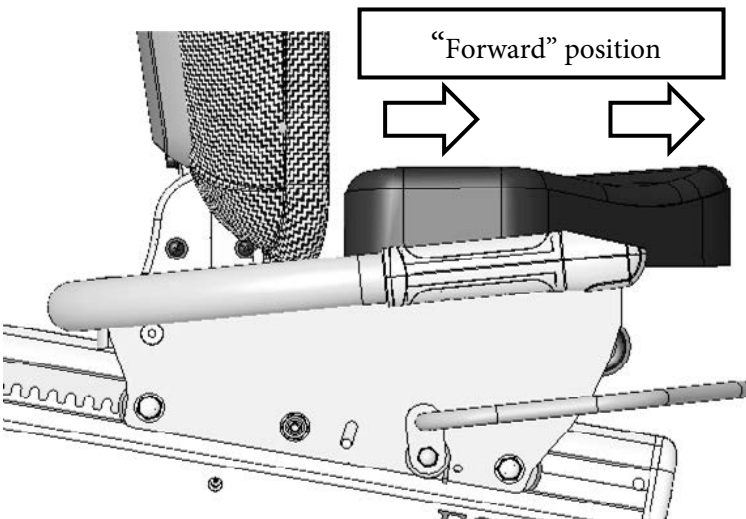
The following information discusses the adjustability of the seat bottom position relative to the mesh seat back.



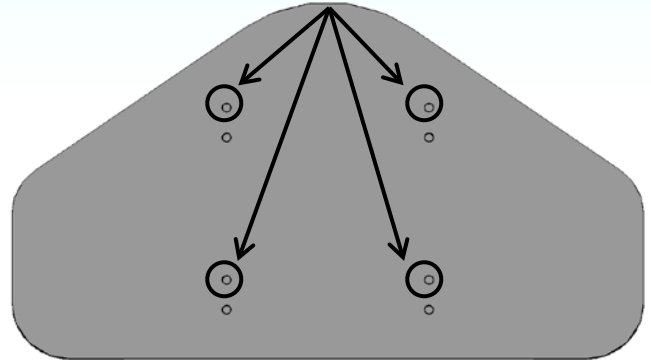
Threaded seat bottom holes used for the "Back" position



The default seat bottom position is towards the back, creating a minimal amount of space between the seat bottom and the mesh seat back.



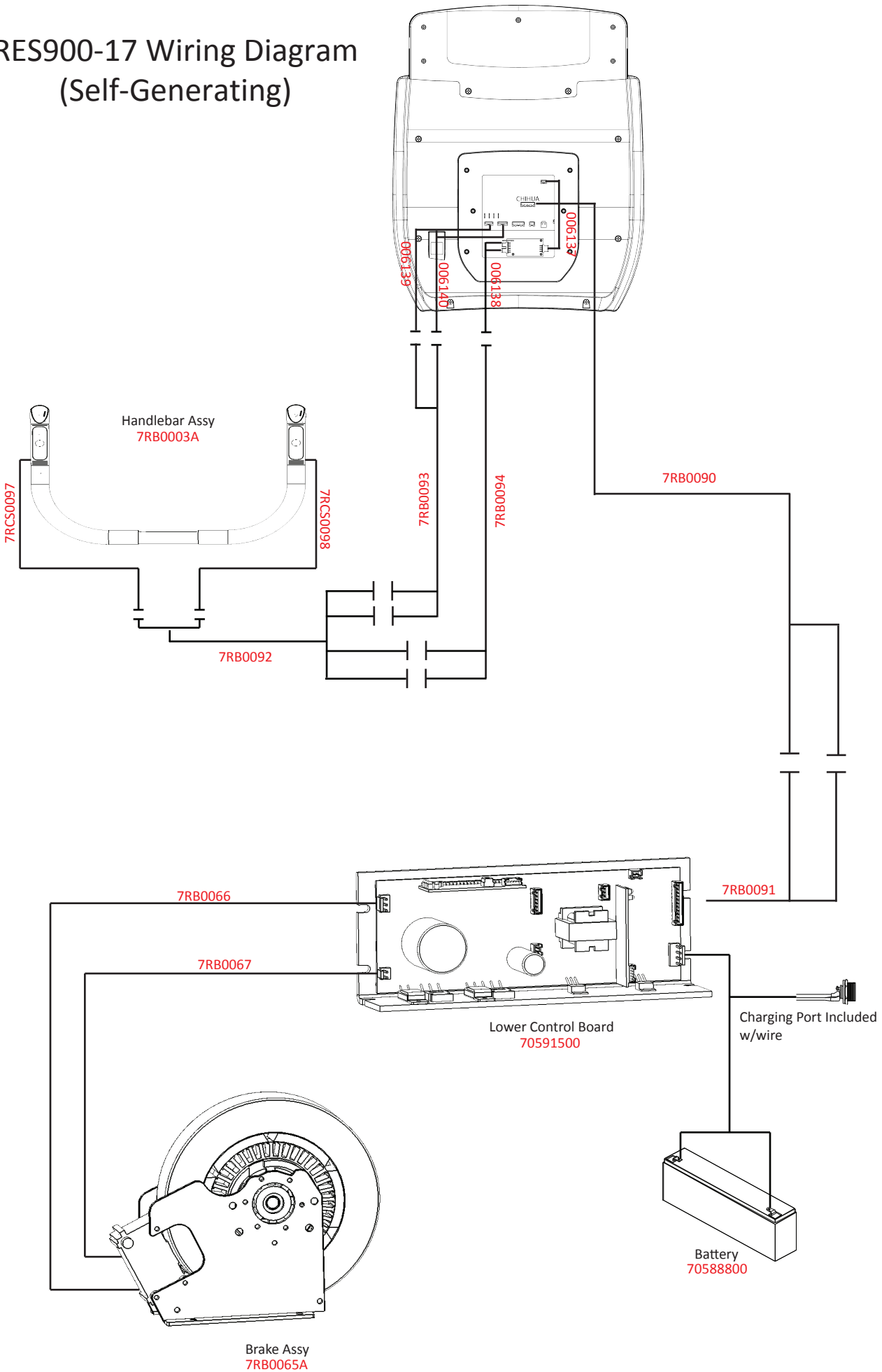
Threaded seat bottom holes used for the "Forward" position

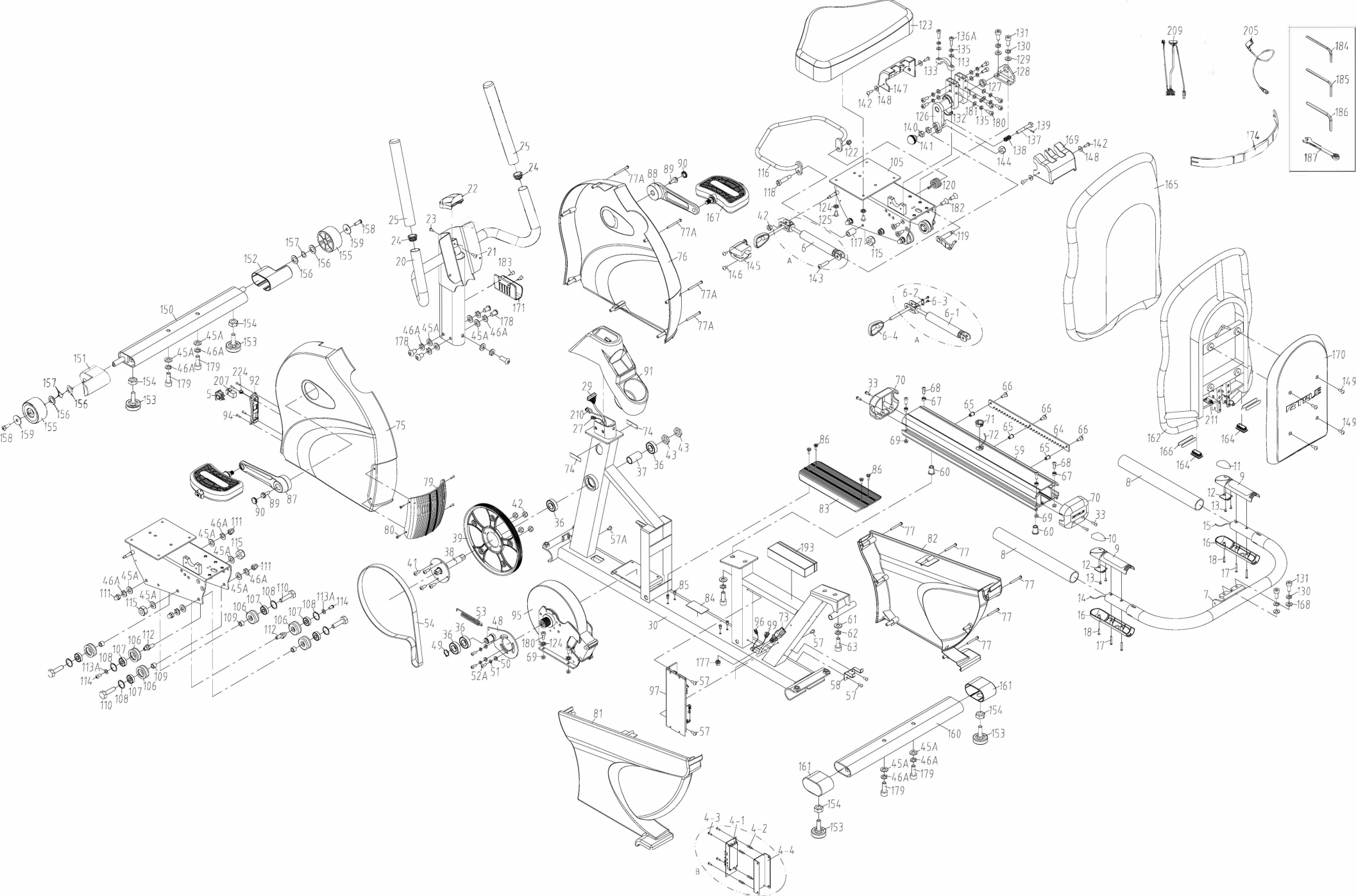


To adjust the seat bottom position forward, creating more room between the seat bottom and the mesh seat back, complete the following steps:

1. Use a hex wrench to uninstall the seat bottom from the seat carriage
2. Slide the seat bottom forward, locating the secondary ("Forward") threaded seat bottom hole positions
3. Use a hex wrench to re-install the seat bottom to the seatcarriage

RES900-17 Wiring Diagram (Self-Generating)





- | | |
|--|-----|
| | 184 |
| | 185 |
| | 186 |
| | 187 |

CHAPTER 3: CARE & MAINTENANCE

CARE & MAINTENANCE:

It is important to perform the minor maintenance tasks described in this section. Failure to maintain the bike as described here could void the TRUE Fitness Warranty.

Inspection:

TRUE Fitness is not responsible for performing or scheduling regular maintenance or inspections.

Users should inspect the bike daily. Look and listen for slipping belts, loose fasteners, unusual noises, and any other indications that the equipment may be in need of service. If any of these are noticed, obtain service. Do not attempt to use the bike until proper service has been performed or damaged parts have been replaced.

Important:

If you determine that the bike needs service, make sure that the bike cannot be used inadvertently. Make sure other users know that the bike needs service.

To order parts or to contact a TRUE Authorized Service representative, please visit www.truefitness.com.

CLEANING THE EQUIPMENT:

After Each Use:

Use GymWipes™ Antibacterial wipes or spray a solution of 30 parts water to 1 part mild detergent to dampen a soft cloth and wipe all exposed surfaces.

Use a LCD/screen cleaner or spray a solution of 1 part 91% isopropyl alcohol and 1 part water to dampen a soft cloth and wipe the surface of the console. This helps remove fingerprints, dust, and dirt.

Weekly:

Vacuum any dust or dirt that might have accumulated under or around the bike or any cover vents.

*Clogged air vents can prevent adequate cooling, causing a shortened life.

CAUTION:

Do not use any acidic cleaners. Doing so will weaken the paint or powder coatings and may void the TRUE Fitness Warranty. Never pour water or spray liquids on any part of the bike. Allow the bike to dry completely before using. Frequently vacuum the floor underneath the unit to prevent the accumulation of dust and dirt, which can affect the smooth operation of the unit.

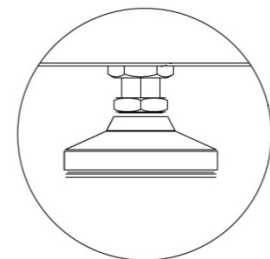
LEVELING THE UNIT:

The bike or elliptical has adjustable feet. Make sure that the running surface is level.

If the bike or elliptical is placed on an uneven surface, adjusting the feet can help, but may not compensate for extremely uneven surfaces.

CAUTION:

If the bike is not level the user may experience knocking or clicking sounds.



CHAPTER 3: CARE & MAINTENANCE

LUBRICATION:

Remove the pedals from the crank quarterly and lubricate the threads that attach the pedal to cranks to prevent corrosion. Reattach the pedals to the crank.

Note the user's left side pedal is reverse threaded

OTHER SCHEDULED PREVENTIVE MAINTENANCE:

TRUE recommends that yearly scheduled maintenance is to be performed by a qualified service technician. Please contact your dealer or visit www.truefitness.com to contact a TRUE local authorized service technician.

Scheduled Preventive Maintenance:

⚠ CAUTION:

- Use only TRUE Fitness certified service providers.
- Check error log in console.
- Remove shroud covers and vacuum any debris out of the speed sensor, control electronics, and moving parts.
- Move unit and vacuum underneath.
- Check belt tension and tracking.
- Inspect all fasteners.
- Inspect all electrical connections.
- Inspect all components for abnormal or premature wear.
- Inspect and lubricate pedal threads on bike to prevent corrosion.

LONG TERM STORAGE:

When the bike is not in use for any length of time, turn it off. Make sure the bike is positioned so that it will not become damaged or interfere with people or other equipment.

Storing the Chest Strap:

Store the chest strap in a place where it remains free of dust and dirt such as, in a closet or drawer. Be sure to protect the chest strap from extremes in temperature. Do not store it in a place that may be exposed to temperatures below 32° F (0° C). To clean the chest strap, use a sponge or soft cloth dampened in mild soap and water. Dry the surface thoroughly with a clean towel.

CHAPTER 4: CUSTOMER SERVICE

CONTACTING SERVICE:

TRUE Fitness recommends that you gather the serial number, model number, and a brief description of the reason for the request. After information has been gathered you may choose to contact your selling dealer or local service company to set an appointment. (If you are not familiar with who is in your area, you may visit our website at www.truefitness.com and use our dealer locator to obtain the contact information for the closest dealer).

You may also contact TRUE Fitness' customer support team by calling 800.883.8783 or e-mailing us at service@truefitness.com Monday – Friday during normal business hours.

TRUE FITNESS SERVICE DEPARTMENT

865 HOFF ROAD

ST. LOUIS, MO 63366

1.800.883.8783

HOURS OF OPERATION: 8:30 A.M. - 5:00 P.M. CST

E-MAIL: service@truefitness.com

CONTACTING SALES:

Interested in TRUE Products? Please contact us with any sales or product inquires so that we may direct you to the appropriate sales representative to answer your questions.

TRUE FITNESS HOME OFFICE

865 HOFF ROAD

ST. LOUIS, MO 63366

1.800.426.6570

HOURS OF OPERATION: 8:30 A.M. - 5:00 P.M. CST

E-MAIL: sales@truefitness.com

CHAPTER 4: CUSTOMER SERVICE

REPORTING FREIGHT OR PARTS DAMAGE:

Unfortunately, sometimes materials can be damaged during shipment. If materials are damaged during shipment, please follow the guidelines below to determine the appropriate process for you to follow in case of damages.

Severe Damage:

Obvious damage to external packaging / internal product. Please **refuse** the shipment and it will be returned to TRUE Fitness by the carrier. Contact the TRUE Fitness customer support team by calling 800.883.8783 or sales support team by calling 800.426.6570 Monday-Friday during normal business hours to notify us that the shipment has been refused. Once we have received the damaged shipment, a replacement shipment will be sent to you. Only refuse the damaged piece if the shipment is multiple boxes.

Slight Damage:

The box may have minimal damages and you are not sure if the actual product is damaged or not. You **must** sign the bill of lading as damaged when accepting the shipment. Once you have opened the box and you have determined something is indeed damaged please gather the serial number, model number, description and photos of damages. Please make sure the photos include the damaged product as well as the damaged box the product arrived in. Contact the TRUE Fitness customer support team by calling 800.883.8783 or sales support team by calling 800.426.6570 Monday-Friday during normal business hours.

Concealed Damage:

You may receive a shipment that looks intact and discover once the box has been opened that there are hidden damages. Please notify the carrier **immediately**. We will not be able to file a claim if the carrier is not notified in a timely manner. Once you have called the carrier you will need to gather the serial number, model number, description and photos of damages. Contact the TRUE Fitness customer support team by calling 800.883.8783 or sales support team by calling 800.426.6570 Monday-Friday during normal business hours.

CHAPTER 5: ADDITIONAL INFORMATION

TROUBLESHOOTING GUIDE:

This troubleshooting guide is intended to assist in diagnostics only and is not all inclusive. Technical specifications, error codes and programming are subject to change without notice. TRUE accepts no liability for any damage or loss suffered by persons whom rely wholly or in part on any description or statement contained within this manual. Please visit www.truefitness.com to obtain the most recent version of all manuals and contact the TRUE Service Department at 800-883-8783 for assistance with troubleshooting and diagnostics.

Malfunction	Possible Cause	Corrective Action
No Power	Optional ERP board damaged	Contact True Fitness Customer Service Department
	Motor control board damaged	Contact True Fitness Customer Service Department
Unit resets or pauses randomly	Error code is displayed on console	Contact True Fitness Customer Service Department
	Speed sensor out of alignment	Contact True Fitness Customer Service Department
	Pinched or loose main communication cable	Contact True Fitness Customer Service Department
Resistance hesitates or slips when pedaling	Loose belt tension	Contact True Fitness Customer Service Department
Rubbing or knocking sound from unit when in operation	Uneven floor	Adjust equipment with leveling feet.
	Loose hardware	See Chapter 5: inspections
	Loose Pedal	See Chapter 5: inspections
	Bearings may be damaged	Contact True Fitness Customer Service Department
	Brake assembly may be damaged	Contact True Fitness Customer Service Department
	Drive belt may be misaligned	Contact True Fitness Customer Service Department
Heart rate is displaying erratically or not displaying	Transmitter belt contacts are not making good contact with the skin	Readjust the transmitter belt so that it is in full contact with the skin
	Contacts on the transmitter belt are not moist	Moisten the contacts on the transmitter belt
	Transmitter belt is not within 3 feet (1 meter) of the heart rate receiver	Adjust your position on the belt so that you are within 3 foot (1 meter) of the console
	Transmitter belt is not the correct frequency or is encoded	Polar equip or compatible receiver use 4.8kHz un-encoded receiver

CHAPTER 5: ADDITIONAL INFORMATION

TROUBLESHOOTING GUIDE (continued):

Heart rate is displaying erratically or not displaying (continued)	The battery inside the transmitter belt is depleted	Replace the transmitter belt with a compatible transmitter belt
	Another user wearing a compatible transmitter strap is within 3 foot (1 meter) of the unit	Move the units so that there is more space in-between units
	Environmental interference from high voltage power lines	Move the unit to another position within the room or move the cause of the interference until heart rate reading are stable. If the probable source of interference is plugged into the same outlet move the suspect source to another outlet.
	Environmental interference from computers	
	Environmental interference from motor driven appliances	
	Environmental interference from cell or cordless phone	
	Environmental interference from Wi-Fi router	

CHAPTER 5: ADDITIONAL INFORMATION



Residential Limited Warranty ES900 Upright Bikes

Save time and register online!

Activate Multiple Warranties at truefitness.com.

All TRUE® Fitness products are distributed by TRUE and are warranted to the original registered Product purchaser and the parts of the TRUE product (the "Product") listed below, under normal use and service, shall be free of manufacturing defects in workmanship and materials only for the period of time beginning from the original date of purchase set forth below:

Frame*	Lifetime
Parts	
Electrical	10 Years
Touchscreen	7 Years
Wear Items	10 Years
Cosmetics	6 Months
Labor	1 Year
Parts	6 Months
Cosmetics	
Device Connectivity	
Parts	90 Days Parts,
Cosmetics	No Labor

NOTE: Warranty valid for USA and Canada only.

NOTE: Failure to register this product will result in no servicing or authorization of parts to be shipped.

NOTE: Buying after-market products from a 3rd party will result in voided warranty.

NOTE: This product is intended for in-home use only. Do not use this bike in a commercial or institutional setting. Doing so may void the expressed warranty.

Frame

The frame is warranted for defects in material and workmanship for as long as the original purchaser owns the Product. The frame is warranted for labor and freight (for parts shipped from TRUE) for one year from date of purchase. * This limited warranty on structural frame does not include paint or coatings.

Parts

The bike electrical parts and wear items are warranted for defects in material and workmanship for ten years with one year labor warranty. The touchscreen console is warranted for defects and materials and workmanship for seven years with one year labor warranty. This limited warranty does not cover damage or equipment failure resulting from or caused by improper assembly/installation, failure to follow instructions and warnings in owner's manual, accident, misuse, abuse, unauthorized modification, or failure to provide reasonable and necessary maintenance. *True Fitness shall not warrant the performance of the heart rate system on its products, as the heart rate system performance varies, based on user's physiology, age, method of use and other factors. * This limited warranty shall not apply to Software version upgrades.

Cosmetics

The bike cosmetic parts are warranted for defects in material and workmanship for six months with labor warranty to match the parts warranty period. This limited warranty does not cover damage or equipment failure resulting from or caused by improper assembly/ installation, failure to follow instructions and warnings in owner's manual, accident, misuse, abuse, unauthorized modification, or failure to provide reasonable and necessary maintenance. This limited warranty will apply, but may not be limited to paint/coatings, covers/caps, badges, overlays, pedal, pedal strap, and seat cushions.

Device Connectivity

Device Connectivity elements; headphone jack and USB port are warranted for defects in material and workmanship for 90 days with no labor warranty.

Labor

Labor is covered for a period of one year from the date of purchase unless otherwise expressed within this limited warranty as long as a TRUE authorized service provider performs the service. Service that requires over 50 miles of travel may be subject to additional charges.

Reasonable and necessary maintenance guidelines can be found in the owner's manual.

Claims Procedure

TRUE Limited Warranty service may be obtained by contacting the authorized TRUE dealer from whom the Product was purchased. If the dealer from whom the Product was purchased is no longer an authorized TRUE dealer, then TRUE Limited Warranty service may be obtained by contacting TRUE directly using the following information:

TRUE Fitness, Service Department

865 Hoff Rd.

St. Louis, MO.

63366

1-800-883-8783, (Hours of operation 8:30am - 5:00 pm CST)

truefitness.com / 800.426.6570 / 1.636.272.7100

CHAPTER 5: ADDITIONAL INFORMATION



Residential Limited Warranty ES900 Upright Bikes

Save time and register online!

Activate Multiple Warranties at truefitness.com.

The above Limited Warranty is subject to and will be in accordance with the conditions set forth below:

1. THIS LIMITED WARRANTY GIVES YOU SPECIFIC LEGAL RIGHTS AND YOU MANY ALSO HAVE OTHER RIGHTS, WHICH VARY FROM STATE TO STATE.
2. This Limited Warranty can be processed only if the Warranty Registration Form is completed on-line; or if the attached form is filled in, signed by the original purchaser and mailed to TRUE within 30 days of purchaser's receipt of this Product. The serial number must be intact on the Product for this Limited Warranty to be valid.
3. This Limited Warranty applies to the product only while the Product remains in the possession of the original purchaser and is not transferable.
4. This Limited Warranty becomes VALID ONLY if the Product is initially assembled/installed by a TRUE authorized dealer/ technician (if anyone other than a TRUE authorized dealer/ technician initially assembles and installs the Product, this Limited Warranty will be void unless the written authorization of TRUE is first obtained).
5. This Limited Warranty does not cover damage or equipment failure resulting from or caused by improper assembly/ installation, failure to follow instructions and warnings in owner's manual, accident, misuse, abuse, unauthorized modification, or failure to provide reasonable and necessary maintenance (as referenced in the owner's manual.)
6. This Limited Warranty applies only to the cost of repair or replacement of parts and does not include labor (beyond the above warranty period), transportation, service, return and freight charges associated therewith except as expressly specified herein.
7. This Limited Warranty shall not apply to: Service calls to correct installation of the equipment or instruction to owners on how to use the equipment; or any labor costs incurred beyond the applicable labor warranty period.
8. This Limited Warranty, which is given expressly and in lieu of all other express warranties, constitutes the only warranty made by TRUE.
9. ANY IMPLIED WARRANTY, INCLUDING WITHOUT LIMITATION THE WARRANTIES OF MERCHANTABILITY AND FITNESS FOR A PARTICULAR PURPOSE, IS LIMITED IN DURATION AND REMEDY TO THE TIME PERIOD COVERED BY THE LIMITED WARRANTY. SOME STATES DO NOT ALLOW LIMITATIONS ON HOW LONG AN IMPLIED WARRANTY LASTS, SO THE ABOVE LIMITATION MAY NOT APPLY TO YOU.
10. THE REMEDIES DESCRIBED ABOVE ARE YOUR SOLE AND EXCLUSIVE REMEDIES AND TRUE'S ENTIRE LIABILITY FOR ANY BREACH OF THIS LIMITED WARRANTY. TRUE'S LIABILITY SHALL UNDER NO CIRCUMSTANCES EXCEED

THE ACTUAL AMOUNT PAID BY YOU FOR THE PRODUCT, NOR SHALL TRUE UNDER ANY CIRCUMSTANCES BE LIABLE FOR ANY CONSEQUENTIAL, INCIDENTAL, SPECIAL OR PUNITIVE DAMAGES OR LOSSES, WHETHER DIRECT OR INDIRECT. SOME STATES DO NOT ALLOW THE EXCLUSION OR LIMITATION OF INCIDENTAL OR CONSEQUENTIAL DAMAGES, SO THE ABOVE LIMITATION OR EXCLUSION MAY NOT APPLY TO YOU.

NOTE TO AUTHORIZED WARRANTY LABOR PROVIDERS:
Warranty labor reimbursement or warranty parts rights may not be transferred to, reassigned to, a third party without the express written consent of TRUE. Even jobbing out warranty labor requires TRUE's written approval.

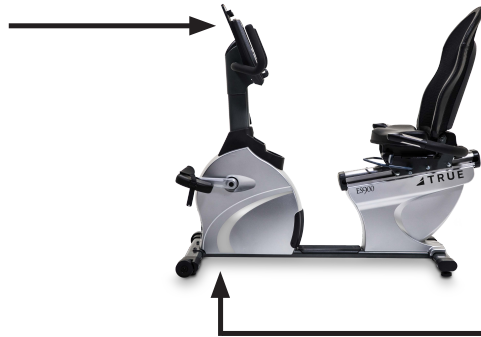
BIKE SERIAL NUMBERS:

The Bike comes with two serial numbers; one on the base and one on the display console (see diagram below). The serial number on the base is located on the bottom of the crossbar. The console serial number is located on the bottom right side of each console. Please write down your serial numbers below and keep for your records.

CONSOLE SERIAL NUMBER:

BASE SERIAL NUMBER:

CONSOLE SERIAL NUMBER:



BASE SERIAL NUMBER:

SAMPLE SERIAL NUMBER STICKER:



truefitness.com / 800.426.6570 / 1.636.272.7100

KEEP THIS PAGE FOR YOUR RECORDS

Truefitness.com / 800.426.6570 / 636.272.7100

CHAPTER 5: ADDITIONAL INFORMATION



Residential Limited Warranty ES900 Upright Bikes

Thank you for purchasing a TRUE product. To validate the TRUE product warranty the fast and easy way, **please go online now to www.truefitness.com and register your product.** The information you provide will never be distributed to any other individuals or agencies for any purpose. If you prefer to mail your warranty card, have the owner of the product complete the information below and return it to TRUE Fitness Technology within **30 days** from the date of equipment installation.

To mail your warranty information, please fill in the information below (or save postage and register online at www.truefitness.com):

Residential Warranty Registration

Model Type: Treadmill Elliptical Bike _____

Other _____

Date of Purchase _____

Purchased From (dealer name) _____

First Name _____

Last Name _____

Address _____

City _____ State _____ ZIP _____

Email Address _____

Phone _____

1. Where did you first learn about TRUE?

- a. Dealer b. Website
 c. Referral d. Gym/Club
 e. Current Customer f. Other _____

2. The primary user(s) is:

- a. Male b. Female
 c. Both

3. Do you currently belong to a health club?

- a. Yes b. No

4. Your age group:

- a. Under 25 b. 25-35
 c. 36-45 d. 46-55
 e. 56-65 f. 65+

5. What was the primary reason you bought a TRUE product? (Check only one)

- a. Design/Appearance b. Dealer
 c. Price d. Ease of Operation
 e. Quality of Construction f. Size
 g. Reputation h. Warranty
 i. Friend/Family Recommendation

6. Do you plan to purchase more fitness equipment in the next 6-12 months?

- Yes No

7. If you answered "yes" to question 6, what type do you plan to purchase?

- a. Treadmill b. Elliptical
 c. Stationary Bike d. Free Weights
 e. Gym c. Other _____

8. What is your annual household income? (Optional)

- a. Under \$50,000
 b. \$50,000 - \$75,000
 c. \$75,000 - \$100,000
 d. \$100,000 - \$150,000
 e. \$150,000+

9. You are a valued customer of TRUE and your suggestions allow us to continually improve your experience. Is there anything else you would like us to know? Please explain:

CONSOLE SERIAL NUMBER:

BASE SERIAL NUMBER: