



* Assembly Guide & Warranty Card Included

CS200 TREADMILL OWNER'S MANUAL



CS200 TREADMILL OWNERS MANUAL

IMPORTANT:

All Products shown are prototype. Actual product delivered may vary.
Product specifications, features & software are subject to change without notice.
For the most up to date owner's manual please visit www.truefitness.com.
For documents in additional languages please visit www.truefitness.com/document-library/29/international-manuals

IMPORTANTE:

Todos los productos mostrados son prototipos. La realidad el producto suministrado puede diferir.
Especificaciones de productos, características y software están sujetas a cambios sin previo aviso.
Para la más actualizada de este manual del propietario, por favor visite www.truefitness.com
Para los documentos en otros idiomas, por favor visite www.truefitness.com/document-library/29/international-manuals

IMPORTANT:

Tous les produits présentés sont prototype. Le produit réel livré peut varier.
Spécifications du produit, caractéristiques et logiciels sont sujettes à modification sans préavis.
Pour la plus à jour le manuel du propriétaire s'il vous plaît visitez www.truefitness.com.
Pour documents dans des langues supplémentaires, veuillez www.truefitness.com/document-library/29/international-manuals de visite

重要提示：

显示所有产品的原型。实际交付的产品可能有所不同
产品规格，功能和软件如有更改，恕不另行通知
迄今为止对于大多数的使用说明书，请访问www.truefitness.com
对于其他语言的文档，请访问www.truefitness.com/document-library/29/international-manuals

هام:

جميع المنتجات المعروضة هي النموذج. قد تختلف المنتج الفعلي تسليمها.
مواصفات المنتج، والميزات والبرامج قابلة للتغيير دون إشعار.
www.truefitness.com ما يصل حتى الآن دليل المالك يرجى زيارة
www.truefitness.com/document-library/29/international-manuals للمستندات في لغات إضافية، يرجى زيارة

WICHTIG:

Alle hier gezeigten Produkte sind Prototypen. Das tatsächliche Produkt ausgeliefert wird, kann variieren.
Produkt-Spezifikationen, Funktionen und Software können sich ohne vorherige Ankündigung ändern.
In den meisten Fällen bis zu Bedienungsanleitung Bisher besuchen Sie bitte www.truefitness.com.
Für Dokumente in weiteren Sprachen finden Sie unter www.truefitness.com/document-library/29/international-manuals

BELANGRIJK:

Alle getoonde producten zijn prototype. Daadwerkelijke product geleverd kan verschillen.
Product specificaties, eigenschappen & software zijn onderhevig aan verandering zonder kennisgeving.
Voor de meest actuele handleiding van de eigenaar kunt u terecht www.truefitness.com.
Voor documenten in andere talen kunt u terecht op www.truefitness.com/document-library/29/international-manuals

ВАЖНО:

Все товары указаны прототипа. Фактический продукт, поставляемый могут отличаться.
Технические характеристики, особенности и программного обеспечения могут быть изменены без предварительного уведомления.
Для получения самой последней на сегодняшний день руководство по эксплуатации пожалуйста, посетите www.truefitness.com.
Для документов на другие языки, пожалуйста, посетите www.truefitness.com/document-library/29/international-manuals

CS200 TREADMILL OWNERS MANUAL

Frank Trulaske, founder and CEO of TRUE, has had the same simple philosophy of delivering superior products, service and support for over 30 years. Today, TRUE is the global leader in premium cardio equipment for the commercial and residential markets. Our goal is to be the leader in technology, innovation, performance, safety and style. TRUE has received many awards for its commercial and retail product over the years and remains the benchmark for the industry. Fitness facilities and consumers invest in TRUE products for their durable commercial platforms used in all its cardio products, both commercial and residential alike.

The proud manufacturing tradition of quality and the culture of innovation at TRUE have given rise to a full line of truly extraordinary treadmills, indoor cycles and elliptical cross-trainers. As a result, people all over the world are benefiting from the TRUE experience. Innovation across the full product line has made TRUE successful and is a trademark of the TRUE heritage. TRUE's patented Heart Rate Control® technology is just one of the remarkable ways we deliver simple and superior performance every user can enjoy, and most importantly, use to achieve personal health and fitness goals.

TRUE strives to perfect biomechanically correct and orthopedically comfortable, functional products. Whether it be the mesh seat in the recumbent bike, the Soft Step® in the elliptical cross-trainers or the Soft System® in our treadmills, we deliver the best.

At the heart of our success is the relentless and systematic life testing of both our products and their components. We have dedicated employees who understand our philosophy is to deliver the best products in the world.

Our goal is not to sell the most cardio products in the world, but to deliver the world's best premium equipment for our customers' health and fitness solutions.

To own a TRUE machine is to be part of an exclusive fitness community that delivers results – your results.

Thank you for becoming a part of the TRUE experience.

TRANSCEND ALL OTHERS!

CS200 TREADMILL OWNERS MANUAL

TABLE OF CONTENTS:

Chapter 1: Safety Instructions

Safety Instructions.....	1
Use of Safety Key.....	4
Space Requirements.....	4
Grounding Instructions.....	5
Power Requirements.....	6
Warning Decals.....	7
Compliances.....	7

Chapter 2: Assembly Instructions

Pre-Assembly Checklist.....	9
Assembly Steps.....	11
Wiring Diagrams.....	19

Chapter 3: Product Overview

Treadmill Overview.....	21
-------------------------	----

Chapter 4: Programming & Operation

Heart Rate Monitoring.....	23
Heart Rate Control.....	24
Program Descriptions.....	25
Console Overview.....	27
Console Navigation.....	29
Advanced Console Functions.....	31

Chapter 5: Care & Maintenance

Care & Maintenance.....	33
Cleaning the Equipment.....	33
Running Belt Alignment.....	34
Tensioning the Running Belt.....	35
Treadmill Lubrication.....	35
Leveling the Treadmill.....	36
Other Scheduled Preventive Maintenance.....	36
Long Term Storage.....	36

Chapter 6: Customer Service

Contacting Service.....	37
Contacting Sales.....	37
Reporting Freight Claims or Parts Damage.....	38




Chapter 7: Additional Information

Troubleshooting Guide.....	39
Product Specifications.....	41
Warranty Information.....	43








CHAPTER 1: SAFETY INSTRUCTIONS

IMPORTANT SAFETY INSTRUCTIONS SAVE THESE SAFETY INSTRUCTIONS


This treadmill is intended for a commercial or institutional setting. This owner's manual should be accessible to all personal trainers, faculty, and members.


-  WARNING: All EXERCISERS MUST READ ALL INSTRUCTIONS BEFORE USING THE TREADMILL.
-  WARNING: Heart rate monitoring systems may be inaccurate for some individuals. Over-exercising may result in serious injury or death. If you feel faint, stop exercising immediately.
-  WARNING: Equipment should be immediately taken out of use if it fails to work properly or when a warning is presented electronically.

TRUE STRONGLY recommends seeing a physician for a complete medical exam before undertaking an exercise program, particularly if the user has a family history of high blood pressure or heart disease, is over the age of 45, smokes, has high cholesterol, is obese or has not exercised regularly in the past year. Additionally, TRUE recommends consulting a fitness professional on the correct use of this product. If at any time while exercising the user experiences faintness, dizziness, pain or shortness of breath, he or she must stop immediately.

-  WARNING: To reduce the risk of electrical shock, always unplug this TRUE product before cleaning or attempting any maintenance activity. Do not handle the plug with wet hands.
-  WARNING: To reduce the risk of burns, fire, electric shock or injury, it is imperative to connect each product to a properly grounded 110V electrical outlet. A risk of electrical shock may result from improper connection of the equipment's grounding conductor. Check with a qualified electrician if you are unsure about proper grounding techniques. Do not modify the plug provided with this product. If it will not fit an electrical outlet, have a proper outlet installed by a qualified electrician. Your TRUE Fitness product must be properly grounded to reduce risk of shock if the treadmill malfunctions. Your treadmill is equipped with an electrical cord, which includes an equipment grounding conductor and a grounding plug. The plug must be inserted into an outlet that has been properly installed and grounded in accordance with all local codes and ordinances. A temporary adapter cannot be used to connect this plug to a two-pole receptacle in North America. If a properly grounded 15 amp outlet is not available, a qualified electrician must install one.
-  WARNING: Do not move the equipment by lifting the console. Do not use the console as a handlebar during a workout.
-  WARNING: This product contains chemicals known to the state of California to cause cancer and birth defects or other reproductive harm.
-  WARNING: Keep equipment stable on flat ground.
-  WARNING: Replace warning labels that may be worn, damaged or missing
-  WARNING: Replace any non-working or damaged components; remove the unit from service until repair is performed.

CHAPTER 1: SAFETY INSTRUCTIONS

-  **WARNING:** To reduce the risk of burns, fire and electric shock or injury to persons, follow these instructions:
- This appliance should never be left unattended when plugged in.
 - Do not use any type of extension cord with this product.
 - Unplug it from the outlet when not in use and before any servicing.
 - Do not operate the equipment while being covered with a blanket, plastic, or anything that insulates or stops airflow.

-  **WARNING:** Risk of personal injury-crushing hazard when treadmill is in operation - Keep feet, hands, and fingers away from moving parts.

CAUTION:

- Health related injuries may result from incorrect or excessive use of exercise equipment.
- Do not use typing or web surfing features at excessive speeds. Always stabilize yourself by holding a stationary handle when using typing or web surfing features. (Varies by console option)
- Do not use the contact heart rate grips as a handlebar during a workout.
- Any changes or modifications to this equipment could void the product warranty.
- To disconnect, turn power OFF at the ON/OFF switch if applicable, then remove plug from electrical outlet.
- Never operate a TRUE product if it has a damaged power cord or electrical plug, or if it has been dropped, damaged, or even partially immersed in water. Contact TRUE Customer Service for a replacement.
- Use a TRUE AC power cord or AC/DC adapter only.
- *Note the plug configuration for the power adapter may vary by country.
- Position this product so the power cord plug is accessible to the user.
- Keep the power cord away from heated surfaces. Do not pull the equipment by the power cord or use the cord as a handle. Do not run the power cord along the side or under the treadmill.
- If the electrical supply cord is damaged it must be replaced by the manufacturer, an authorized service agent, or a similarly qualified person to avoid a hazard.
- Do not use this product in areas where aerosol spray products are being used or where oxygen is being administered. Such substances create the danger of combustion and explosion.
- Always follow the console instructions for proper operation.
- Close supervision is necessary when used near children under the age of 15, or disabled persons.
- Do not use this product outdoors, near water, while wet, or in areas of high humidity including extreme temperature changes
- Never operate a TRUE product with the air openings blocked. Keep air openings free of lint, hair or any obstructing material.
- Never insert objects into any openings in this product. If an object should drop inside, turn off the power, unplug the power cord from the outlet and carefully retrieve it. If the item cannot be reached, contact TRUE Customer Service.
- Never place liquids of any type directly on the unit except in the accessory tray or bottle holders. Containers with lids are recommended.
- Wear shoes with rubber or high traction soles. Do not use shoes with heels, leather soles, cleats or spikes. Make sure no stones are embedded in the soles. Do not use this product in bare feet. Keep all loose clothing, shoelaces and towels away from moving parts.
- Do not reach into or underneath the unit, or tip it on its side during operation.

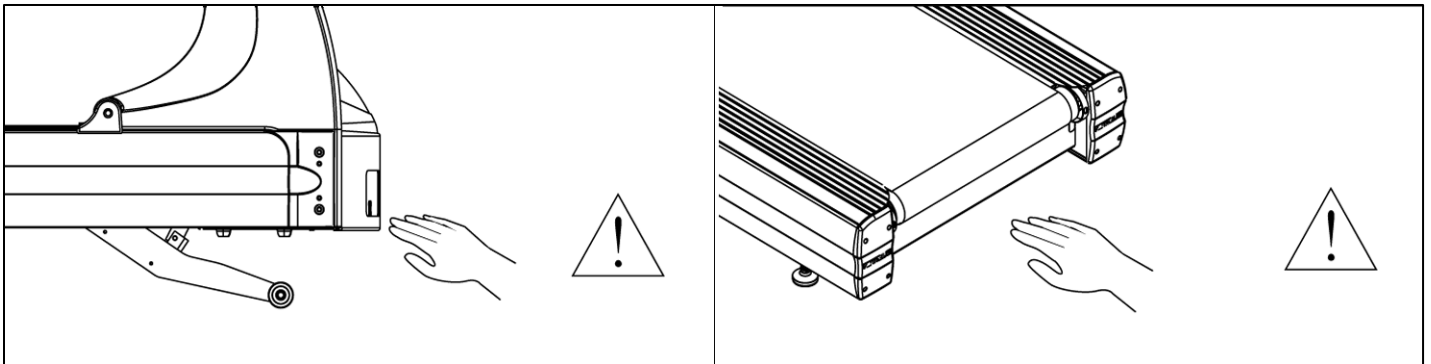
CHAPTER 1: SAFETY INSTRUCTIONS

⚠ CAUTION (CONTINUED):

- Use correct ergonomic positioning while running on treadmill.
- Do not allow animals on or near the equipment while in operation.
- Use the side handrails whenever additional stability is required. In case of emergency, such as tripping, the side handrails should be grabbed and the user should place his/her feet on the side platforms. The front handlebars should be used to grasp the heart rate sensors or to rest the hand on while operating the activity zone keys, but not for stability, emergency, or continuous use.
- Do not exceed maximum user weight of 400 lbs (181 kg).
- Do not use if you have a cold or fever.
- When using this exercise machine, basic precautions should always be followed.
- Use this equipment only for its intended use as described in this manual.
- Do not use attachments not recommended by the manufacturer.
- Allow only trained personnel to service this equipment.
- Avoid the possibility of bystanders being struck or caught between moving parts by making sure that they are out of reach of the equipment while it is in motion.
- This appliance can be used by children aged from 8 years and above and persons with reduced physical, sensory or mental capabilities or lack of experience and knowledge if they have been given supervision or instruction concerning use of the appliance in a safe way and understand the hazards involved.
- Children shall not play with the appliance.
- Cleaning and user maintenance shall not be made by children without supervision.
- Allow only one person at a time on the equipment while it's operating.
- It is the sole responsibility of the owner/operator to ensure regular and scheduled maintenance is performed.
- To avoid injury stand on the side rails before starting the treadmill.
- Avoid exiting treadmill while leaving the tread belt in motion.
- Never walk or jog backwards on the treadmill.

⚠ CAUTION:

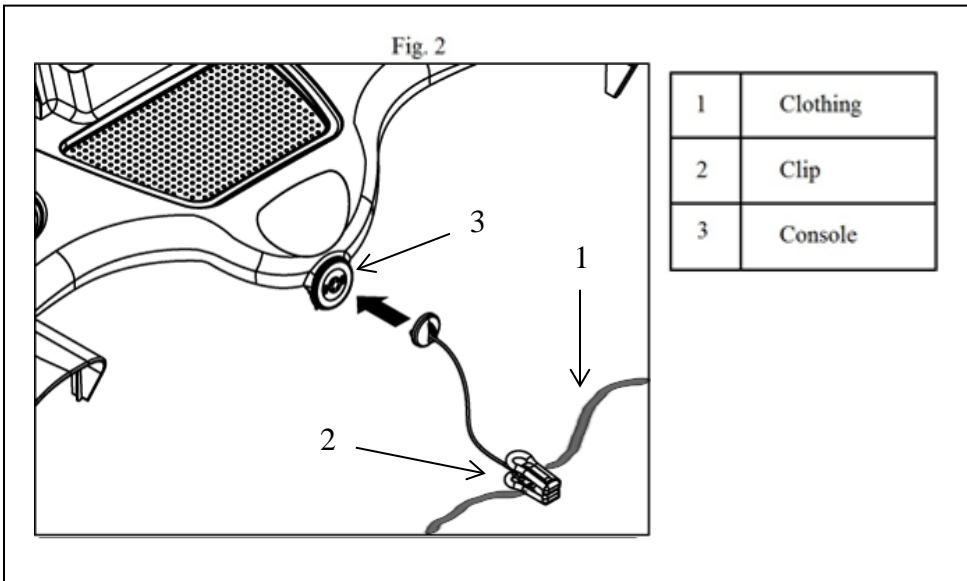
- To avoid serious injury, do not touch the incline rack while the treadmill is in use.
- To avoid serious injury, do not touch the belt while the treadmill is in use.



CHAPTER 1: SAFETY INSTRUCTIONS

USE OF SAFETY KEY (E-STOP):

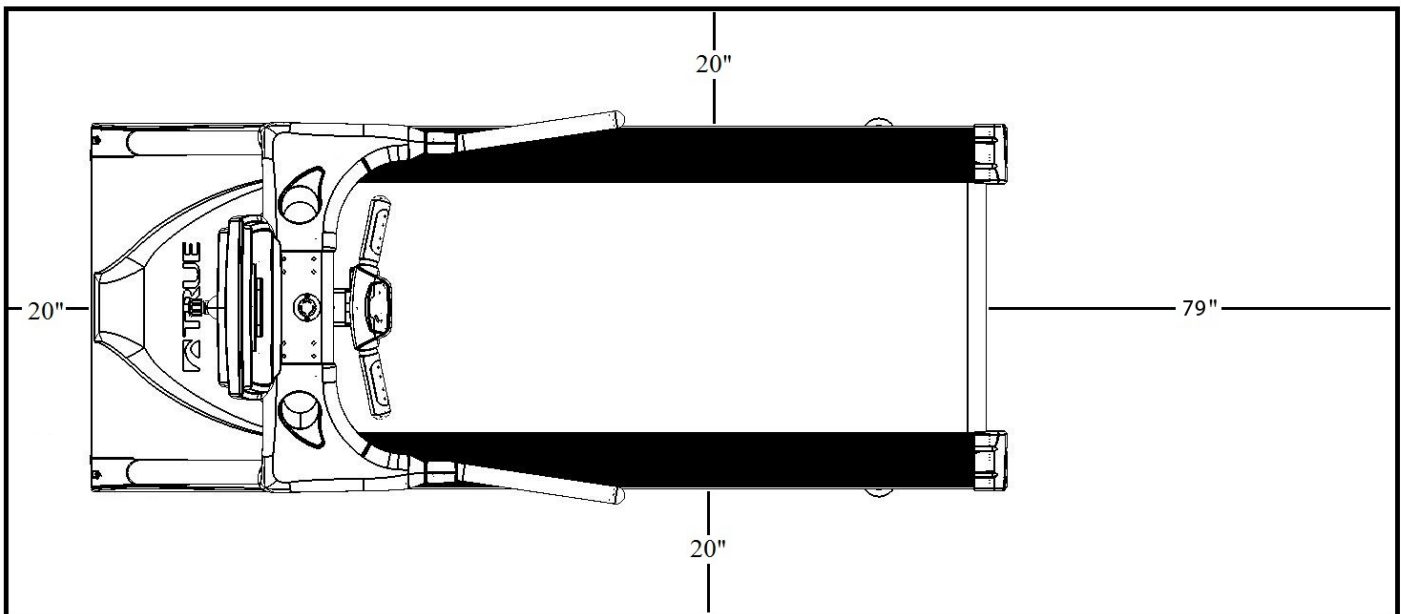
- Attach the safety clip to your clothing before each workout and when treadmill is in use. (See Fig 2)
- Attach the magnetic key to the treadmill console assembly.



SPACE REQUIREMENTS:

ASTM (USA) and EN (European) regulations require a minimum of 20" (0.5m) on each side of the treadmill and a 79" (2 m) safety zone at the rear of the treadmill. (See Fig 1)

Fig. 1



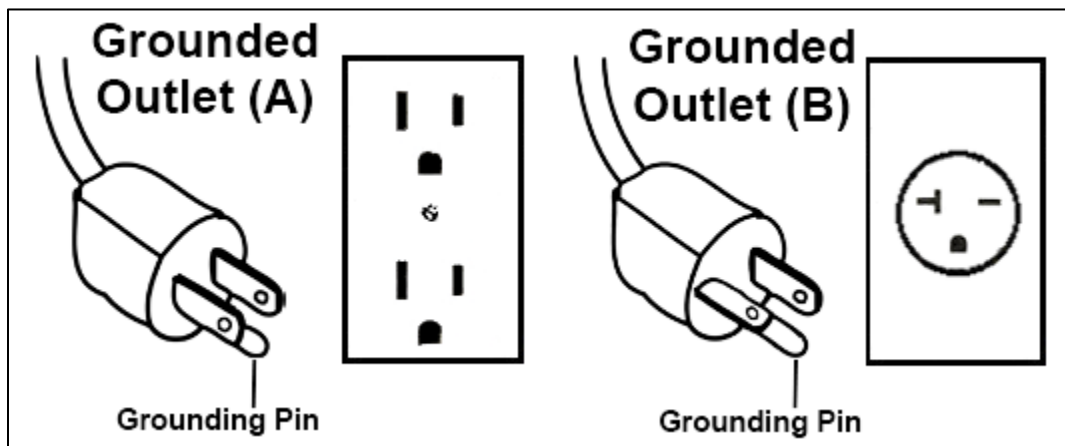
CHAPTER 1: SAFETY INSTRUCTIONS

GROUNDING INSTRUCTIONS:

This product must be grounded, if it should malfunction or breakdown, grounding provides a path of least resistance for electric current to reduce the risk of electric shock. This product is equipped with a cord having an equipment-grounding conductor and a grounding plug. The plug must be plugged into an appropriate outlet that is properly installed and grounded in accordance with all local codes and ordinances.

DANGER:

- Improper connection of the equipment-grounding conductor can result in a risk of electric shock.
- Check with a qualified electrician or serviceman if you are in doubt as to whether the product is properly grounded. Do not modify the plug provided with the product. If it will not fit the outlet, have a proper outlet installed by a qualified electrician.
- Do not remove the motor cover or you may risk injury due to electric shock.
- The 120-V model is for use on a nominal 120-V circuit and has a grounding plug that looks like the plug illustrated in figure A. Make sure the product is connected to an outlet having the same configuration as the plug. No adaptor should be used with this product.
- The 230-V model is for use on a circuit having a nominal rating more than 120-V and is factory-equipped with a specific electric cord and has a grounding plug that looks like the plug illustrated in figure B. Make sure that the product is connected to an outlet having the same configuration as the plug in Figure B. No adaptor should be used with this product. If the product must be reconnected for use on a different type of electric circuit, the reconnection should be made by qualified service personnel.



CHAPTER 1: SAFETY INSTRUCTIONS

POWER REQUIREMENTS FOR **TRUE** PRODUCTS

Information Sheet 2010

NOTE: Read and understand all instructions on this sheet and in the Owner's manual before plugging any TRUE power cord into an electrical outlet. This information sheet will help you identify the voltage and cords you need where you live and will outline requirements for:

- Grounded, dedicated lines
- Voltage
- Power cords
- Power adapters
- Extension cords

!DANGER: Improper connection of the equipment-grounding conductor can result in risk of electric shock. Check with a qualified electrician or service provider if you are in doubt as to whether the equipment is properly grounded or installed on a dedicated line. Seek a qualified electrician to perform any modifications to the cord or plug. TRUE is not responsible for injuries or damages as a result of cord or plug modification.

!CAUTION: Place cords away from heat (such as baseboards). Use care to arrange any cord so it doesn't become an obstacle.

Extension Cords

Do not use an extension cord to supply power to any TRUE product.

Grounded, Dedicated Line

TRUE equipment must be grounded. If it should malfunction or break down, grounding provides a path of least resistance for electric current to reduce the risk of electric shock. TRUE cords (except for cycle adapters) have an equipment-grounding conductor and a grounding plug. The plug must be plugged into an appropriate outlet that is properly installed and grounded in accordance with all local codes and ordinances where you live. Do not use a ground plug adapter to adapt the power cord to a non-grounded outlet. Do not use a GFCI outlet or GFCI circuit breaker. A dedicated line will assure that adequate power is available for safe operation over the life of your TRUE Product.

Voltage

Voltage required for your unit is located on the serial number decal (usually on the front of the unit). Depending on where you live voltage requirements differ.

For example, in the United States some TRUE treadmills require a circuit rated 115 VAC, 60 Hz and 20 amps. See Figure 1. However, a home typically has 15 amp outlets. In this case, contact an electrician to install a 20 amp dedicated line prior to use. See Figure 2.

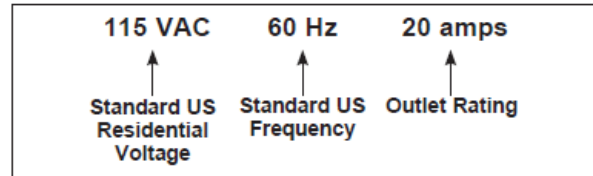


Figure 1

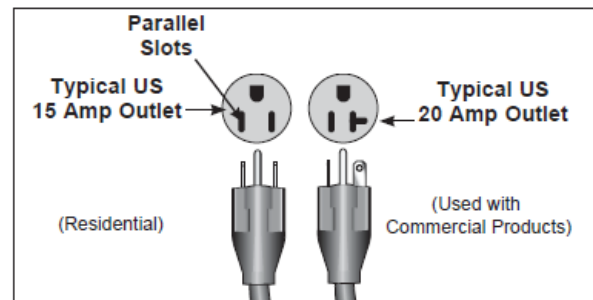


Figure 2

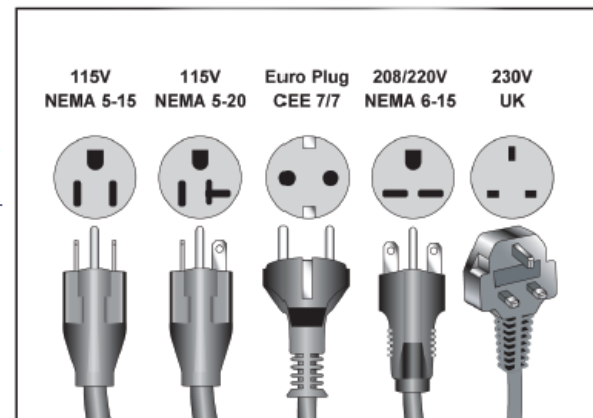


Figure 3

CHAPTER 1: SAFETY INSTRUCTIONS

WARNING DECALS:



WARNING: Replace warning labels that may be worn, damaged or missing.

To replace any worn or missing warning decals contact TRUE FITNESS by visiting www.truefitness.com or contact customer service at 800-883-8783.

⚠ WARNING! Read and understand all instructions and warnings prior to use.

AVERTISSEMENT! Prenez connaissance du manuel d'instruction et consigne de sécurité avant l'utilisation.

- Death or serious injury can result if caution is not used while exercising.
- Stop exercise if you feel faint, dizzy, or experience pain.
- Keep body, clothing, and fitness accessories clear of all moving parts.
- **WARNING!** Heart rate monitoring system may be inaccurate. Over exercising may result in serious injury or death. If you feel faint stop exercising immediately.
- Obtain medical exam before beginning any exercise program.
- Inspect equipment before use. Do not use if machine appears damaged or inoperable.
- Care should be used when mounting or dismounting machine.
- Keep children away at all times.

FOR TREADMILL USE:

- Straddle treadbelt before starting.
- Read, understand, and test the emergency stop procedures before use.
- ALWAYS ATTACH THE EMERGENCY STOP SAFETY CLIP TO CLOTHING PRIOR TO USE!
- Prior to use, inspect safety clip cord to ensure it is free of tangles or knots, and that red magnetic key will easily disengage from machine.

Instructions:

- Straddle treadbelt before starting.
- Press QUICK START button.
- Or select other preset workout options.
- Use the ▼ or ▲ buttons to adjust then press ENTER to accept each setting.
- Use the - or + buttons to adjust SPEED at any time during workout.
- Press STOP at any time during workout.

TRUE
TRUE FITNESS TECHNOLOGY, INC.
ST LOUIS, MISSOURI 63366

Model No.
TCS200

Serial No./Date Code
14-TCS200001A

Rating: 120V, 50/60Hz, 15A

ETL US
CONFORMS TO ANSI/UL
STD. 1647
CERTIFIED TO CAN/CSA
STD. C22.2 NO.68

Intertek
3135202

Intertek Testing Services Taiwan Ltd. MADE IN TAIWAN

TRUE
TRUE FITNESS TECHNOLOGY, INC.
ST LOUIS, MISSOURI 63366

Model No.
TCS200X

Serial No./Date Code
14-TCS20X001A

Rating: 130V, 50/60Hz, 10A

ETL US
CONFORMS TO ANSI/UL
STD. 1647
CERTIFIED TO CAN/CSA
STD. C22.2 NO.68

Intertek
3135202

Intertek Testing Services Taiwan Ltd. MADE IN TAIWAN

COMPLIANCES:

This equipment complies with all applicable codes and regulations. For a complete list of compliances, please visit www.truefitness.com.

CHAPTER 2: ASSEMBLY INSTRUCTIONS

IMPORTANT SAFETY INSTRUCTIONS

- Read and understand all instructions and warnings prior to use.
- Obtain a medical exam before beginning any exercise program. If at any time during exercise you feel faint, dizzy, or experience pain, stop and consult your physician.
- Obtain proper instruction prior to use.
- This treadmill is intended for light commercial use only.
- Inspect the treadmill for incorrect, worn, or loose components and do not use until corrected, replaced, or tightened prior to use.
- Do not wear loose or dangling clothing while using the treadmill.
- Care should be used when mounting or dismounting the treadmill.
- Read, understand, and test the emergency stop procedures before use.
- Disconnect all power before servicing the treadmill.
- Do not exceed maximum user weight of 400 lbs.
- Keep the top side of the moving surface clean and dry.
- Keep children and animals away.
- Use caution when moving and assembling treadmill.
- All exercise equipment is potentially hazardous. If attention is not paid to the conditions of equipment usage, death, or serious injury could occur.
- Save these instructions.

Basic Guidelines for Setting Up Your Treadmill:

After removing the treadmill from the packaging, place your treadmill on a clean, level surface. Make sure the electrical cord easily reaches a grounded three-pronged outlet and has enough slack to allow the deck to incline without tightening the cord. Do not allow the treadmill assembly to rest on the cord.

Important Electrical Requirements – 120V:

Your TRUE treadmill requires a dedicated 120 volt, alternating current (AC), 20 amp grounded outlet circuit. This means nothing else can be plugged into the same circuit. Most power circuits are rated for this 120V AC 20 amp requirement, but you must ensure the treadmill does not share the circuit with anything else.

Important Electrical Requirements – 230V

Your TRUE treadmill requires a dedicated 230 volt, alternating current (AC), 15 amp grounded outlet circuit. This means nothing else can be plugged into the same circuit. Most power circuits are rated for this 230V AC 15 amp requirement, but you must ensure the treadmill does not share the circuit with anything else.

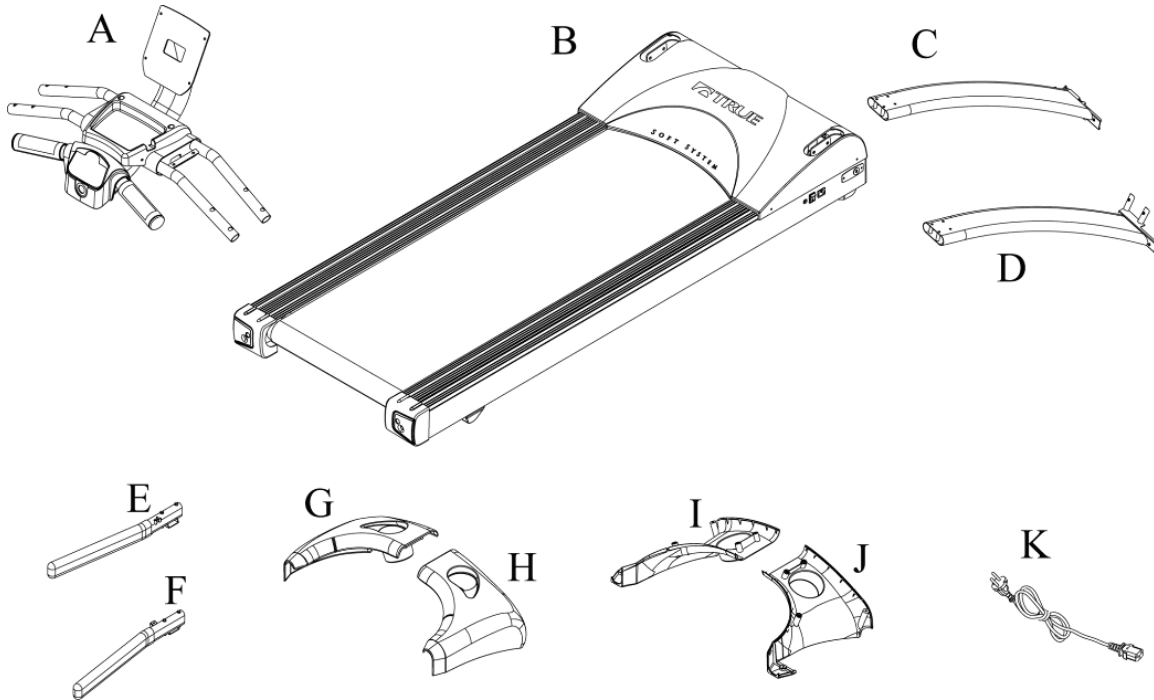
Danger: Do not use an extension cord or ungrounded outlet.

The ground helps prevent electrical damage to your treadmill and enhances your safety by helping to prevent shock. Check with a qualified electrician or serviceman if you are in doubt as to whether the treadmill is properly grounded. Do not modify the plug provided with the treadmill if it will not fit the outlet. Have a proper outlet installed by a qualified electrician.

CHAPTER 2: ASSEMBLY INSTRUCTIONS

PRE-ASSEMBLY CHECK LIST:

Frame Components:

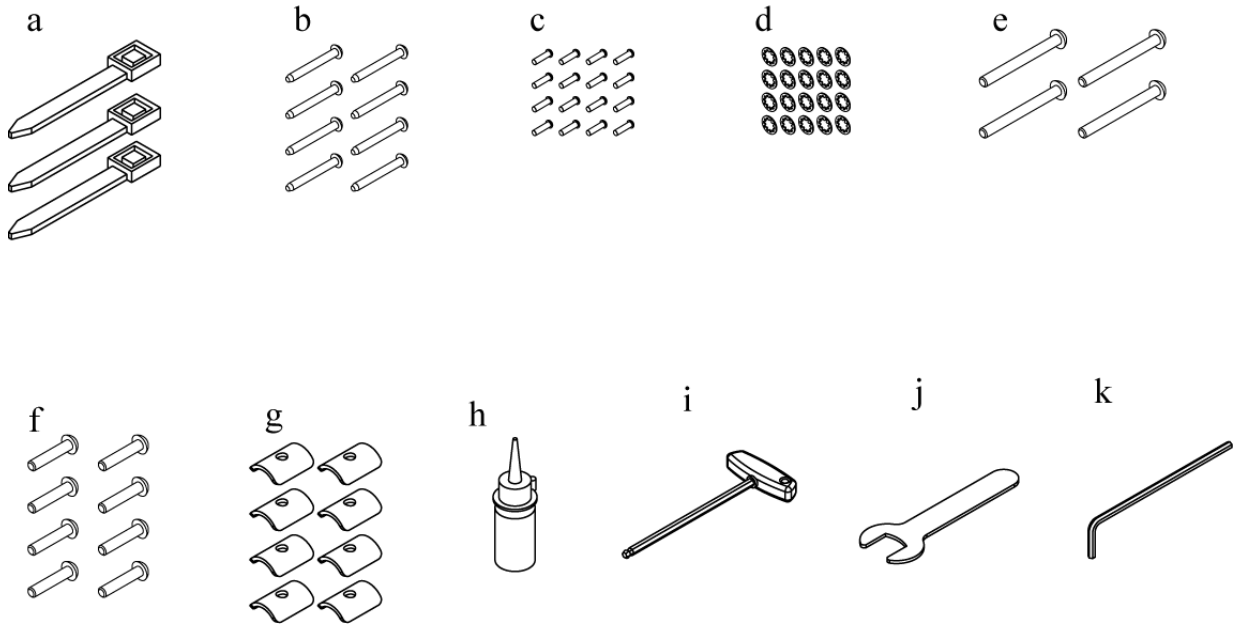


<u>Item</u>	<u>Description</u>	<u>Qty</u>
A	Console Rack	1
B	Frame	1
C	Pedestal (L)	1
D	Pedestal (R)	1
E	Handrail (L)	1
F	Handrail (R)	1
G	Shoulder Cover-Top (L)	1
H	Shoulder Cover-Top (R)	1
I	Shoulder Cover - Bottom (L)	1
J	Shoulder Cover - Bottom (R)	1
K	Power Cord	1
L	Console Cover	1

CHAPTER 2: ASSEMBLY INSTRUCTIONS

PRE-ASSEMBLY CHECK LIST (CONTINUED):

Hardware Pack:



<u>Item</u>	<u>Description</u>	<u>Qty</u>	<u>Where Used</u>
a	Wire Tie	3	Cables
b	Bolt M8 x 1.25 x 75mm	8	Pedestals
c	Screw M4 x 0.7 x 10mm	16	Shoulder Cover-Top and Bottom
d	Washer M8 - Internal Tooth	20	Various
e	Bolt M8 x 1.25 x 80mm	4	Hand Rails
f	Bolt M8 x 1.25 x 40mm	8	Console Rack
g	Shoulder Plates	8	Console Rack
h	Tread Belt Lubricant	1	Under Tread belt
i	T- Spanner – 8mm	1	Tread Belt Adjustment
j	Wrench 17mm	1	Hex Head Bolt – Pedestal Front
k	Hex Key – 5mm	1	Various

NOTE: Consult your TRUE Fitness TCS400 Treadmill Owner’s Manual for information related to item (h) Tread Belt Lubricant for Tread Belt lubrication procedure and item (i) T-Spanner – 8mm for Tread belt Adjustment.

Tool Requirements:

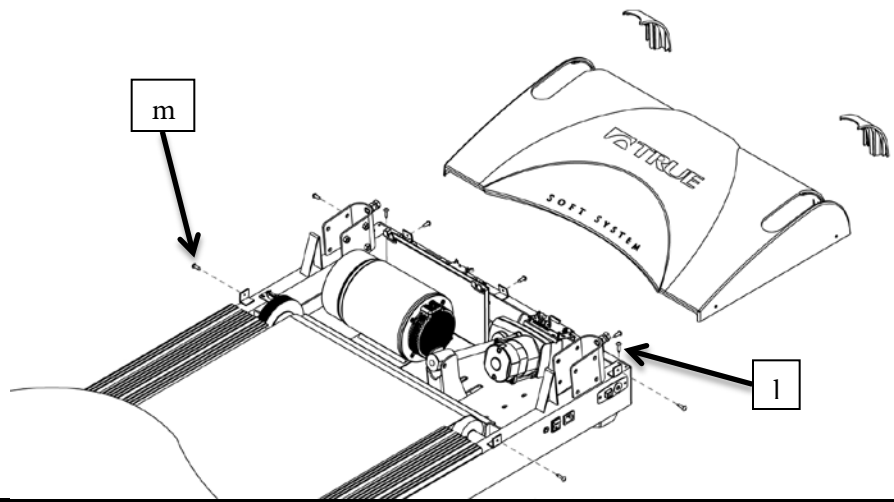
- Hex Key – 5mm, T-Spanner-8 mm, Wrench 17mm (included with hardware kit)
- 7/16 Open End Wrench (not included)
- Long Nose Pliers (not included)
- #2 Phillips Screwdriver (not included)

CHAPTER 2: ASSEMBLY INSTRUCTIONS

TREADMILL ASSEMBLY STEPS:

STEP 1: Remove Motor Cover:

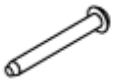

- a) Remove two screws (l) and two Motor Decoration Covers from Frame.
- b) Remove seven screws (m) and Motor Cover from Frame.
- c) Set hardware to the side for use in step 4.

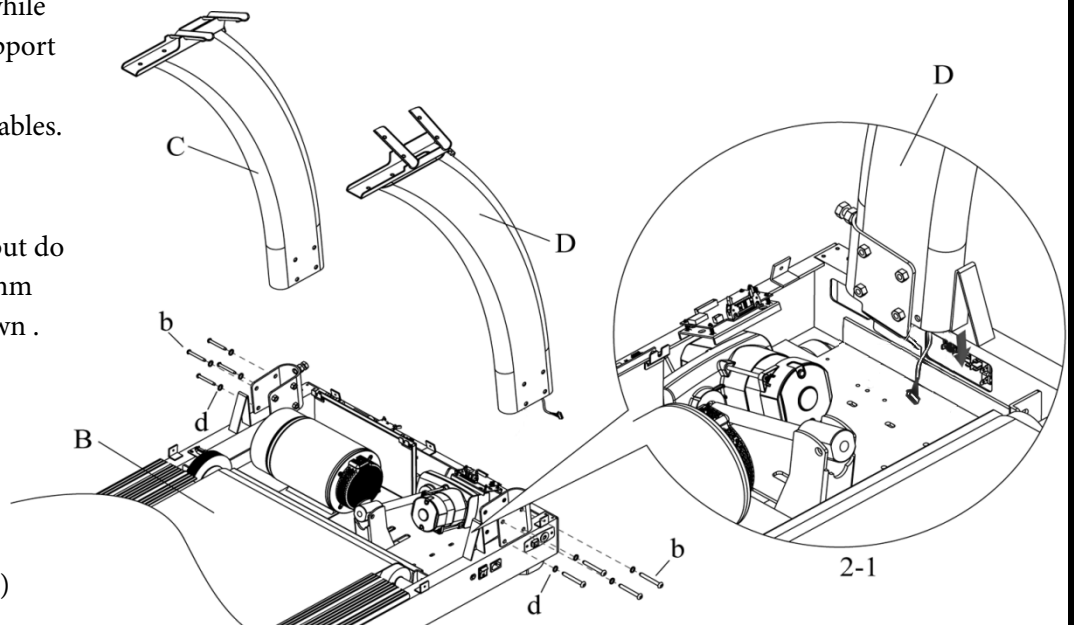


STEP 2: Pedestal Installation:

- a) Check that Hex Head Bolts in Fig 2-1 are backed out enough to clear Pedestals when installed.
- b) Install Pedestal - R (D) into pedestal support on Frame (B) while pulling cables out of pedestal support as shown in Fig. 2-1.
- NOTE:** Be careful not to pinch cables.
- c) Install Pedestal - L (C) into pedestal support on Frame.
- d) Using 5mm Hex Key, install but do not tighten eight Bolts-M8 x 75mm (b) and Washers-M8 (d) as shown.

Required Hardware:

-  8 M8 x 75mm Bolts (b)
-  8 Internal Tooth M8 Washers (d)



CHAPTER 2: ASSEMBLY INSTRUCTIONS

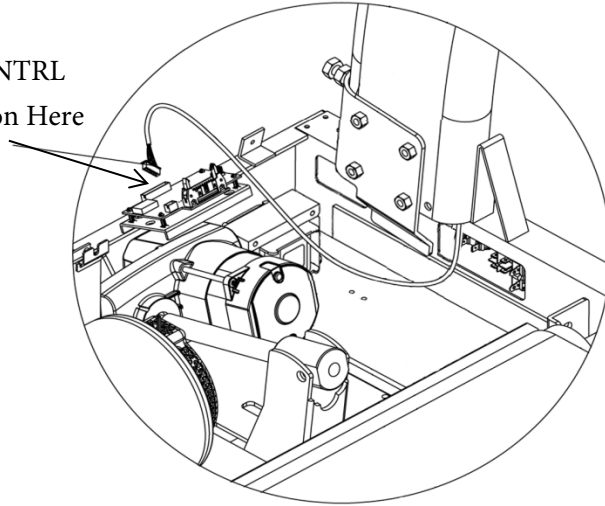
TREADMILL ASSEMBLY STEPS (CONTINUED):

STEP 3-A Frame Cable Connections: *110 Volt Units ONLY

a) Connect the CNTRL cable to the smart board as shown.

NOTE: The AUXPS cable attached to the CNTRL cable is not used for this installation

Make CNTRL
Connection Here



STEP 3-B Frame Cable Connections: *220 Volt Units ONLY

a) Cut the wire tie holding the female end of the AUXPS cable to the CNTRL cable as shown.

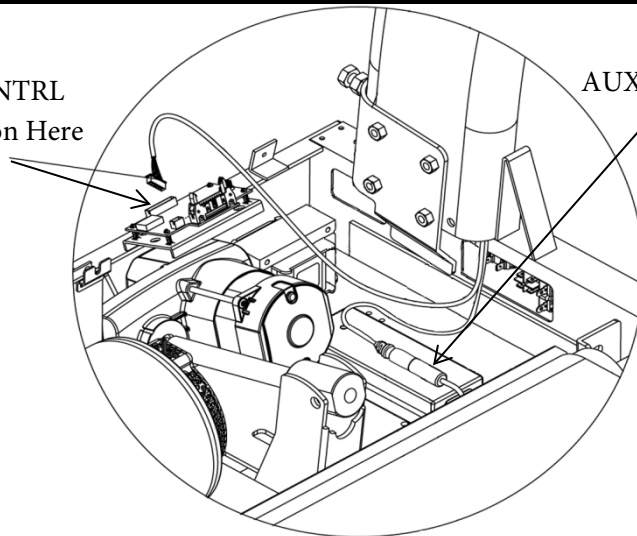


b) Connect the female end of the AUXPS Cable coming from Pedestal to AUXPS Cable coming from the pre-installed power supply brick.
c) Connect the CNTRL cable to the smart board as shown

NOTE: The male end of the AUXPS cable wire tied to the CNTRL cable is not used for this installation.

Make CNTRL
Connection Here

AUXPS Connection
Made



CHAPTER 2: ASSEMBLY INSTRUCTIONS

TREADMILL ASSEMBLY STEPS (CONTINUED):

STEP 4: Console Rack and Motor Cover Installation:

a) Install Console Rack (A) onto Pedestals R & L by resting Console Rack tubing on top of Pedestal tubing cradles.

b) Using 5 mm Hex Key, install but do not tighten, 8 Shoulder Plates (g), 8 Bolts-M8 x 40mm (f) and 8 internal tooth washers (d) through Console Rack tubing and into Pedestal tubing cradles. Once all eight bolts are installed, tighten all bolts.

c) Tighten the 8 Bolts that secure Pedestals to Frame. (see step 2)

d) Use a 17mm wrench to tighten two Hex Head Bolts until secure against Pedestal legs. Then tighten two nuts to secure Hex Head Bolts. See Fig 4-1.

Required Hardware:



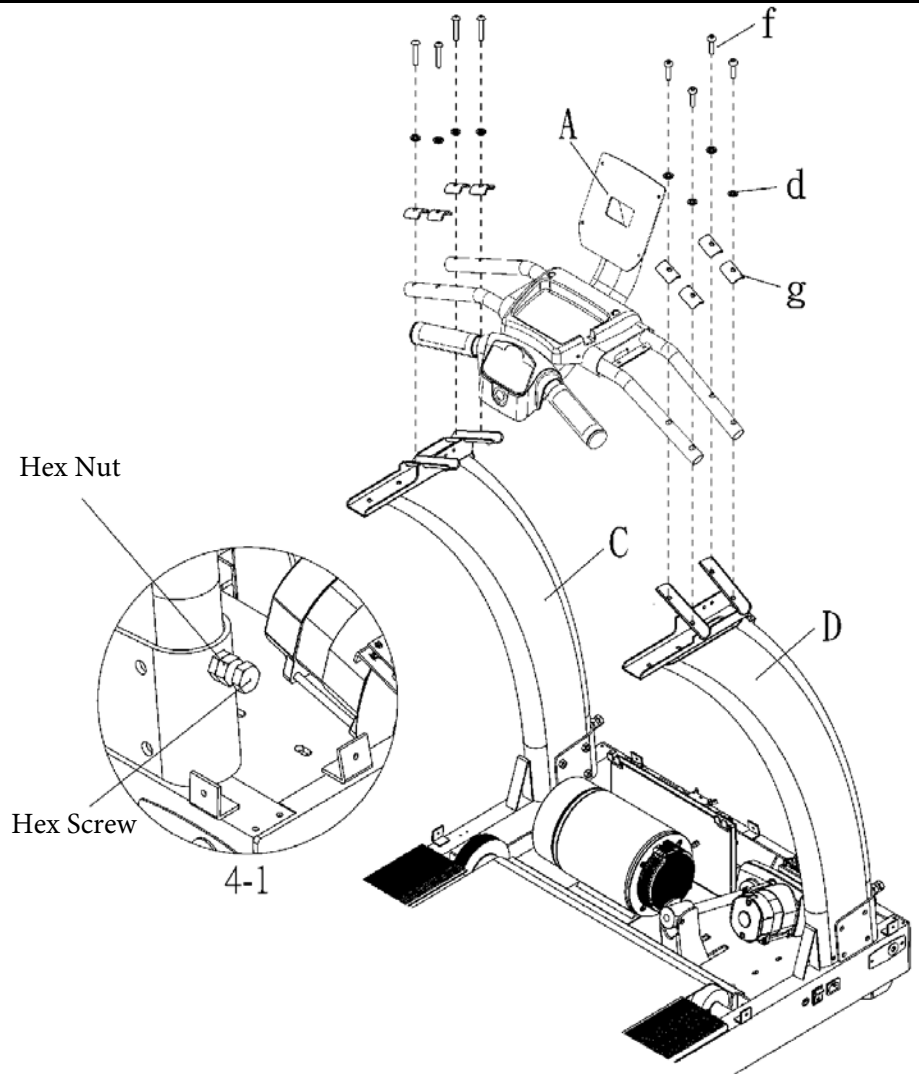
8 Shoulder Plates (g)



8 M8 x 40mm Bolts (f)



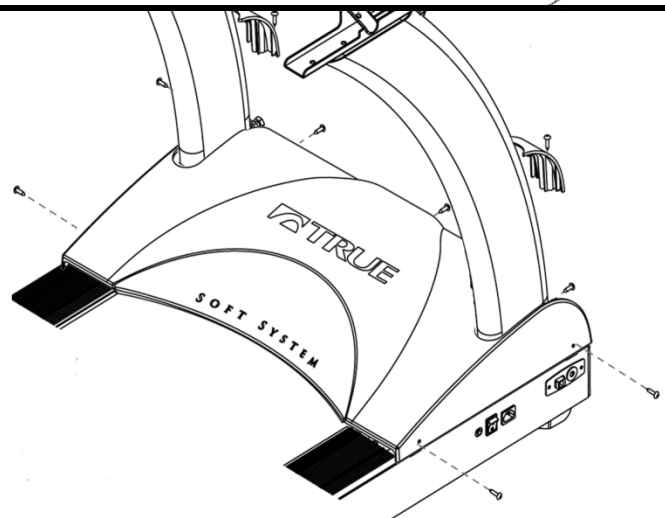
8 Internal Tooth M8 Washers (d)



e) Place Motor Cover onto frame. Using a Phillips Screwdriver, install Motor Cover into Frame with seven Motor Cover screws. Install Motor Decoration Covers with two screws as shown.

Required Hardware:

Hardware from step 1.



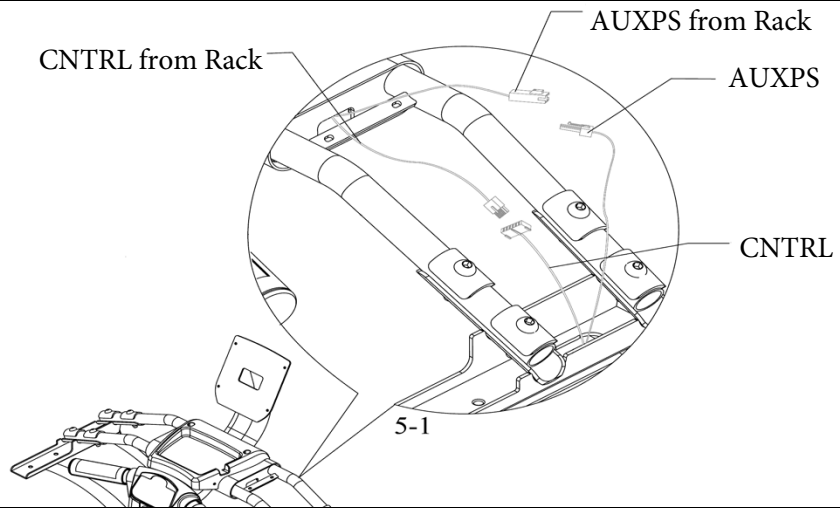
CHAPTER 2: ASSEMBLY INSTRUCTIONS

TREADMILL ASSEMBLY STEPS (CONTINUED):

STEP 5: Console Rack Cable Connections:

a) Connect the **COAX**, **AUXPS**, **COMM** and **CNTRL** cables coming from the right pedestal to the corresponding wires in the console rack.

NOTE: All four connections are made for any Console model.



STEP 6: Handrail Installation:

a) Insert Handrails (E, F) onto Pedestals and secure with 4 Bolts -M8 x 80mm (e) and Internal Tooth Washer M8 (d) using 5 mm Hex Key.

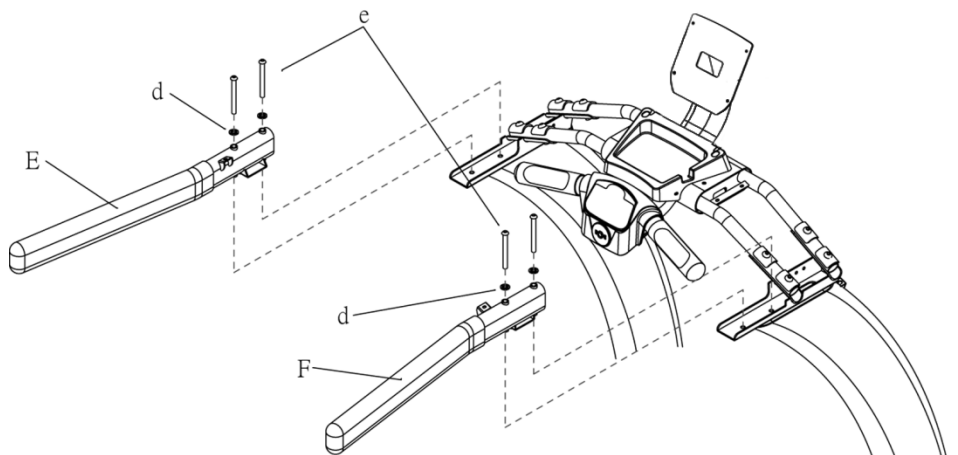
Required Hardware:



4 M8 x 80mm bolts (e)



4 Internal Tooth M8 Washers (d)



STEP 7: Top Shoulder Covers:

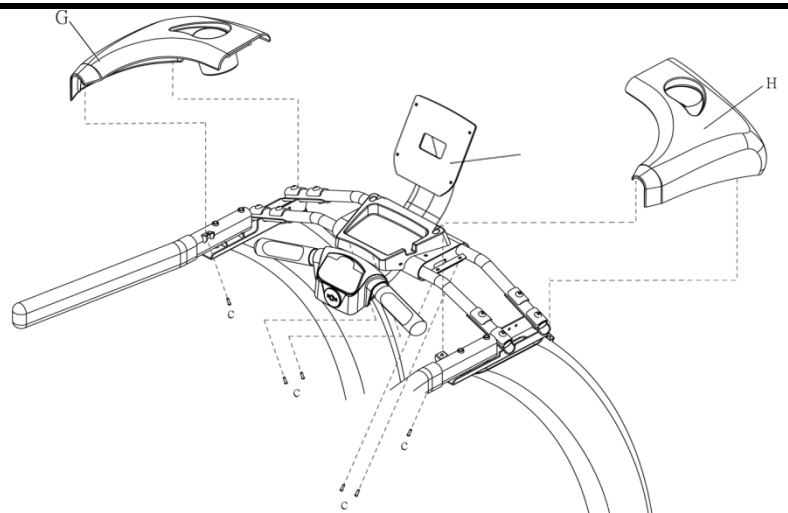
a. Using a Phillips screwdriver, install Shoulder Cover Top pieces Left (G) and Right (H) with three Screws M4 x 10mm (c) on each side as shown.

CAUTION: Make sure cabling is NOT pinched during installation.

Required Hardware:



6 M4 x 0.7 x 10mm screws(c)



CHAPTER 2: ASSEMBLY INSTRUCTIONS

TREADMILL ASSEMBLY STEPS (CONTINUED):

STEP 8: Bottom Shoulder Covers:

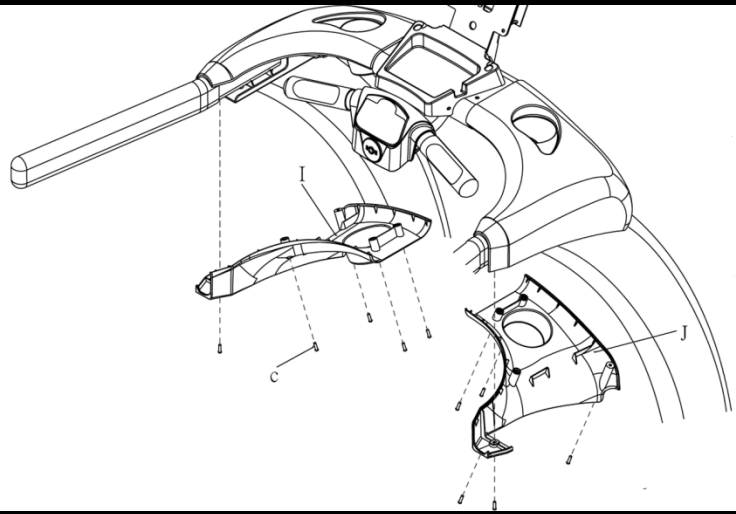
a) Using a Phillips screwdriver, install Shoulder Cover Bottom pieces Left (G) and Right (H) with five Screws M4 x 10mm (c) on each side as shown.

CAUTION: Make sure cabling is NOT pinched during installation.

Required Hardware:



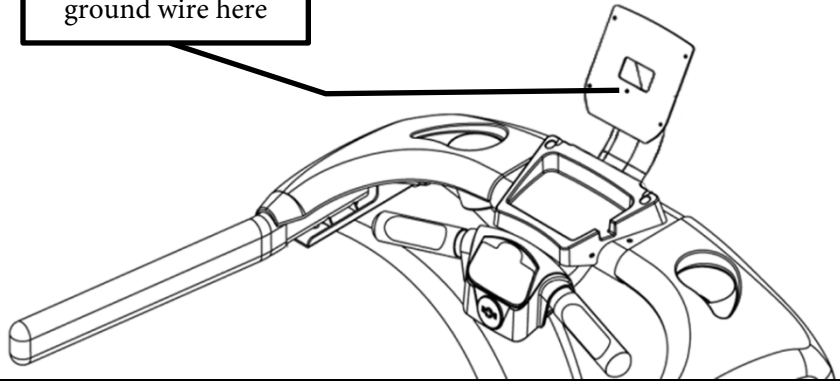
10 M4 x 10mm screws (c)



STEP 9: Ground Wire Connection:

a) Attach ground wire coming from the back of the console to the ground screw.

Attach console ground wire here

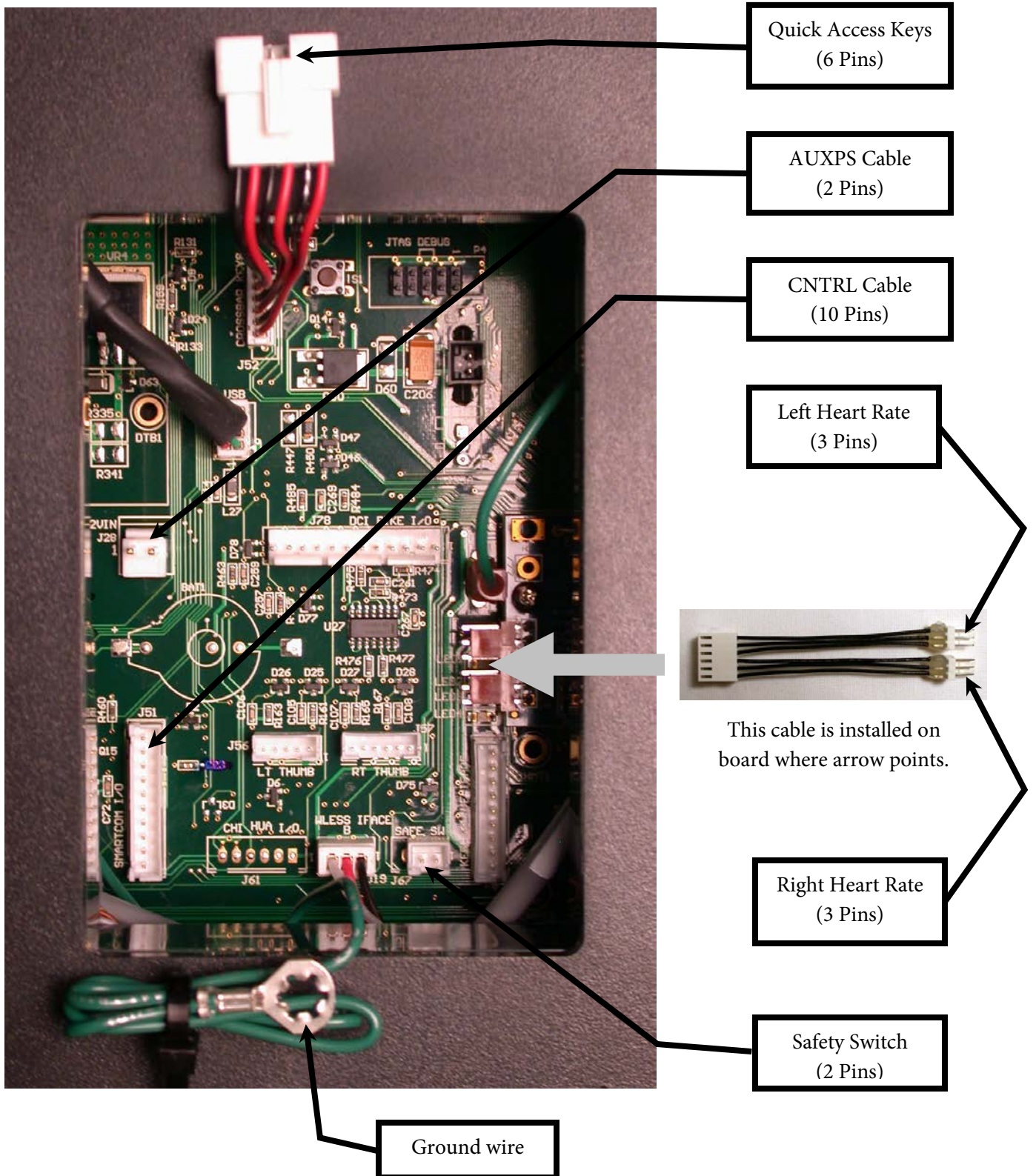


CHAPTER 2: ASSEMBLY INSTRUCTIONS

TREADMILL ASSEMBLY STEPS (CONTINUED):

STEP 10: Console Cable Connections:

Connect all wires coming from the console mast as show below:



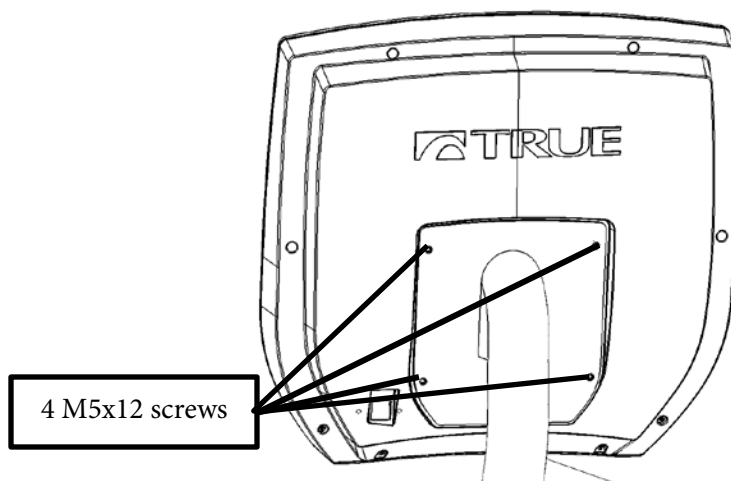
CHAPTER 2: ASSEMBLY INSTRUCTIONS

TREADMILL ASSEMBLY STEPS (CONTINUED):

STEP 11: Attach Console:

a) Attach console to mast using the 4 M5x12 screws that come with the console.

Required Hardware:
Included with console.

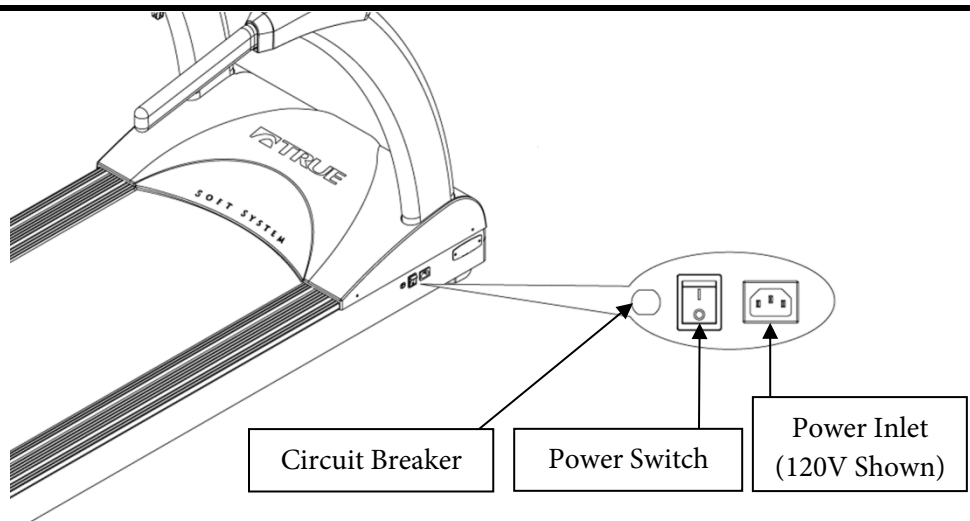


STEP 12: Power Cord Installation:

a) Insert Power Cord into Power Inlet shown to the right.

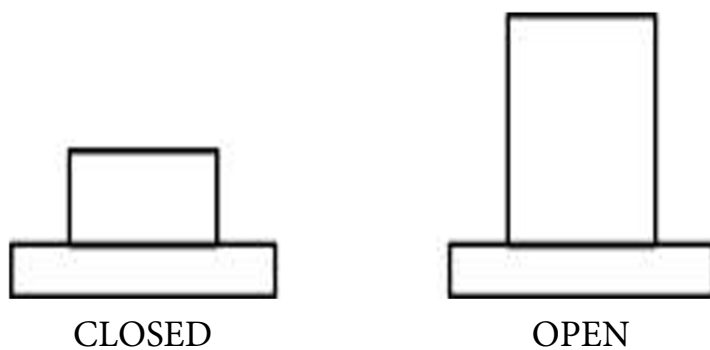
NOTE: 230V Front Electrical Panel will appear different from the figure to the right. The circuit breaker is not visible and is within Power Switch.

POWER SWITCH: | = ON, 0 = OFF



CIRCUIT BREAKER: In the event the current drawn by the treadmill exceeds a specified threshold value, the Circuit Breaker will pop out, and open the circuit. If this should occur, please wait 10 minutes and then reset the Circuit Breaker by pressing the button in on Circuit Breaker. If it does not reset, or the Circuit Breaker pops out again, please contact TRUE Fitness Service department at 1-800-883-8783.

Circuit Breaker Positions

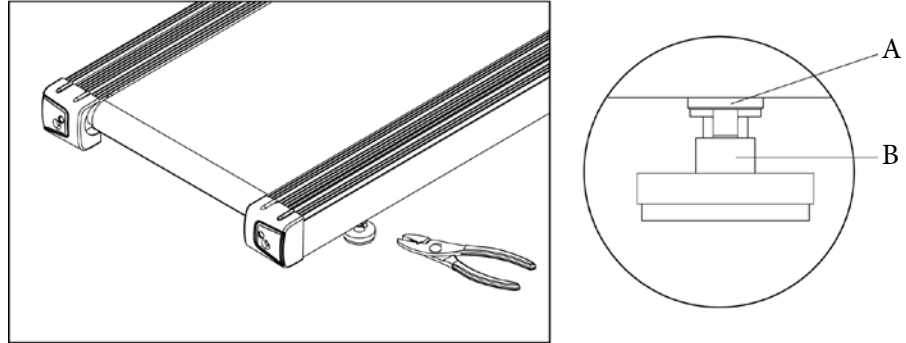


CHAPTER 2: ASSEMBLY INSTRUCTIONS

TREADMILL ASSEMBLY STEPS (CONTINUED):

STEP 13: Unit Leveling (if needed):

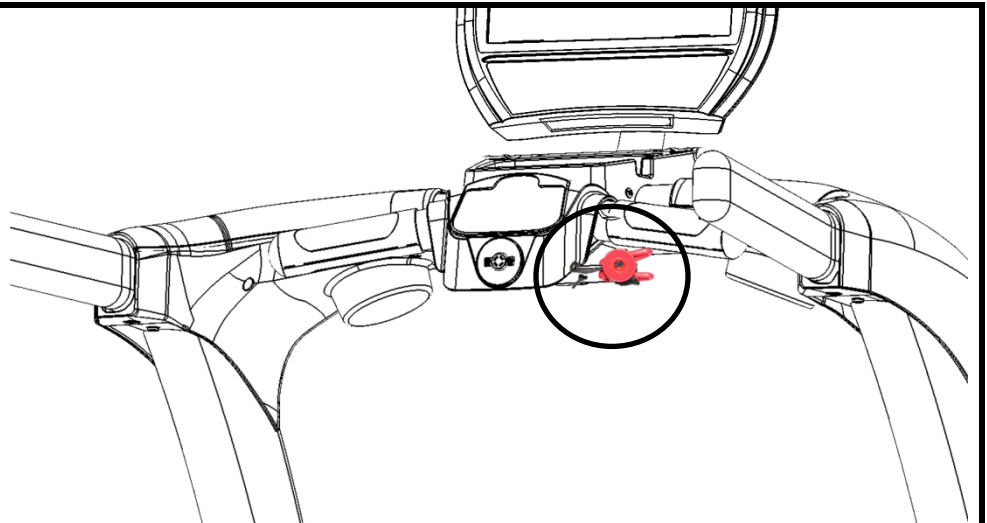
- a) Ensure treadmill incline rack wheels and rear feet are resting on the floor.
- b) Using a 15/16 inch open end wrench, loosen nut (A) the Rear Foot.
- c) Using a level or estimating by sight, turn section (B) of foot clockwise, or counter-clockwise, using a 7/8 inch open end wrench to level the unit.
- d) Tighten nut (A) until it is secured against bottom of treadmill.



STEP 14: Attach Safety Key:

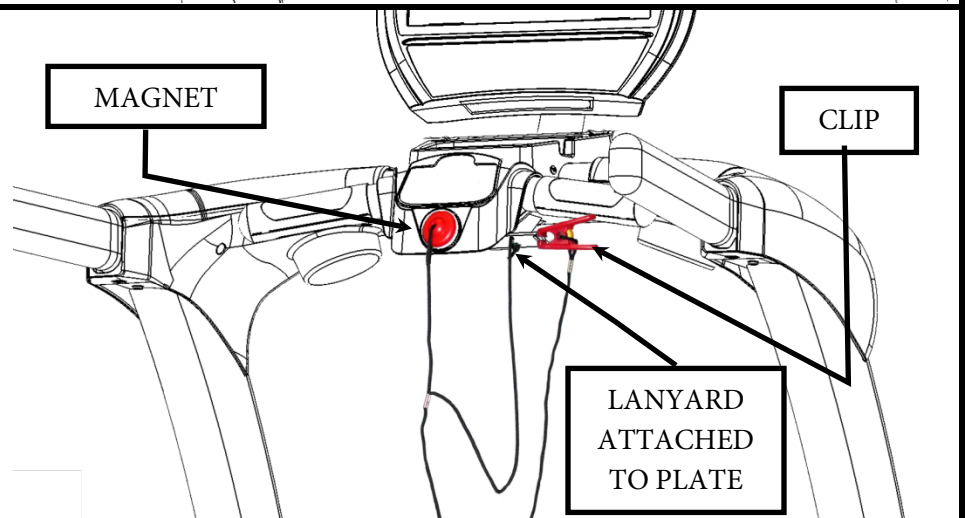
NOTE: The safety key and attachment cord are wrapped around plate during shipping as shown.

- a) Unwind safety key and cord from plate.



- c) Attach Safety Key magnet to front of Center Pod as shown.
- d) Attach Safety Key clip to plate located on Console Rack (when not working out).
- e) Attach clip to clothing at the beginning of any workout.

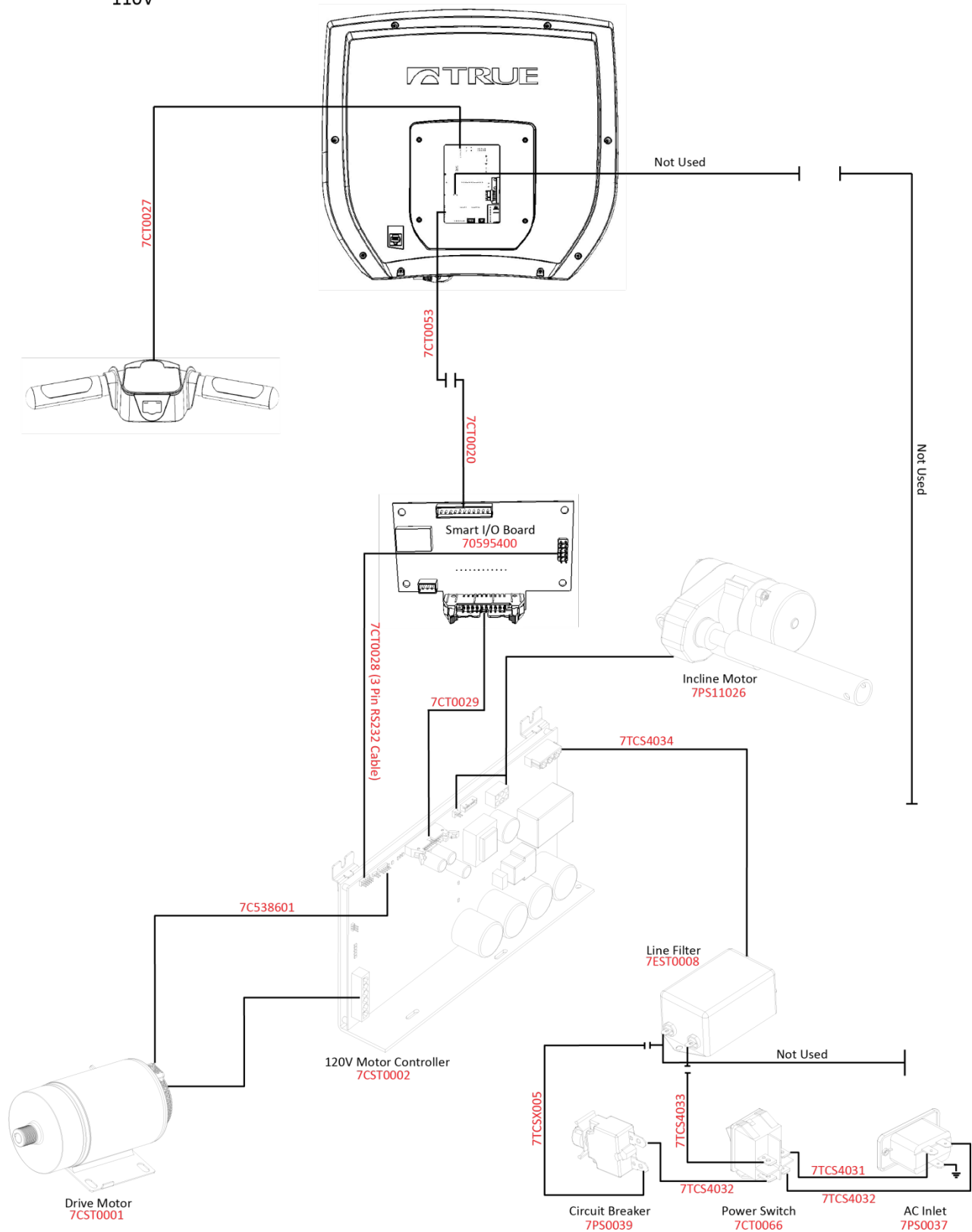
CAUTION: Read treadmill Owner's Manual before attempting any workout.



CHAPTER 2: ASSEMBLY INSTRUCTIONS

WIRING DIAGRAMS: TCS200 Wiring Diagram

110V

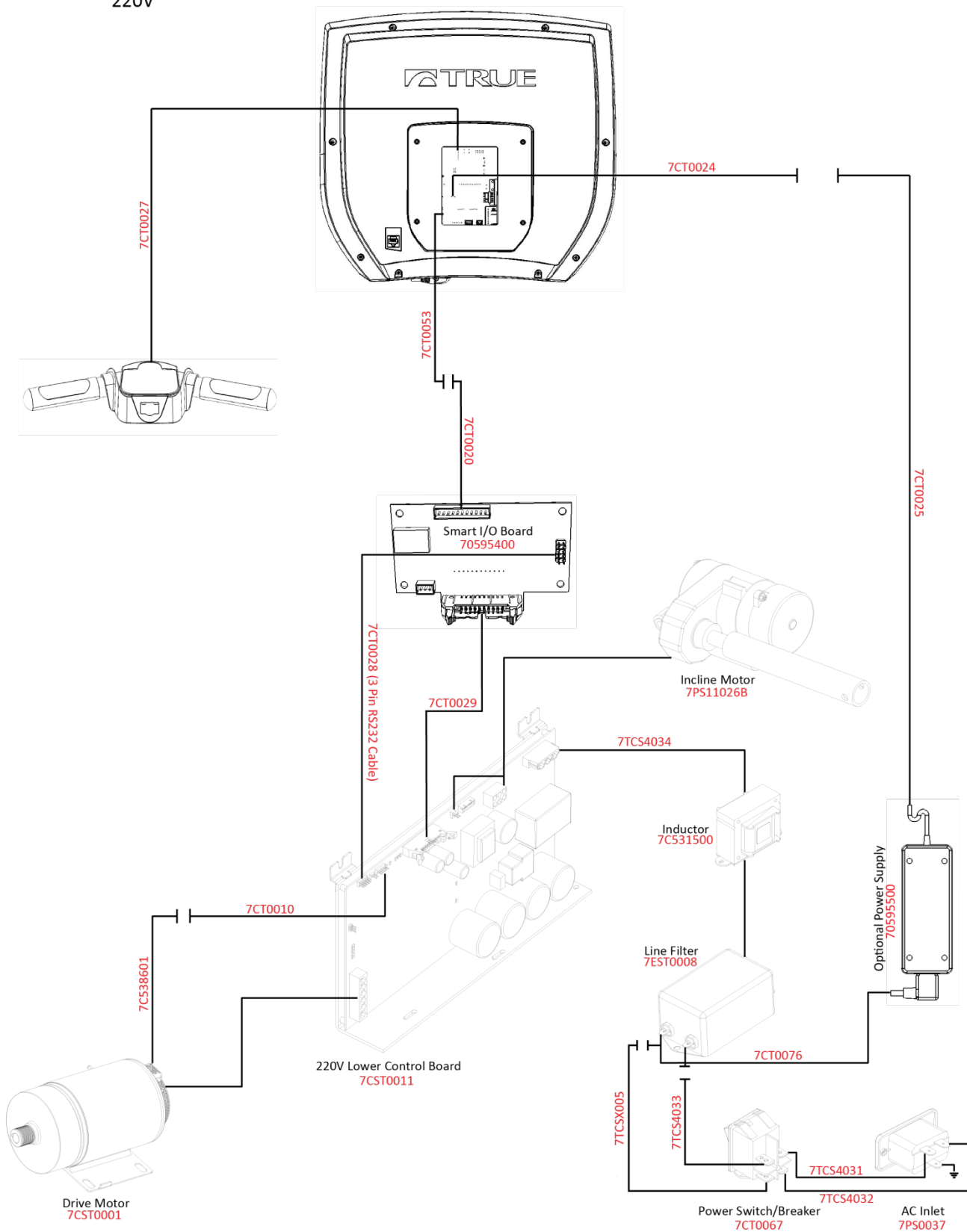


CHAPTER 2: ASSEMBLY INSTRUCTIONS

WIRING DIAGRAMS (CONTINUED):

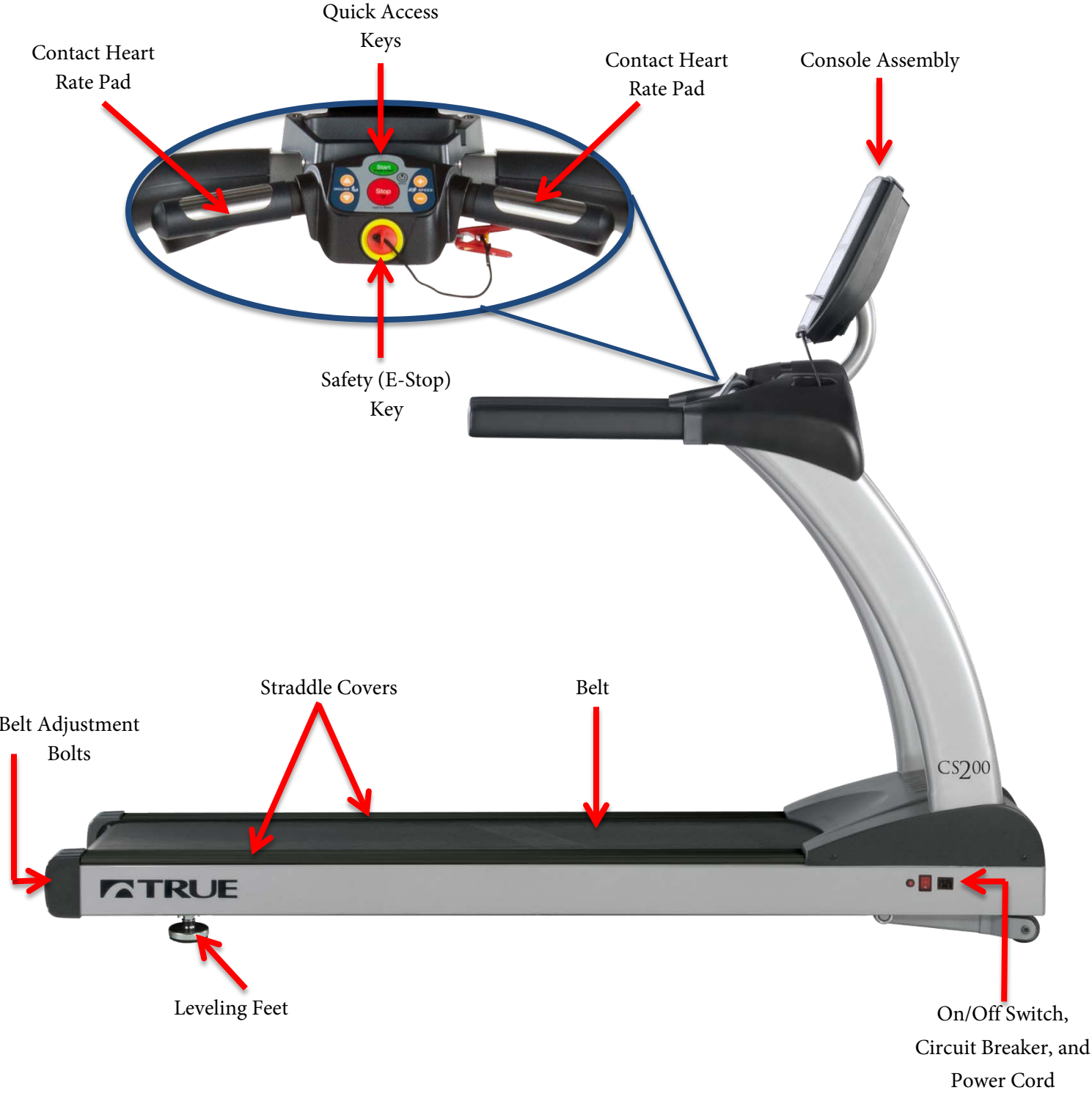
TCS200X Wiring Diagram

220V



CHAPTER 3: PRODUCT OVERVIEW

TREADMILL OVERVIEW:



CHAPTER 3: PRODUCT OVERVIEW

TREADMILL OVERVIEW (CONTINUED):

Console Assembly:

The console allows the user to set up a workout program and control the treadmill during a workout (For console overview and operation instructions refer to chapter 4).

Quick Access Keys:

Allows the user to quickly start, stop and wake the treadmill or make fast, convenient adjustments to the incline level or speed of the treadmill.

Contact Heart Rate Pads:

Allows the user to check their heart rate without wearing a wireless chest strap.

*For increased safety and accuracy this feature should only be used when the belt speed is below 4 mph.

Safety (E-Stop) Key:

A tethered safety device designed to attach to both the user and the treadmill console. Removal of the key from the console will stop belt motion to prevent injury in an emergency.

*The safety key must be in place on the treadmill, and should be attached to the user's clothing. The treadmill will not operate if the safety key is not attached to the treadmill.

Belt:

The moving surface of the treadmill on which the user walks or runs.

Straddle Covers:

Stationary covers on either side of the belt, which allows the user to safely straddle the belt during startup or in the event of an emergency.

Belt Adjustment Bolts:

An adjustment system that allows the users to adjust the belt tracking and tension as needed.

On/Off Switch:

Allows users or faculty to turn the power on or off to the treadmill.

Circuit Breaker:

A safety device designed to protect the treadmill from excessive electrical current.

Power Cord:

Delivers power from the wall outlet to the treadmill.

Leveling Feet:

An adjustable system used to aid in the leveling the treadmill.

CHAPTER 4: PROGRAMMING & OPERATION

▲ CAUTION:

The safety key must be in place on the treadmill console, and should be attached to the user's clothing. The treadmill will not operate if the safety key is not attached to the console.

HEART RATE MONITORING:

This treadmill can monitor a user's heart rate using either a Polar® compatible chest strap or the metal grips on the hand rails (called contact heart rate or CHR pads). A chest strap transmits the user's heart rate to the treadmill via radio, and the CHR pads connect to a special computer circuit to extract the user's heart rate.

Chest Strap Heart Rate Monitoring:

Although this treadmill functions fine without using the heart rate monitoring feature, this kind of monitoring gives valuable feedback on the user's effort level. Chest strap monitoring also allows users to use Heart Rate Control, the most advanced exercise control system available.

When users wear a Polar® compatible transmitter strap, the treadmill will display the user's heart rate as a digital beats-per-minute (bpm) readout.

The transmitter strap should be worn directly against the user's skin, about 1-2 inches below the pectoral muscles/breast line. Women should be careful to place the transmitter below their bra line.

Initially the transmission signal for heart rate may be erratic or non-existent. Some moisture is necessary between the strap and the user's skin for proper transmission. Sweat from exercise works best, but ordinary tap water may be used prior to the workout if desired.



A Note on Chest Strap Heart Rate Monitoring:

The chest strap produces a radio signal that the treadmill reads and registers as the user's heart rate. The accuracy of a reading may be affected when outside interference is present.

Contact Heart Rate (CHR):

The CHR system will let the user monitor their heart rate without wearing a chest strap. When using the CHR system users should gently grasp the CHR pads with both hands. Within 30 seconds, the user's heart rate should be displayed as a digital bpm readout (during the first 30 seconds the system is analyzing and locking in the user's heart rate). Users should exercise with smooth body motions and breathe regularly. It is best to avoid talking while using the CHR system, as talking will cause unrepresentative heart rate spikes of 5 to 10 bpm. To ensure an accurate reading, the user's hands should be clean, free of both dirt and hand lotions.

*For increased safety and accuracy the CHR system should only be used at speeds of 4 mph or lower (CHR readings are less accurate due to large muscle movements above this speed).

A Note on CHR Accuracy:

CHR monitoring may be less accurate than chest strap monitoring since the heart rate signals are much stronger at the chest. When using a HRC workout, it is best to use a chest strap because of the stronger and more accurate readings.

▲ CAUTION:

Do not use the contact heart rate grips as a handlebar during a workout.

CHAPTER 4: PROGRAMMING & OPERATION

HEART RATE CONTROL (HRC):

Introduction:

You are now the owner of the most sophisticated Heart Rate Control treadmill available. TRUE HRC is unique and patented. It accommodates users from rehabilitation to world class athletes, and all those in between. TRUE HRC allows users to do a completely hands free heart rate controlled workout using speed, incline or both. By training at a specific target heart rate, users can exercise at a more efficient cardiovascular level.

The TRUE HRC system is unique because users must enter the key parameters of the workout; target heart rate, maximum speed, maximum incline, and time, prior to beginning the HRC workout. As users approach their target heart rate, the treadmill's computer automatically takes over and changes the speed and/or incline automatically to keep users near their target heart rate. This allows for a completely "hands free" workout.

*A Polar® compatible heart rate monitoring chest strap should be worn during HRC workouts. For increased safety and accuracy, contact heart rate monitoring is not recommended for HRC workouts.

Target Heart Rate:

TRUE's heart rate control (HRC) workouts let the treadmill monitor relative exercise intensity by way of the user's heart rate, then automatically adjust the speed and incline to keep the user at their target heart rate and thus their desired exercise intensity. Heart rate is a good measure of the body's exercise stress level. It reflects differences in physical condition, fatigue, the comfort of the workout environment, even diet and emotional state. Users should compare their heart rate with how they feel to ensure safety and comfort.

Consult a physician to determine target heart rate:

Using heart rate to control a workout takes the guesswork out of the workout settings. Consult a physician before using heart rate controlled workouts for advice on selecting a target heart rate range. Also, it is important to use the treadmill for several workouts in the manual mode while monitoring heart rate. Users should compare their heart rate with how they feel to ensure safety and comfort. After users have spent some time learning how their heart responds to different levels of speed and incline, they will have a better understanding of how to select the maximum speed and maximum incline required for reaching their target heart rate.

Warm Up:

At the beginning of an HRC workout, the treadmill is in full Manual Control mode. Users should gradually increase the workout intensity to slowly raise their heart rate to within 10 beats per minute (bpm) of their target heart rate. The treadmill will operate as if in manual mode during the warm up stage. Users control both speed and incline. The user may only increase speed and incline to the present maximum values entered. It is important that the user starts at a low level of perceived exertion and gradually increase the workout intensity over several minutes until they approach their target heart rate. This allows the body to adapt to the workout. Increasing the workout intensity gradually will allow the user to enter the heart rate control stage without overshooting their target, keeping their heart rate within a few bpm of their target.

*Warming up too fast may cause the user to overshoot their target. If this occurs it may take several minutes before the computer software can control their heart rate. Users may overshoot and undershoot for several minutes until control is achieved.

CHAPTER 4: PROGRAMMING & OPERATION

HEART RATE CONTROL (CONTINUED):

Heart Rate Control Stage:

The treadmill takes control of speed and incline, keeping the user's heart rate within a few bpm of their target. When using the Interval HRC Workout, the treadmill alternates between work and rest intervals.

Cool-Down:

At the end of the workout time or distance, the treadmill reduces the workout intensity by half and goes back into Manual Control mode, where users directly control their cool-down.

PROGRAM DESCRIPTIONS:

Quick Start:

A workout in which the user controls all settings. The workout continues until it is ended by the user.

Manual:

Users enter their weight, workout time or distance. The user controls both the SPEED and INCLINE of the treadmill throughout the workout.

Hill Intervals:

Hill Intervals makes changes to the INCLINE in 2-minute segments with the SPEED remaining constant. Users can make adjustments to the SPEED during the workout. SPEED changes are permanent; INCLINE changes affect the current 2-minute segment only.

Calorie Burner:

This workout allows users to choose the number of calories they wish to burn within a specified workout time. The treadmill will control SPEED and INCLINE within the limits set by the user to attain this goal.

Cardio Challenge:

SPEED and INCLINE increase to a maximum at the mid-point of the workout, then decrease to the finish. INCLINE and SPEED changes affect the current segment only.

Speed Intervals:

Walking or running speed intervals that are in 1-minute segments. Users can make adjustments to the INCLINE during the workout. INCLINE changes are permanent; SPEED changes affect the current 1-minute segment only.

HRC Cruise Control:

While in any program, Cruise Control will allow the user to set current heart rate as target heart rate by pressing a single button. The Cruise Control program takes control of SPEED and INCLINE to maintain the users target Heart Rate. If Beats per Minute exceeds the target by more than 12 BPM the workout will end and Cool Down will begin.

CHAPTER 4: PROGRAMMING & OPERATION

PROGRAM DESCRIPTIONS (CONTINUED):

HRC Target:

Users choose their target heart rate. The treadmill begins in MANUAL control – The user should gradually increase the workout intensity until heart rate is within 10 bpm of their target. At this point, the treadmill takes over to control speed and incline to maintain heart rate within a few beats of the user's target.

Fitness Test:

A fitness test uses heart rate to estimate the user's VO2 max. The test increases SPEED and INCLINE gradually every minute and ends at the point where the user's heart rate reaches 85% of the maximum for their age.

Air Force fitness Test:

1.5-mile running test measured against age and gender calculations. Users can make adjustments to the SPEED during the workout.

Navy Fitness Test:

1.5-mile running test measured against age and gender calculations. Users can make adjustments to the SPEED during the workout.

Army Fitness Test:

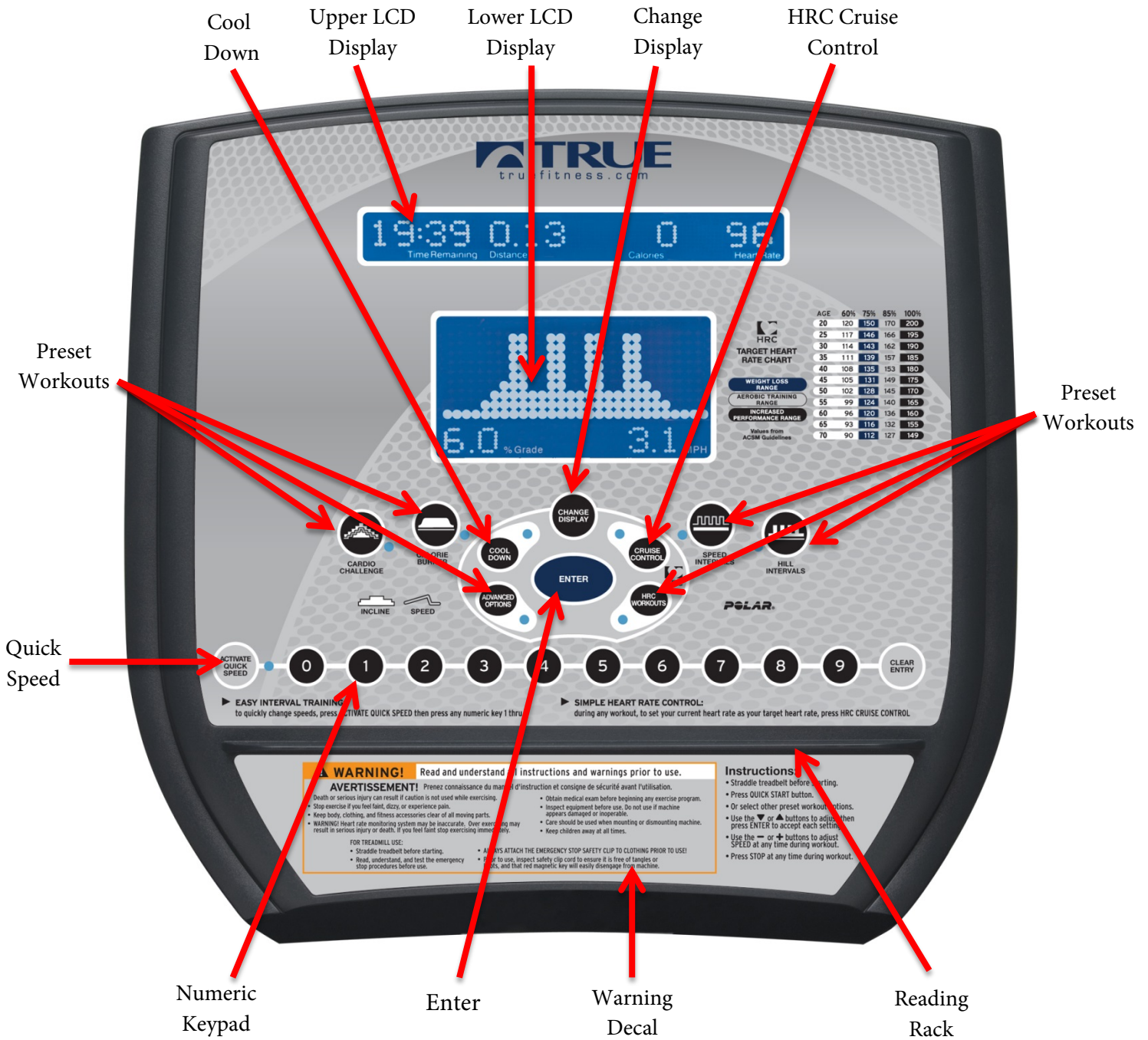
2-mile running test measured against age and gender calculations. Users can make adjustments to the SPEED during the workout.

Marines Fitness Test:

3-mile running test measured against age and gender calculations. Users can make adjustments to the SPEED during the workout.

CHAPTER 4: PROGRAMMING & OPERATION

CONSOLE OVERVIEW:



CHAPTER 4: PROGRAMMING & OPERATION

CONSOLE OVERVIEW (CONTINUED):

Preset Workouts:

Pressing these buttons will display the available workouts. When the desired workout is displayed, the user must press enter to input user data and begin the workout.

Change Display:

Toggles the data in the upper LCD display between available options.

Reading Rack:

A ledge on the console that can be used to hold a book, magazine, e-reader, or tablet computer during a workout.

Warning Decal:

Important safety information for users to review prior to using the equipment.

Enter:

Press this key to confirm a selection in a preset workout.

HRC Cruise Control:

Engages Heart Rate Control to allow the equipment to maintain the user's current heart rate through automatic adjustments (when the user is utilizing heart rate monitoring).

Quick Speed Key:

Use of this key will allow the user to quickly switch between various preset speeds by using the numeric keypad.

Numeric Keypad:

A small panel of keys on the console that allow the user to quickly enter numeric data and/or clear entries.

Upper LCD Display:

Shows the workout data of the program in progress in four value displays.

Lower LCD Display:

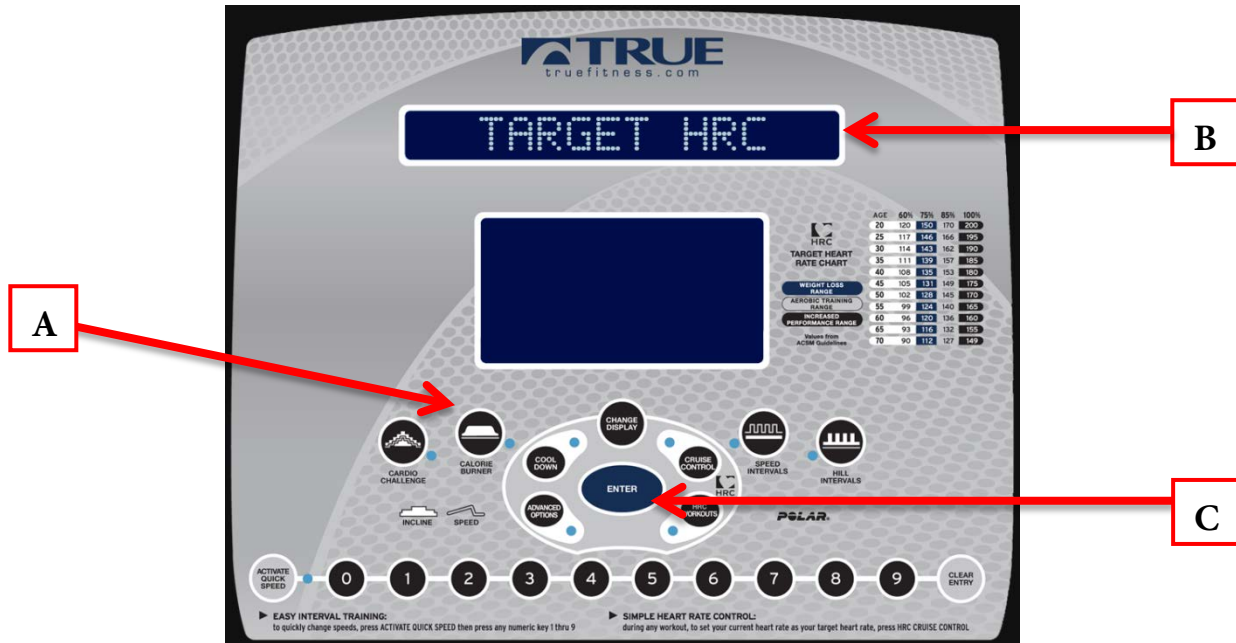
Displays the workout profile of the current program.

CHAPTER 4: PROGRAMMING & OPERATION

CONSOLE NAVIGATION:

Selecting a Preset Workout:

To begin a preset workout, press the desired workouts button (A). When the desired program is shown in the Upper LCD Display (B), press the Enter button (C).



Workout Data Entry:

Before beginning a preset workout, the console will ask the user for information in order to give more accurate workout data. To adjust the Data Value (A), use the Numeric Keypad (B) or the Up and Down Quick Access Keys. Once the desired value is displayed, press Enter (D) to move to the next Data Value. Once all data has been entered press the Start quick access key to begin the workout.



CHAPTER 4: PROGRAMMING & OPERATION

CONSOLE NAVIGATION (CONTINUED):

Workout Summary:

Once a workout has ended the console will display a workout Summary which will give the user an overview of their workout. To Clear the Summary and return to the home screen press and hold the Clear Entry button (A).

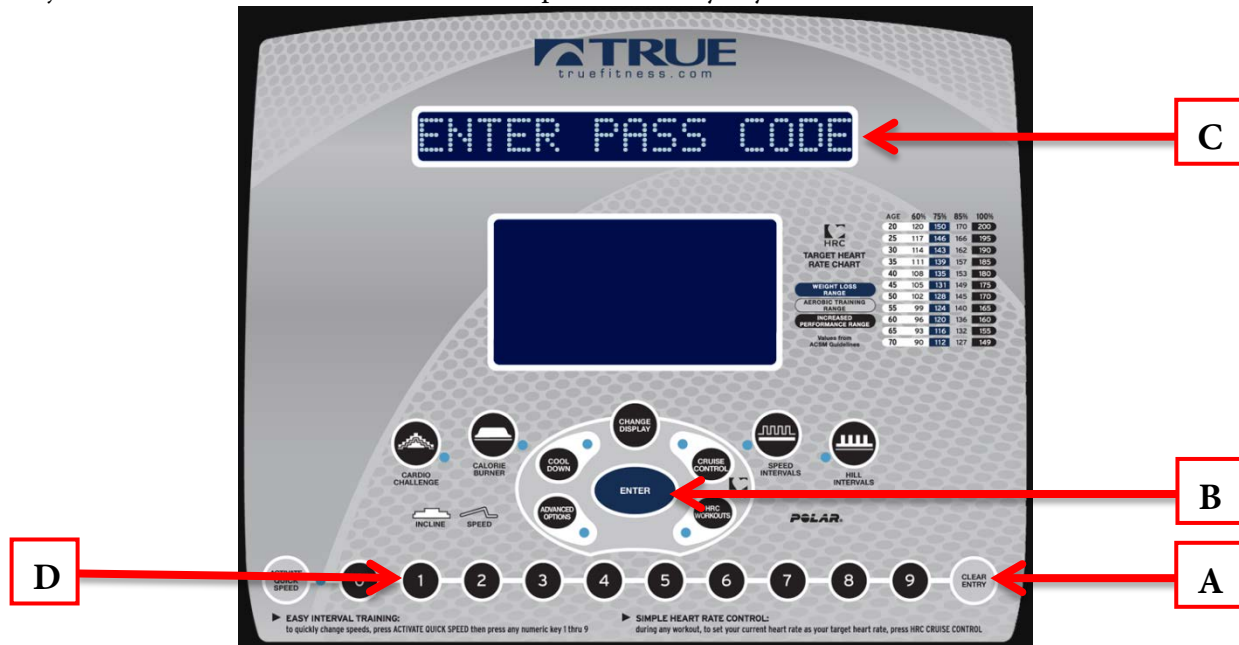


CHAPTER 4: PROGRAMMING & OPERATION

ADVANCED CONSOLE FUNCTIONS:

Entering Setup Mode:

Setup mode allows the user to change the default options for the console and allow the unit to be customized to the facility in which it is installed. To enter Setup Mode, press and hold the Clear Entry button (A) until the console beeps. Then immediately press and hold the Enter button (B) until “ENTER PASS CODE” is displayed on the Upper LCD Display (C). Use the Numeric Keypad (D) to enter 10101 and then press the Enter button (B). To scroll through the available options, use the up and down incline quick access keys. Options can be adjusted by using the + and – speed quick access keys. Once all adjustments have been made, remove and replace the safety key to return to the home screen.



Setup Mode Options:

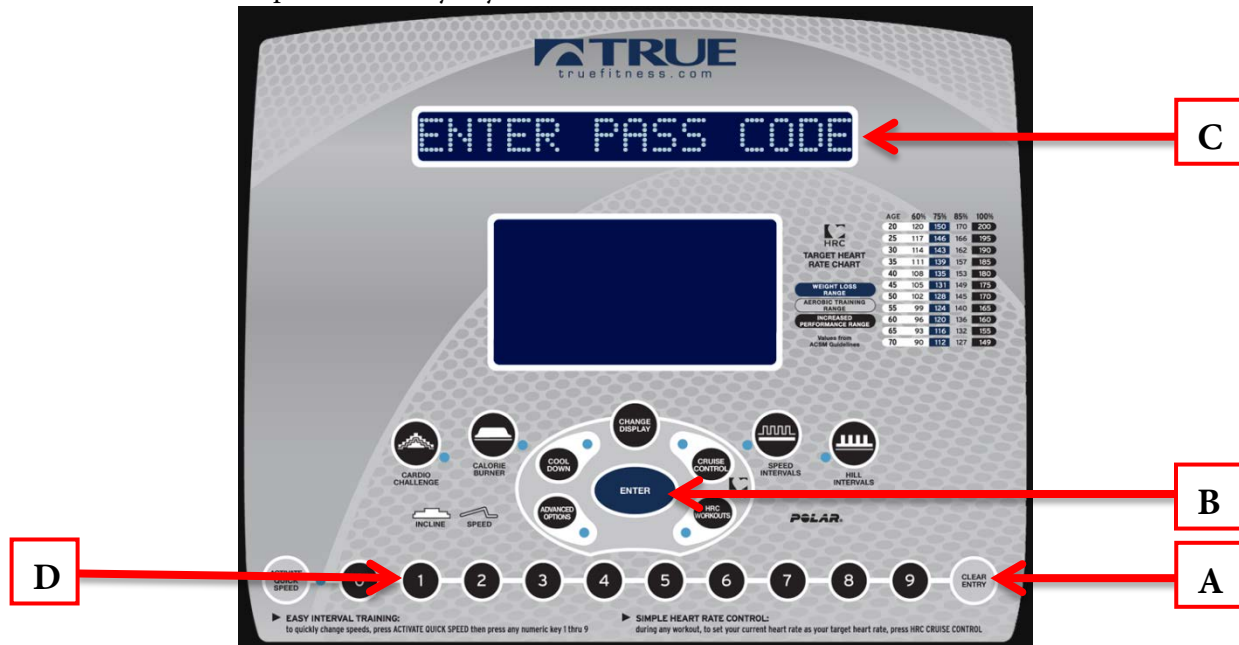
Language:	Choose between English, German, French, and Spanish for the default language.
Units:	Choose between English Standard and Metric Units.
Max Time:	Limits the amount of time that all workouts can last (does not apply to quickstart, manual or distance workouts).
Default Time:	Sets the default workout time.
Reset Time:	Sets the amount of time the console can remain inactive before returning to the home screen
Sound:	Toggles the console sound on or off.
Default Weight:	Sets the default user weight.
DM LC Backlight	Adjusts the backlight brightness of the lower LCD display
DM Contrast	Adjusts the contrast of the lower LCD display.
MC LCD BKLT	Adjusts the backlight brightness of the upper LCD display.
MC Contrast	Adjusts the contrast of the upper LCD display.
HR Priority	Set to “0” for Telemetry or “1” for contact
CSafe	Enables or Disables CSafe power.
Reset Model Def	Not Used
Error Log	Will display the 5 most recent errors that have occurred.

CHAPTER 4: PROGRAMMING & OPERATION

ADVANCED CONSOLE FUNCTIONS (CONTINUED):

Entering Maintenance Mode:

Maintenance Mode is used to troubleshoot issues and to test console functions. To enter Maintenance Mode, press and hold the Clear Entry button (A) until the console beeps. Then immediately press and hold the Enter button (B) until “ENTER PASS CODE” is displayed on the Upper LCD Display (C). Use the Numeric Keypad (D) to enter 20173 and then press the Enter button (B). To scroll through the available options, use the up and down incline quick access keys. Options can be selected by pressing the start quick access key. To return to the list of options, press the stop quick access key. When finished, remove and replace the safety key to return to the home screen.



Maintenance Mode Functions:

Console Version	Displays the current software version of the console.
Usage Hours:	Displays the accumulated amount of time that the console has been in use.
Usage Miles:	The approximate distance in miles that the unit has been used.
Program Starts:	A count of how many programs have been used.
Display Test:	Illuminates all LCD segments to allow the user to check for faulty LCD's.
Heart Rate Test:	Allows for a test of the contact and/or telemetry heart rate system.
Contrast Test:	Allows the user to test the console's contrast.
Backlight Test:	Allows the user to test the console's backlight.
LCB Control Test:	Enters Calibration mode to allow a test of the units drive system.
CS/BV Test:	Not Used
Smart Card/MotorBD:	Displays the Smart Card firmware version.
Remote Key Test:	Tests the functions of the unit's keypads.
Current Test:	Tests for RPM feedback from the speed sensor.
Safe Switch Test:	Tests the function of the safety key system.
Program Usage:	Displays the usage stats for each program.
BV Setup:	Not Used
Watchdog Test:	Not Used

CHAPTER 5: CARE & MAINTENANCE

CARE & MAINTENANCE:

It is important to perform the minor maintenance tasks described in this section. Failure to maintain the treadmill as described here could void the TRUE Fitness Warranty. To reduce the risk of electrical shock, always unplug the unit from its power source before cleaning or performing any maintenance tasks.

Inspection:

TRUE Fitness is not responsible for performing or scheduling regular maintenance or inspections. Users should inspect the treadmill daily. Check for worn, frayed or missing safety lanyards. Replace missing or worn safety lanyards immediately. Do not exercise on the treadmill without attaching the safety clip to your clothing. Look and listen for slipping belts, loose fasteners, unusual noises, worn or frayed power cords, and any other indications that the equipment may be in need of service. If any of these are noticed, obtain service. Do not attempt to use the treadmill until proper service has been performed or damaged parts have been replaced.

Important:

If you determine that the treadmill needs service, make sure that the treadmill cannot be used inadvertently. Turn the unit off, and then unplug the power cord from its power source. Remove the magnetic safety key and safety clip and store it in a safe place. Make sure other users know that the treadmill needs service.

*To order parts or to contact a TRUE Authorized Service representative, please visit www.truefitness.com.

CLEANING THE EQUIPMENT:

After Each Use:

- Use GymWipes™ Antibacterial wipes or spray a solution of 30 parts water to 1 part mild detergent to dampen a soft cloth and wipe all exposed surfaces.
- Use a LCD/screen cleaner or spray a solution of 1 part 91% isopropyl alcohol and 1 part water to dampen a soft cloth and wipe the surface of the console. This helps remove fingerprints, dust, and dirt.

Weekly:

- Vacuum any dust or dirt that might have accumulated under or around the treadmill, any motor cover vents and under the straddle covers. Clogged air vents can prevent adequate cooling to the drive motor, incline motor, and motor control board causing a shortened life.
- Check for proper running belt alignment and tension. If running belt adjustment is required see sections RUNNING BELT ALIGNMENT: and TENSIONING THE RUNNING BELT: below.

CAUTION:

Do not use any acidic cleaners. Doing so will weaken the paint or powder coatings and may void the TRUE Fitness Warranty. Never pour water or spray liquids on any part of the treadmill. Allow the treadmill to dry completely before using. Frequently vacuum the floor underneath the unit to prevent the accumulation of dust and dirt, which can affect the smooth operation of the unit. Use a soft nylon scrub brush to clean the running belt. Do not clean directly underneath the treadbelt. Most of the working mechanisms are protected inside the motor cover and base of the treadmill. However, for efficient operation, the treadmill relies on low friction. To keep the friction low, the unit's running belt, staging platforms, and internal mechanisms must be as clean as possible.

CHAPTER 5: CARE & MAINTENANCE

RUNNING BELT ALIGNMENT:

Proper belt alignment allows the belt to remain centered and ensures smooth operation. Realigning the belt takes a few simple adjustments. If you are unsure about this procedure, call the TRUE Service Department.

⚠ CAUTION:

Special care must be taken when aligning the running belt. Turn off the treadmill while adjusting or working near the rear roller. Remove any loose clothing and tie back your hair. Be very careful to keep your fingers and any other object clear of the belt and rollers, especially in front of the roller and behind the deck. The treadmill will not stop immediately if an object becomes caught in the belt or rollers.

⚠ CAUTION:

If you hear any chafing or the running belt appears to be getting damaged, stop the running belt immediately by pressing the STOP key. Contact the TRUE Service Department. Walk around to the rear of the unit and observe the belt for a few minutes. The belt should be centered on the running deck. If the belt drifts off center, you must make adjustments.

Important:

Failure to align the belt may cause the belt to tear or fray, which may not be covered under the TRUE Fitness Warranty. To stop the running belt, press the STOP key. Turn the treadmill off.

⚠ CAUTION:

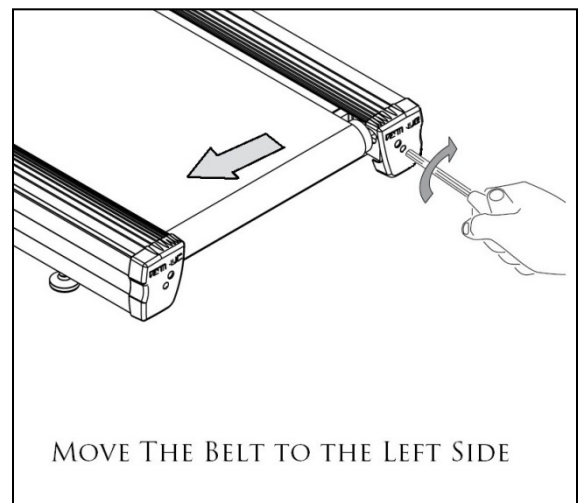
For your safety, use the power switch to turn off the treadmill before making any adjustments. Do not adjust the running belt when someone is standing on the unit.

⚠ CAUTION:

Do not turn the adjusting bolt more than $\frac{1}{4}$ turn at a time. Over tightening the bolt can damage the treadmill. If you are unsure how to adjust the running belt, call the TRUE Service Department.

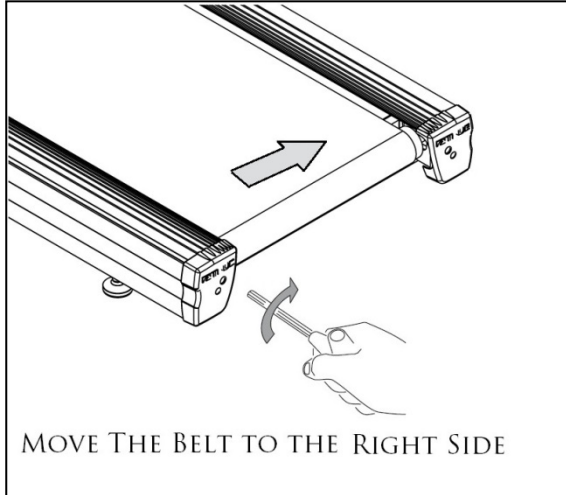
If the running belt is too far to the right side:

- Locate the belt adjustment bolts in the rear end caps of the treadmill. (To determine left and right, stand at the rear of the treadmill and face the display).
- Using the appropriate size Allen wrench or socket turn the RIGHT adjustment bolt clockwise $\frac{1}{4}$ turn.
- Turn the treadmill on and start the belt at 3mph keeping off the unit.
- Allow 2 minutes for the belt to adjust itself.
- Repeat the above steps if additional adjustment is necessary.



CHAPTER 5: CARE & MAINTENANCE

RUNNING BELT ALIGNMENT (CONTINUED):



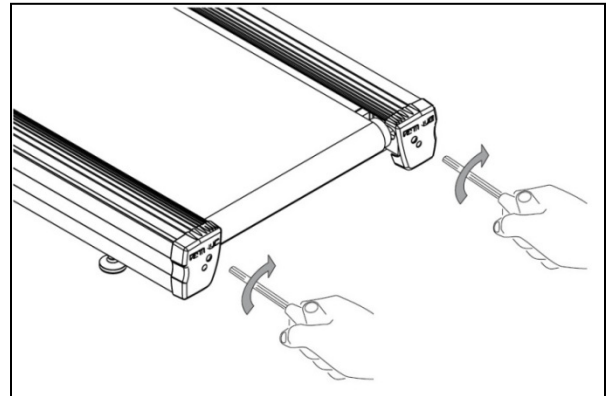
If the running belt is too far to the left side:

- Locate the belt adjustment bolts in the rear end caps of the treadmill. (To determine left and right, stand at the rear of the treadmill and face the display).
- Using the appropriate size Allen wrench or socket turn the LEFT adjustment bolt clockwise $\frac{1}{4}$ turn.
- Turn the treadmill on and start the belt at 3mph keeping off the unit.
- Allow 2 minutes for the belt to adjust itself.
- Repeat the above steps if additional adjustment is necessary.

TENSIONING THE RUNNING BELT:

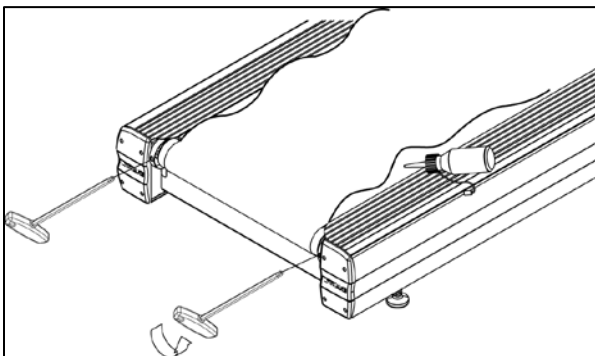
If there is a slipping or jerking sensation when running on the treadmill, the running belt may require tightening. In most cases the belt has stretched from use. Tensioning the belt takes a few simple adjustments. If you are unsure about this procedure, call the TRUE Service Department.

- Locate the belt adjustment bolts in the rear end caps of the treadmill.
- Using the appropriate size Allen wrench or socket turn BOTH adjustment bolts clockwise $\frac{1}{4}$ turn.
- Turn the treadmill on and start the belt and check if the slipping continues. Repeat the above steps if additional adjustment is necessary.



TREADMILL LUBRICATION:

For commercial use over 20 hours per week, TRUE recommends lubricating every three months.



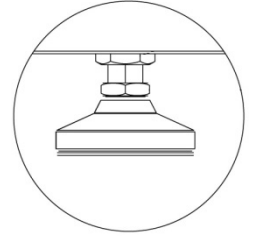
- Loosen the belt adjustment bolts in the rear end caps.
- Lift the belt and apply the lubricant to the center of the deck.
- Center and re-tension the belt using the directions above.
- Walk on the treadmill at 2MPH for about 60 seconds to spread the lubricant evenly through the belt and deck.

*Please contact your dealer or visit www.truefitness.com to obtain the proper lubricants.

CHAPTER 5: CARE & MAINTENANCE

LEVELING THE TREADMILL:

The treadmill has adjustable rear leveling feet. Make sure that the running surface is level. If the treadmill is placed on an uneven surface, adjusting the rear feet can help, but may not completely compensate for extremely uneven surfaces.



OTHER SCHEDULED PREVENTIVE MAINTENANCE:

TRUE recommends that quarterly scheduled maintenance be performed by a qualified service technician. Please contact your dealer or visit www.truefitness.com to contact a local TRUE authorized service technician.

Scheduled Preventive Maintenance:

- Record time, distance and hours from the console.
- Check error log in console.
- Check running belt and drive belt tension and tracking.
- Remove the motor cover and vacuum any debris out of the drive motor, speed sensor cage, motor control board and heat sink motor compartment.
- Move treadmill and vacuum underneath.
- Lubricate elevation pivot points including rear stabilizing feet and the lift motor screw.
- Lubricate walking belt and deck.
- Inspect all fasteners.
- Inspect all electrical connections.
- Inspect all components for abnormal or premature wear.

▲ CAUTION:

Use only TRUE Fitness certified service providers.

LONG TERM STORAGE:

When the treadmill is not in use for any length of time, turn it off. Make sure that the power cord is unplugged from the power source and is positioned so that it will not become damaged or interfere with people or other equipment.

Storing the Chest Strap:

Store the chest strap in a place where it remains free of dust and dirt such as, in a closet or drawer. Be sure to protect the chest strap from extremes in temperature. Do not store it in a place that may be exposed to temperatures below 32° F (0° C). To clean the chest strap, use a sponge or soft cloth dampened in mild soap and water. Dry the surface thoroughly with a clean towel.

CHAPTER 6: CUSTOMER SERVICE

CONTACTING SERVICE:

TRUE Fitness recommends that you gather the serial number, model number, and a brief description of the reason for the request. After information has been gathered you may choose to contact your selling dealer or local service company to set an appointment. (If you are not familiar with who is in your area, you may visit our website at www.truefitness.com and use our dealer locator to obtain the contact information for the closest dealer).

You may also contact TRUE Fitness' customer support team by calling 800.883.8783 or e-mailing us at service@truefitness.com Monday – Friday during normal business hours.

TRUE FITNESS SERVICE DEPARTMENT

865 HOFF ROAD

ST. LOUIS, MO 63366

1.800.883.8783

HOURS OF OPERATION: 8:30 A.M. - 5:00 P.M. CST

E-MAIL: service@truefitness.com

CONTACTING SALES:

Interested in TRUE Products? Please contact us with any sales or product inquires so that we may direct you to the appropriate sales representative to answer your questions.

TRUE FITNESS HOME OFFICE

865 HOFF ROAD

ST. LOUIS, MO 63366

1.800.426.6570

HOURS OF OPERATION: 8:30 A.M. - 5:00 P.M. CST

E-MAIL: sales@truefitness.com

CHAPTER 6: CUSTOMER SERVICE

REPORTING FREIGHT OR PARTS DAMAGE:

Unfortunately, sometimes materials can be damaged during shipment. If materials are damaged during shipment, please follow the guidelines below to determine the appropriate process for you to follow in case of damages.

Severe Damage:

Obvious damage to external packaging / internal product. Please **refuse** the shipment and it will be returned to TRUE Fitness by the carrier. Contact the TRUE Fitness customer support team by calling 800.883.8783 or sales support team by calling 800.426.6570 Monday-Friday during normal business hours to notify us that the shipment has been refused. Once we have received the damaged shipment, a replacement shipment will be sent to you. Only refuse the damaged piece if the shipment is multiple boxes.

Slight Damage:

The box may have minimal damages and you are not sure if the actual product is damaged or not. You **must** sign the bill of lading as damaged when accepting the shipment. Once you have opened the box and you have determined something is indeed damaged please gather the serial number, model number, description and photos of damages. Please make sure the photos include the damaged product as well as the damaged box the product arrived in. Contact the TRUE Fitness customer support team by calling 800.883.8783 or sales support team by calling 800.426.6570 Monday-Friday during normal business hours.

Concealed Damage:

You may receive a shipment that looks intact and discover once the box has been opened that there are hidden damages. Please notify the carrier **immediately**. We will not be able to file a claim if the carrier is not notified in a timely manner. Once you have called the carrier you will need to gather the serial number, model number, description and photos of damages. Contact the TRUE Fitness customer support team by calling 800.883.8783 or sales support team by calling 800.426.6570 Monday-Friday during normal business hours.

CHAPTER 7: ADDITIONAL INFORMATION

TROUBLESHOOTING GUIDE:

This troubleshooting guide is intended to assist in diagnostics only and is not all inclusive. Technical specifications, error codes and programming are subject to change without notice. TRUE accepts no liability for any damage or loss suffered by persons whom rely wholly or in part on any description or statement contained within this manual. Please visit www.truefitness.com to obtain the most recent version of all manuals and contact the TRUE Service Department at 800-883-8783 for assistance with troubleshooting and diagnostics.

Malfunction	Possible Cause	Corrective Action
No Power	Unit turned off	Verify the On/Off switch is at the ON position
	Damaged power cord	Replace power cord
	Power cord not fully seated in socket	Inspect power connection at the unit and outlet
	No power at outlet	Using a voltmeter verify power at outlet
	Tripped circuit breaker	The location of the circuit breaker is next to the On/Off switch. Verify the circuit breaker is not open. If the breaker is open reset.
Unit resets or pauses randomly	Damaged power cord	Replace power cord
	Power cord not fully seated in socket	Inspect power connection at the unit and outlet
	Safety e-stop key not fully engaged	Re-engage the safety/e-stop key to the console
	Insufficient power	Verify output voltage from 20A outlet with a voltmeter
	Error code is displayed on console	Contact True Fitness Customer Service Department
	Pinched or loose main communication cable	Contact True Fitness Customer Service Department
	No User Present displayed on screen	User weight must be over 90lbs. Verify No User Present settings in console.
Walking belt is off center	Uneven floor	Adjust treadmill with rear leveling feet. See Chapter 5: Running Belt Alignment
	Adjust belt tracking	See Chapter 5: Centering the Running Belt
Walking belt hesitates or slips when stepping	Adjust belt tension	See Chapter 5: Tensioning the Running Belt
	Lubricate running belt	See Chapter 5: Treadmill Lubrication

CHAPTER 7: ADDITIONAL INFORMATION

TROUBLESHOOTING GUIDE (CONTINUED):

Malfunction	Possible Cause	Corrective Action
Rubbing sound from treadmill when in operation	Walking belt is rubbing a straddle cover	Adjust belt tracking. See Chapter 5: Centering the Running Belt
	Foreign object may be stuck under walking belt	Inspect under the unit. Remove and object that may be under the unit.
	Foreign object may be stuck in motor compartment	Contact True Fitness Customer Service Department
	Roller bearings may be damaged	Contact True Fitness Customer Service Department
	Drive motor may be damaged	Contact True Fitness Customer Service Department
	Drive belt may be misaligned	Contact True Fitness Customer Service Department
Heart rate is displaying erratically or not displaying	Transmitter belt contacts are not making good contact with the skin	Re-adjust the transmitter belt so that it is in full contact with the skin
	Contacts on the transmitter belt are not moist	Moisten the contacts on the transmitter belt
	Transmitter belt is not within 3 feet (1 meter) of the heart rate receiver	Adjust your position on the belt so that you are within 3 foot (1 meter) of the console
	The battery inside the transmitter belt is depleted	replace the transmitter belt with a compatible transmitter belt
	Another user wearing a compatible transmitter strap is within 3 foot (1 meter) of the unit	Move the units so that there is more space in-between units
Heart rate is displaying erratically or not displaying (continued)	Environmental interference from high voltage power lines	Move the unit to another position within the room or move the cause of the interference until heart rate reading are stable. If the probable source of interference is plugged into the same outlet move the suspect source to another outlet.
	Environmental interference from computers	
	Environmental interference from motor driven appliances	
	Environmental interference from cell or cordless phone	
	Environmental interference from Wi-Fi router	

CHAPTER 7: ADDITIONAL INFORMATION

TRUE COMMERCIAL



Premium Fitness Equipment Since 1981

With years of experience, the TRUE Fitness brand has become synonymous with quality and the CS200 treadmill is no exception. With patented features such as Heart Rate Cruise Control and True's Soft System, the CS200 treadmill will exceed the expectations of advanced users as well as beginners.



CS200

CHAPTER 7: ADDITIONAL INFORMATION



TRUE[®]

C O M M E R C I A L

CS200 TREADMILL

TECHNICAL SPECIFICATIONS

Power Source 110V/15A

Cord Length 10' (3.0M)

Drive Motor 4 HP AC Endura-Drive

Incline Motor 1,000 lbs. of thrust

Speed Sensor Optical

Deck 1" (0.8 cm) Medium Density Fiberboard

Belt Siegling Multi-Ply with PVC Coating

Rollers 3" (8 cm) w/ Sealed Bearings

Impact System True Soft System

Frame Construction Robotically Welded Heavy-Gauge Steel

Lubrication Silax

Speed Range 0.5 to 12.0 MPH (0.8 to 19.3 km/H)

Incline/Decline Range 0% to 15%

Quick Access Control Speed, Incline, Start and Stop on Quick Access Point

Handrail Design Extended Handrails with Molded Rubber, Moisture Resistant Grips

Contact Heart Rate Monitoring Yes

Wireless Heart Rate Monitoring Polar[®] Compatible

CONSOLE

Display LCD

Programs 12

HRC Workouts 1

HRC Cruise Control Standard

CSAFE Power Standard

Diagnostic Standard

SAFETY

Safety Clip Standard

Extended Handrails Standard

Large Straddle Covers Standard

User Detection User Present Detection™

PHYSICAL SPECIFICATIONS

Footprint 82.5"L x 35.5"W (210 cm x 90 cm)

Running Surface 60"L x 22"W (152 cm x 56 cm)

Machine Weight 349 lbs. (159 kg)

Maximum User Weight 350 lbs. (159 kg)

Step-Up Height 6.25" (16 cm)

Portability 2 Front Transport Wheels

WARRANTY

Warranty Type Commercial (non-dues paying facilities with less than 8 hours of usage per day)

Frame Lifetime

Motor 5 Years

Parts 5 Years

Labor 1 Year

Warranties outside the U.S. and Canada may vary - Please contact your dealer for details. Specifications subject to change without notice.

052914
BROCH14C20

truefitness.com | 800.426.6570 | 636.272.7100 ©2013 True Fitness Technology, Inc

CHAPTER 7: ADDITIONAL INFORMATION



LIGHT COMMERCIAL LIMITED WARRANTY CS200 TREADMILL

Save Time and Register Online!
Activate Multiple Warranties at truefitness.com/support

All TRUE® Fitness products are distributed by TRUE and are warranted to the original registered product purchaser and the parts of the TRUE product (the "Product") listed below, under normal use and service, shall be free of manufacturing defects in workmanship and materials only for the period of time beginning from the original date of purchase set forth below:

Frame*	Lifetime
Motor Drive Motor Motor Controller	5 Years 5 Years
Parts Electrical Wear Items Cosmetics	5 Years 5 Years 6 Months
Labor Parts Motor Cosmetics	1 Year 1 Year 6 Months
USB Port	90 Days Parts, No Labor

NOTE: Warranty valid for USA and Canada only.
NOTE: Failure to register this product will result in no servicing or authorization of parts to be shipped.
NOTE: Buying after-market products from a 3rd party will result in voided warranty.
NOTE: This product is intended for Light Commercial use which includes non-dues paying facilities where usage does not exceed 8 hours per day. If this product will not be used in this particular setting, please contact TRUE as this warranty is void.

Frame: The frame is warranted for defects in material and workmanship for as long as the original purchaser owns the Product. The frame is warranted for labor and freight (for parts shipped from TRUE) for one year from date of purchase. * This limited warranty on structural frame does not include paint or coatings.

Parts: The treadmill electrical parts and wear items are warranted for defects in material and workmanship for five years with one year labor warranty. This limited warranty does not cover damage or equipment failure resulting from or caused by improper assembly/installation, failure to follow

instructions and warnings in owner's manual, accident, misuse, abuse, unauthorized modification, or failure to provide reasonable and necessary maintenance. *TRUE Fitness shall not warrant the performance of the heart rate system on its products, as the heart rate system performance varies, based on user's physiology, age, method of use and other factors. *This limited warranty shall not apply to software version upgrades.

Cosmetics: The treadmill cosmetic parts are warranted for defects in material and workmanship for six months with labor warranty to match the parts warranty period. This limited warranty does not cover damage or equipment failure resulting from or caused by improper assembly/installation, failure to follow instructions and warnings in owner's manual, accident, misuse, abuse, unauthorized modification, or failure to provide reasonable and necessary maintenance. This limited warranty will apply to but may not be limited to plastic covers, shrouds, caps, badges, overlays, paint, coatings, soft step inserts and grips.

USB Connectivity: The USB Port is warranted for defects in material and workmanship for 90 days with no labor warranty.

Labor: Labor is covered for a period of one year from the date of purchase unless otherwise expressed within this limited warranty as long as a TRUE authorized service provider performs the service. Service that requires over 50 miles of travel may be subject to additional charges. Reasonable and necessary maintenance guidelines can be found in the owner's manual.

Claims Procedure: TRUE Limited Warranty service may be obtained by contacting the authorized TRUE dealer from whom the Product was purchased. If the dealer from whom the Product was purchased is no longer an authorized TRUE dealer, then TRUE Limited Warranty service may be obtained by contacting TRUE directly at:

TRUE Fitness, Service Department
865 Hoff Road, St. Louis, MO 63366
1.800.883.8783
Hours of operation 8:30am - 5:00 pm CST

CHAPTER 7: ADDITIONAL INFORMATION



LIGHT COMMERCIAL LIMITED WARRANTY CS200 TREADMILL

Save Time and Register Online!

Activate Multiple Warranties at truefitness.com/support

The above Limited Warranty is subject to and will be in accordance with the conditions set forth below:

1. This Limited Warranty can be processed only if the Warranty Registration Form is completed on-line; or if the attached form is filled in, signed by the original purchaser and mailed to TRUE within 30 days of purchaser's receipt of this Product. The serial number must be intact on the Product for this Limited Warranty to be valid.
 2. This Limited Warranty applies to the product only while the Product remains in the possession of the original purchaser and is not transferable.
 3. This Limited Warranty becomes VALID ONLY if the Product is initially assembled/installed by a TRUE authorized dealer/ technician (if anyone other than a TRUE authorized dealer/ technician initially assembles and installs the Product, this Limited Warranty will be void unless the written authorization of TRUE is first obtained).
 4. This Limited Warranty does not cover damage or equipment failure resulting from or caused by improper assembly/ installation, failure to follow instructions and warnings in owner's manual, accident, misuse, abuse, unauthorized modification, or failure to provide reasonable and necessary maintenance (as referenced in the owner's manual.)
 5. This Limited Warranty applies only to the cost of repair or replacement of parts and does not include labor (beyond the above warranty period), transportation, service, return and freight charges associated therewith expressly specified herein.
 6. This Limited Warranty shall not apply to: Service calls to correct installation of the equipment or instruction to owners on how to use the equipment; or any labor costs incurred beyond the applicable labor warranty period.
 7. This Limited Warranty is in lieu of all warranties, express or implied, and in lieu of all other obligations or liabilities on the part of TRUE, under no circumstances shall TRUE be liable by virtue of this Limited Warranty or otherwise from damage to any person or property whatsoever for any special, indirect, incidental, secondary or consequential losses, damages or expenses in connection with exercise products.
- Any implied warranty is limited in duration to the time period covered by the Limited Warranty. Some states do not allow limitations on how long an implied warranty lasts, or the exclusion may not apply to you. This Limited Warranty grants you specific legal rights and you may also have other rights, which vary from state to state.

NOTE TO AUTHORIZED WARRANTY LABOR PROVIDERS:

Warranty labor reimbursement or warranty parts rights may not be transferred to, reassigned to, a third party without the

express written consent of TRUE. Even jobbing out warranty labor requires TRUE's written approval.

CS200 TREADMILL SERIAL NUMBERS:

The CS200 treadmill comes with two serial numbers; one on the base and one on the display console (see diagram below). The serial number on the base is located on the front inside sheet metal on the bottom right hand side. The console serial number is located on the bottom right side of each console. Please write down your serial numbers below and keep for your records.

CONSOLE SERIAL NUMBER:

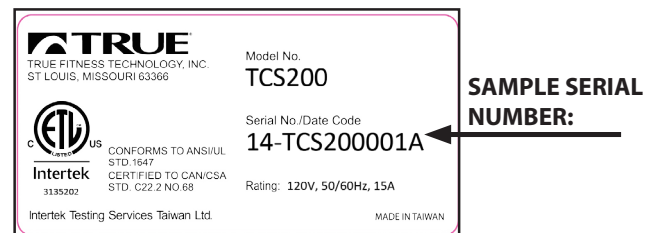
--	--	--	--	--	--	--

BASE SERIAL NUMBER:

--	--	--	--	--	--	--



SAMPLE SERIAL NUMBER STICKER:



Keep this page for your records

CHAPTER 7: ADDITIONAL INFORMATION



LIGHT COMMERCIAL LIMITED WARRANTY CS200 TREADMILL

Thank you for purchasing a TRUE product. To validate the TRUE product warranty the fast and easy way, please go on-line now to truefitness.com/support and register your product. The information you provide will never be distributed to any other individuals or agencies for any purpose. If you prefer to mail your warranty card, have the owner of the product complete the information below and return it to TRUE Fitness within 30 days from the date of equipment installation.

To mail your warranty information, please fill in the information below and mail to: Service Dept., TRUE Fitness, 865 Hoff Road, St. Louis, MO 63366 (or save postage and register online at truefitness.com/support)



Light Commercial Warranty Registration

**PLEASE PROVIDE BOTH SERIAL NUMBERS BELOW.
REQUIRED FOR WARRANTY REGISTRATION:**

CONSOLE SERIAL NUMBER:

--	--	--	--	--	--	--

BASE SERIAL NUMBER:

--	--	--	--	--	--	--

Model Type: CS200 Light Commercial Treadmill

Date of Purchase _____

Your Company Name _____

Contact First Name _____

Contact Last Name _____

Address _____

City _____ State _____ ZIP _____

Email Address _____

Phone _____ Fax _____

1. Where did you first learn about TRUE?

- a. Dealer b. Website
 c. Advertisement d. Referral
 e. Current Customer f. Other _____

2. Why did you purchase a TRUE product?

- a. Design/Appearance b. Dealer Suggestion
 c. Price/Value d. Quality Construction
 e. Performance f. TRUE Reputation
 g. Other _____

3. Please indicate your type of facility:

- a. Apartment/Condo b. Corporate Fitness Center
 c. Municipality d. Health Club/Gym/Spa
 e. Hotel/Resort f. Military Base
 g. Student Rec Center h. Other

4. What other types of equipment does your company currently own?

- a. Treadmill Brand _____
 b. Bike Brand _____
 c. Elliptical Brand _____
 d. Free Weights/Gym Brand _____

5. How many people use your facility on a daily basis?

- a. <25 b. 25-75
 c. 76-150 d. 150+

6. Do you plan to purchase more fitness equipment in the next 6-12 months?

- Yes No

7. If you answered "yes" to question 6, what type do you plan to purchase?

- a. Treadmill b. Elliptical
 c. Stationary Bike d. Free Weights
 e. Gym f. Other _____

8. Would you recommend TRUE to other club owners?

- Yes No

9. You are a valued TRUE customer and your suggestions allow us to continually improve your experience. Is there anything else you would like us to know? Please explain: