

 TRUE®

# PS800 TREADMILL



## OWNER'S MANUAL

Model TPS800-17  
Version 072517

\* Assembly Guide & Warranty Card Included

# PS800 TREADMILL OWNER'S MANUAL

## IMPORTANT:

All Products shown are prototype. Actual product delivered may vary.  
Product specifications, features & software are subject to change without notice.  
For the most up to date owner's manual please visit [www.truefitness.com](http://www.truefitness.com).  
For documents in additional languages please visit [www.truefitness.com/resources/document-library/](http://www.truefitness.com/resources/document-library/)

## IMPORTANTE:

Todos los productos mostrados son prototipos. La realidad el producto suministrado puede diferir.  
Especificaciones de productos, características y software están sujetas a cambios sin previo aviso.  
Para la más actualizada de este manual del propietario, por favor visite [www.truefitness.com](http://www.truefitness.com)  
Para los documentos en otros idiomas, por favor visite [www.truefitness.com/resources/document-library/](http://www.truefitness.com/resources/document-library/)

## IMPORTANT:

Tous les produits présentés sont prototype. Le produit réel livré peut varier.  
Spécifications du produit, caractéristiques et logiciels sont sujettes à modification sans préavis.  
Pour la plus à jour le manuel du propriétaire s'il vous plaît visitez [www.truefitness.com](http://www.truefitness.com).  
Pour documents dans des langues supplémentaires, veuillez [www.truefitness.com/resources/document-library/](http://www.truefitness.com/resources/document-library/) de visite

## 重要:

显示所有产品均经过样机。交付可能会有所不同实际产品。  
产品规格,功能和软件如有更改,恕不另行通知。  
对于大多数最新的用户手册,请访问[www.truefitness.com](http://www.truefitness.com)  
对于其它语言的文档,请访问[www.truefitness.com/resources/document-library/](http://www.truefitness.com/resources/document-library/)

## اهم:

فصلت دق اهم لست يلع لال جت نم لال . ج ذوم نللا يه ذور عم لال تاجت نم لال عي ج  
راعش ل نود ري ي غت لل ع ض خت ج ارب لال و تازي لال و ، جت نم لال تافص او م  
[www.truefitness.com](http://www.truefitness.com) ةراي زي جري خيرات كلال لال لي ل ل ل صي ام مظع ل  
[www.truefitness.com/resources/document-library/](http://www.truefitness.com/resources/document-library/) ةراي زي جري ، ةيفاض ل تاغ لب تادنت سم ل

## WICHTIG:

Alle hier gezeigten Produkte sind Prototypen. Das tatsächliche Produkt ausgeliefert wird, kann variieren.  
Produkt-Spezifikationen, Funktionen und Software können sich ohne vorherige Ankündigung ändern.  
In den meisten Fällen bis zu Bedienungsanleitung Bisher besuchen Sie bitte [www.truefitness.com](http://www.truefitness.com).  
Für Dokumente in weiteren Sprachen finden Sie unter [www.truefitness.com/resources/document-library/](http://www.truefitness.com/resources/document-library/)

## BELANGRIJK:

Alle getoonde producten zijn prototype. Daadwerkelijke product geleverd kan verschillen.  
Product specificaties, eigenschappen & software zijn onderhevig aan verandering zonder kennisgeving.  
Voor de meest actuele handleiding van de eigenaar kunt u terecht [www.truefitness.com](http://www.truefitness.com).  
Voor documenten in andere talen kunt u terecht op [www.truefitness.com/resources/document-library/](http://www.truefitness.com/resources/document-library/)

## ВАЖНО:

Все товары указаны прототипа. Фактический продукт, поставляемый могут отличаться.  
Технические характеристики, особенности и программного обеспечения могут быть изменены без предварительного уведомления.  
Для получения самой последней на сегодняшний день руководство по эксплуатации пожалуйста, посетите [www.truefitness.com](http://www.truefitness.com)  
.Для документов на другие языки, пожалуйста, посетите [www.truefitness.com/resources/document-library/](http://www.truefitness.com/resources/document-library/)

# PS800 TREADMILL OWNER'S MANUAL

Frank Trulaske began TRUE Fitness over thirty-five year ago with the simple philosophy of delivering superior fitness products, service and support. Today, TRUE is the global leader in premium fitness equipment for the commercial and residential markets. Our goal is to be the leader in technology, innovation, performance, safety and style. TRUE has received many awards for its product over the years and remains the benchmark for the industry. Fitness facilities and consumers invest in TRUE products for their durable commercial platforms used in all its products, both commercial and residential alike.

The proud manufacturing tradition of quality and the culture of innovation at TRUE have given rise to a full line of extraordinary cardio and strength equipment. As a result, people all over the world are benefiting from the TRUE experience. Innovation across the full product line has made TRUE successful and is a trademark of the TRUE heritage. TRUE's patented Heart Rate Control technology is just one of the remarkable ways we deliver simple and superior performance every user can enjoy, and most importantly, use to achieve personal health and fitness goals.

At the heart of our success is the relentless and systematic life testing of both our products and their components. We have dedicated employees who understand our philosophy is to deliver the best products in the world.

Our goal is to deliver the world's best premium equipment for our customers' health and fitness solutions.



T R A N S C E N D   A L L   O T H E R S

# PS800 TREADMILL OWNER'S MANUAL

## TABLE OF CONTENTS:

### **Chapter 1: Safety Instructions**

Safety Instructions.....	1
Space Requirements.....	4
Use of Safety Key.....	4
Grounding Instructions.....	5
Power Requirements.....	6
Warning Decals.....	7

### **Chapter 2: Assembly Guide**

Safety Instructions.....	8
Pre-Assembly Checklist.....	9
Space Requirements.....	10

### **Chapter 3: Product Overview**

Treadmill Overview.....	15
-------------------------	----

### **Chapter 4: Programming & Operation**

Heart Rate Monitoring.....	17
Heart Rate Control.....	18
Program Descriptions.....	19
Console Overview.....	21
Console Navigation.....	23
User Profiles.....	26
Bluetooth Functions.....	27
Advanced Console Functions.....	29

### **Chapter 5: Care & Maintenance**

Care & Maintenance.....	35
Cleaning the Equipment.....	35
Running Belt Alignment.....	36
Tensioning the Running Belt.....	37
Treadmill Lubrication.....	37
Leveling the Treadmill.....	37
Other Scheduled Preventive Maintenance.....	38
Long Term Storage.....	38

### **Chapter 6: Customer Service**

Contacting Service.....	39
Contacting Sales.....	39
Reporting Freight Claims or Parts Damage.....	40

### **Chapter 7: Additional Information**

Troubleshooting Guide.....	41
Product Specifications.....	47
Warranty Registration.....	49



# CHAPTER 1: SAFETY INSTRUCTIONS

## IMPORTANT SAFETY INSTRUCTIONS SAVE THESE SAFETY INSTRUCTIONS

This equipment is intended for a commercial or institutional setting. This owner's manual should be accessible to all personal trainers, faculty, and members.

### **WARNING:**

ALL EXERCISERS MUST READ ALL INSTRUCTIONS BEFORE USING THE EQUIPMENT.

### **WARNING:**

Heart rate monitoring systems may be inaccurate for some individuals. Over-exercising may result in serious injury or death. If you feel faint, stop exercising immediately.

### **WARNING:**

Equipment should be immediately taken out of use if it fails to work properly or when a warning is presented electronically.

TRUE STRONGLY recommends seeing a physician for a complete medical exam before undertaking an exercise program, particularly if the user has a family history of high blood pressure or heart disease, is over the age of 45, smokes, has high cholesterol, is obese or has not exercised regularly in the past year. Additionally, TRUE recommends consulting a fitness professional on the correct use of this product. If at any time while exercising the user experiences faintness, dizziness, pain or shortness of breath, he or she must stop immediately.

### **WARNING:**

To reduce the risk of electrical shock, always unplug this TRUE product before cleaning or attempting any maintenance activity. Do not handle the plug with wet hands.

### **WARNING:**

To reduce the risk of burns, fire, electric shock or injury, it is imperative to connect each product to a properly grounded 110V electrical outlet. A risk of electrical shock may result from improper connection of the equipment's grounding conductor. Check with a qualified electrician if you are unsure about proper grounding techniques. Do not modify the plug provided with this product. If it will not fit an electrical outlet, have a proper outlet installed by a qualified electrician. Your TRUE Fitness product must be properly grounded to reduce risk of shock if the equipment malfunctions. Your equipment is equipped with an electrical cord, which includes an equipment grounding conductor and a grounding plug. The plug must be inserted into an outlet that has been properly installed and grounded in accordance with all local codes and ordinances. A temporary adapter cannot be used to connect this plug to a two-pole receptacle in North America. If a properly grounded 15 amp outlet is not available, a qualified electrician must install one.

### **WARNING:**

Do not move the equipment by lifting the console. Do not use the console as a handlebar during a workout.

### **WARNING:**

This product contains chemicals known to the state of California to cause cancer and birth defects or other reproductive harm.

### **WARNING:**

Keep equipment stable on flat ground.

# CHAPTER 1: SAFETY INSTRUCTIONS

## WARNING:

Replace warning labels that may be worn, damaged or missing

## WARNING:

Replace any non-working or damaged components; remove the unit from service until repair is performed.

## WARNING:

To reduce the risk of burns, fire and electric shock or injury to persons, follow these instructions:

- This appliance should never be left unattended when plugged in.
- Do not use any type of extension cord with this product.
- Unplug it from the outlet when not in use and before any servicing.
- Do not operate the equipment while being covered with a blanket, plastic, or anything that insulates or stops airflow.

## WARNING:

Risk of personal injury-crushing hazard when equipment is in operation - Keep feet, hands, and fingers away from moving parts.

## CAUTION:

- Health related injuries may result from incorrect or excessive use of exercise equipment.
- Do not use typing or web surfing features at excessive speeds. Always stabilize yourself by holding a stationary handle when using typing or web surfing features. (Varies by console option)
- Do not use the contact heart rate grips as a handlebar during a workout.
- Any changes or modifications to this equipment could void the product warranty.
- To disconnect, turn power OFF at the ON/OFF switch if applicable, then remove plug from electrical outlet.
- Never operate a TRUE product if it has a damaged power cord or electrical plug, or if it has been dropped, damaged, or even partially immersed in water. Contact TRUE Customer Service for a replacement.
- Use a TRUE AC power cord or AC/DC adapter only.  
*\*Note the plug configuration for the power adapter may vary by country.*
- Position this product so the power cord plug is accessible to the user.
- Keep the power cord away from heated surfaces. Do not pull the equipment by the power cord or use the cord as a handle. Do not run the power cord along the side or under the equipment.
- If the electrical supply cord is damaged it must be replaced by the manufacturer, an authorized service agent, or a similarly qualified person to avoid a hazard.
- Do not use this product in areas where aerosol spray products are being used or where oxygen is being administered. Such substances create the danger of combustion and explosion.
- Always follow the console instructions for proper operation.
- Close supervision is necessary when used near children under the age of 15, or disabled persons.
- Do not use this product outdoors, near water, while wet, or in areas of high humidity including extreme temperature changes.
- Never operate a TRUE product with the air openings blocked. Keep air openings free of lint, hair or any obstructing material.
- Never insert objects into any openings in this product. If an object should drop inside, turn off the power, unplug the power cord from the outlet and carefully retrieve it. If the item cannot be reached, contact TRUE Customer Service.
- Never place liquids of any type directly on the unit except in the accessory tray or bottle holders. Containers with lids are recommended.

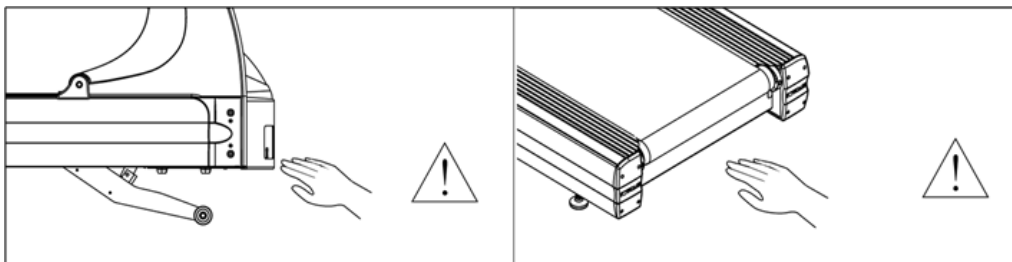
# CHAPTER 1: SAFETY INSTRUCTIONS

## ⚠ CAUTION (CONTINUED):

- Wear shoes with rubber or high traction soles. Do not use shoes with heels, leather soles, cleats or spikes. Make sure no stones are embedded in the soles. Do not use this product in bare feet. Keep all loose clothing, shoelaces and towels away from moving parts.
- Do not reach into or underneath the unit, or tip it on its side during operation.
- Use correct ergonomic positioning while running on equipment.
- Do not allow animals on or near the equipment while in operation.
- Use the side handrails whenever additional stability is required. In case of emergency, such as tripping, the side handrails should be grabbed and the user should place his/her feet on the side platforms. The front handle bars should be used to grasp the heart rate sensors or to rest the hand on while operating the activity zone keys, but not for stability, emergency, or continuous use.
- Do not exceed maximum user weight of 350 lbs (159 kg).
- Do not use if you have a cold or fever.
- When using this exercise machine, basic precautions should always be followed.
- Use this equipment only for its intended use as described in this manual.
- Do not use attachments not recommended by the manufacturer.
- Allow only trained personnel to service this equipment.
- Avoid the possibility of bystanders being struck or caught between moving parts by making sure that they are out of reach of the equipment while it is in motion.
- This appliance can be used by children aged from 8 years and above and persons with reduced physical, sensory or mental capabilities or lack of experience and knowledge if they have been given supervision or instruction concerning use of the appliance in a safe way and understand the hazards involved.
- Children shall not play with the appliance.
- Cleaning and user maintenance shall not be made by children without supervision.
- Allow only one person at a time on the equipment while it's operating.
- It is the sole responsibility of the owner/operator to ensure regular and scheduled maintenance is performed.
- To avoid injury stand on the side rails before starting the equipment.
- Avoid exiting equipment while leaving the tread belt in motion.
- Never walk or jog backwards on the equipment.
- Do not change the incline of the equipment by placing objects under it.
- To avoid serious injury, do not touch the incline rack while the equipment is in use.
- To avoid serious injury, do not touch the belt while the equipment is in use.
- Do not operate under blanket or pillow. Excessive heating can occur and cause fire, electric shock, or injury to persons.
- See Grounding Instructions.
- On the machine power switch, the "1" means that the machine power is switched "ON" and the "0" means the machine power is switched "OFF".

## ⚠ CAUTION

- To avoid serious injury, do not touch the incline rack while the treadmill is in use.
- To avoid serious injury, do not touch the belt while the treadmill is in use.

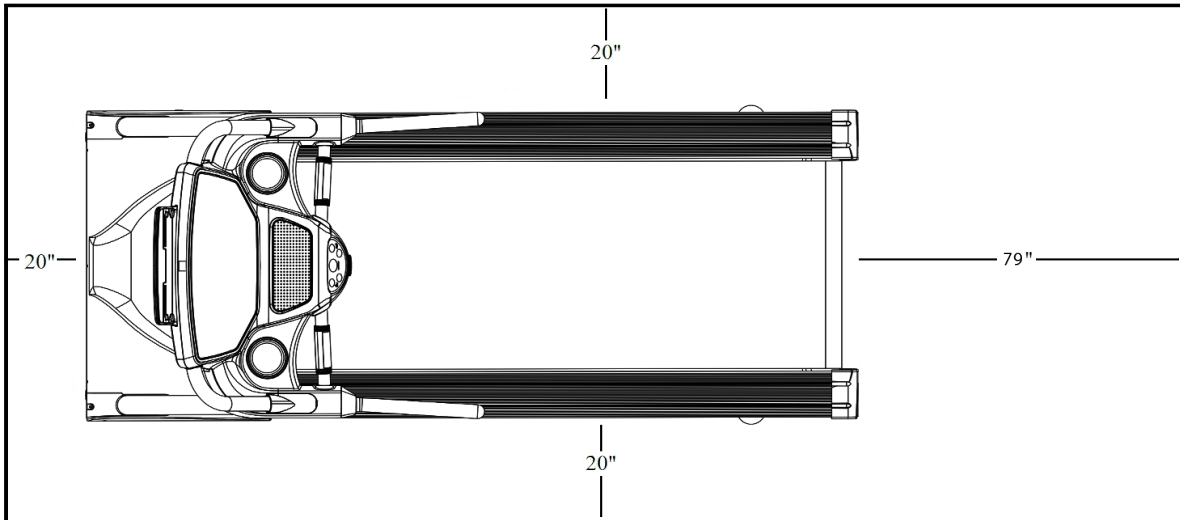


# CHAPTER 1: SAFETY INSTRUCTIONS

## SPACE REQUIREMENTS:

TRUE's recommendation is to leave a minimum of 20" (0.5m) on each side of the treadmill and a 79" (2 m) safety zone at the rear of the treadmill. (See Fig 1)

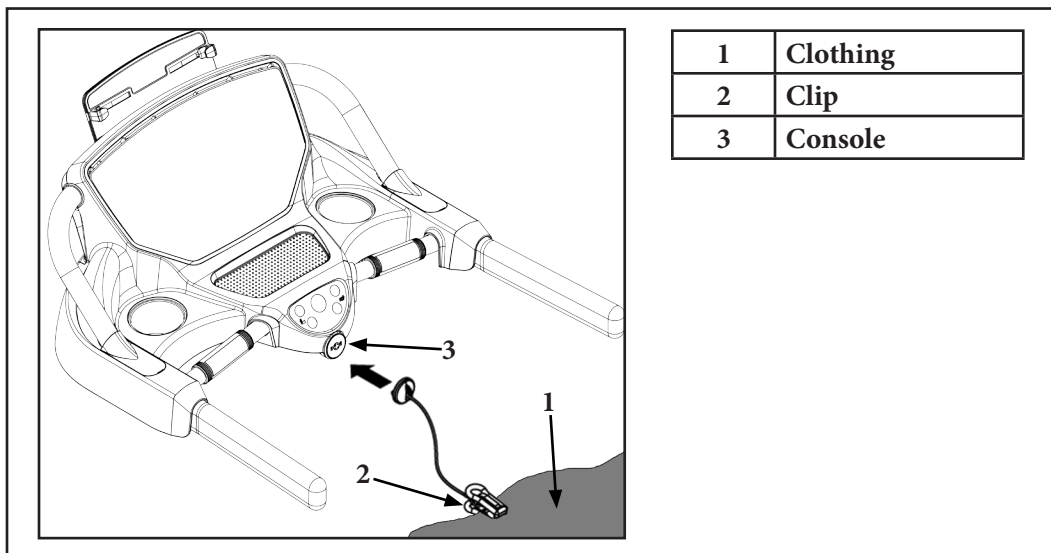
Fig. 1



## USE OF SAFETY KEY (E-STOP):

- Attach the safety clip to your clothing before each workout and when treadmill is in use. (See Fig. 2)
- Attach the magnetic key to the treadmill.

Fig. 2



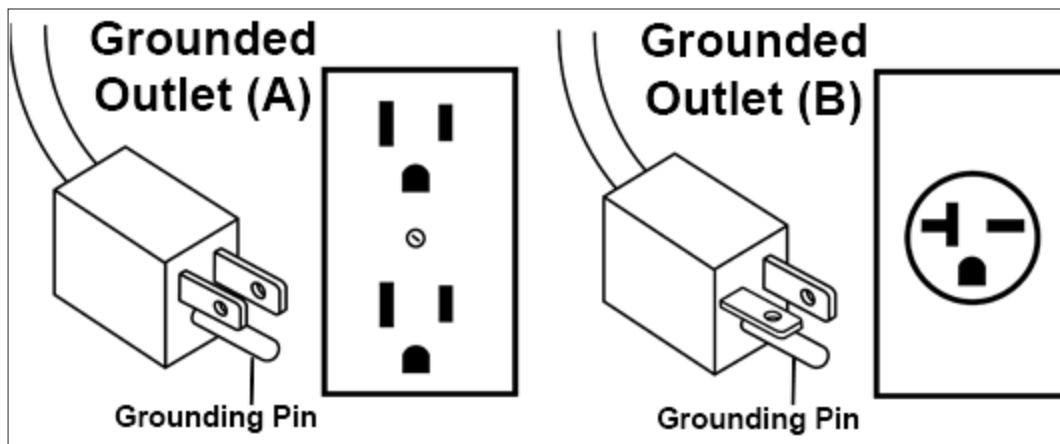
# CHAPTER 1: SAFETY INSTRUCTIONS

## GROUNDING INSTRUCTIONS:

This product must be grounded, if it should malfunction or breakdown, grounding provides a path of least resistance for electric current to reduce the risk of electric shock. This product is equipped with a cord having an equipment-grounding conductor and a grounding plug. The plug must be plugged into an appropriate outlet that is properly installed and grounded in accordance with all local codes and ordinances.

### DANGER:

- Improper connection of the equipment-grounding conductor can result in a risk of electric shock.
- Check with a qualified electrician or serviceman if you are in doubt as to whether the product is properly grounded. Do not modify the plug provided with the product. If it will not fit the outlet, have a proper outlet installed by a qualified electrician.
- Do not remove the motor cover or you may risk injury due to electric shock.
- The 120-V model is for use on a nominal 120-V circuit and has a grounding plug that looks like the plug illustrated in figure A. Make sure the product is connected to an outlet having the same configuration as the plug. No adapter should be used with this product.
- The 230-V model is for use on a circuit having a nominal rating more than 120-V and is factory-equipped with a specific electric cord and has a grounding plug that looks like the plug illustrated in figure B. Make sure that the product is connected to an outlet having the same configuration as the plug in Figure B. No adapter should be used with this product. If the product must be reconnected for use on a different type of electric circuit, the reconnection should be made by qualified service personnel.







# CHAPTER 1: SAFETY INSTRUCTIONS

## WARNING DECALS:

### ⚠ WARNING:

Replace warning labels that may be worn, damaged or missing.

To replace any worn or missing warning decals contact TRUE FITNESS by visiting [www.truefitness.com](http://www.truefitness.com) or contact customer service at 800-883-8783.

**⚠ WARNING!** Read and understand all instructions and warnings prior to use.

**AVERTISSEMENT!** Prenez connaissance du manuel d'instruction et consigne de sécurité avant l'utilisation.

<p><b>WARNING:</b> REMOVE SAFETY KEY WHEN NOT IN USE AND STORE OUT OF REACH OF CHILDREN.</p> <p><b>CAUTION:</b> RISK OF INJURY TO PERSONS – TO AVOID INJURY, USE EXTREME CAUTION WHEN STEPPING ONTO OR OFF OF A MOVING BELT.</p>	<p><b>CAUTION – TO REDUCE THE RISK OF INJURY FROM MOVING PARTS – UNPLUG BEFORE SERVICING.</b></p> <p><b>WARNING – TO REDUCE THE RISK OF ELECTRIC SHOCK – UNPLUG BEFORE CLEANING OR SERVICING.</b></p>	<ul style="list-style-type: none"><li>• Death or serious injury can result if caution is not used while exercising.</li><li>• Une imprudence lors de l'utilisation de cet appareil pourrait être dangereuse, voire mortelle.</li><li>• Care should be used when mounting or dismounting machine.</li><li>• Faites attention lorsque vous montez sur la machine ou en descendez.</li></ul>	<ul style="list-style-type: none"><li>• Keep children away at all times.</li><li>• Tenez les enfants éloignés de cet équipement à tout moment.</li><li>• Heart rate display may be inaccurate and should be used for reference only.</li><li>• Stop exercise if you feel faint, dizzy, or experience pain.</li><li>• Obtain medical exam before beginning any exercise program.</li><li>• Refer to Owner's Manual for additional warnings and safety information.</li></ul>
--	---	---	---

- Straddle treadmill before starting.
- Read, understand, and test the emergency stop procedures before use.
- ALWAYS ATTACH THE EMERGENCY STOP SAFETY CLIP TO CLOTHING PRIOR TO USE!
- Prior to use, inspect safety clip cord to ensure it is free of tangles or knots, and that red magnetic key will easily disengage from machine.

**TRUE**  
TRUE FITNESS TECHNOLOGY, INC.  
ST LOUIS, MISSOURI 63366

Model No.  
**TPS800-17**

Serial-No./Date Code  
**16-TPS800001A**

Rating: 120V, 50/60Hz, 15A

MADE IN TAIWAN

**ETL** LISTED US  
CONFORMS TO ANSI/UL STD. 1647  
**Intertek** CERTIFIED TO CAN/CSA STD. C22.2 NO.68  
3135202  
Intertek Testing Services Taiwan Ltd.

**FC**

## COMPLIANCES:

This equipment complies with all applicable codes and regulations. For a complete list of compliances, please visit [www.truefitness.com](http://www.truefitness.com)

# CHAPTER 2: ASSEMBLY GUIDE

## IMPORTANT SAFETY INSTRUCTIONS

- Read and understand all instructions and warnings prior to use.
- Obtain a medical exam before beginning any exercise program. If at any time during exercise you feel faint, dizzy, or experience pain, stop and consult your physician.
- Obtain proper instruction prior to use.
- This treadmill is intended for in-home use only.
- Inspect the treadmill for incorrect, worn, or loose components and do not use until corrected, replaced, or tightened prior to use.
- Do not wear loose or dangling clothing while using the treadmill.
- Care should be used when mounting or dismounting the treadmill.
- Read, understand, and test the emergency stop procedures before use.
- Disconnect all power before servicing the treadmill.
- Do not exceed maximum user weight of 350 lbs.
- Keep the top side of the moving surface clean and dry.
- Keep children and animals away.
- Use caution when moving and assembling treadmill.
- All exercise equipment is potentially hazardous. If attention is not paid to the conditions of equipment usage, death, or serious injury could occur.
- Save these instructions.

### **Basic Guidelines for Setting up the Treadmill:**

After removing the treadmill from the packaging, place your treadmill on a clean, level surface. Make sure the electrical cord easily reaches a grounded three-pronged outlet and has enough slack to allow the deck to incline without tightening the cord. Do not allow the treadmill assembly to rest on the cord.

### **Important Electrical Requirements – 120V:**

Your TRUE treadmill requires a dedicated 120 volt, alternating current (AC), 20 amp grounded outlet circuit. This means nothing else can be plugged into the same circuit. Most power circuits are rated for this 120V AC 20 amp requirement, but you must ensure the treadmill does not share the circuit with anything else.

### **DANGER:**

#### **Do not use an extension cord or ungrounded outlet:**

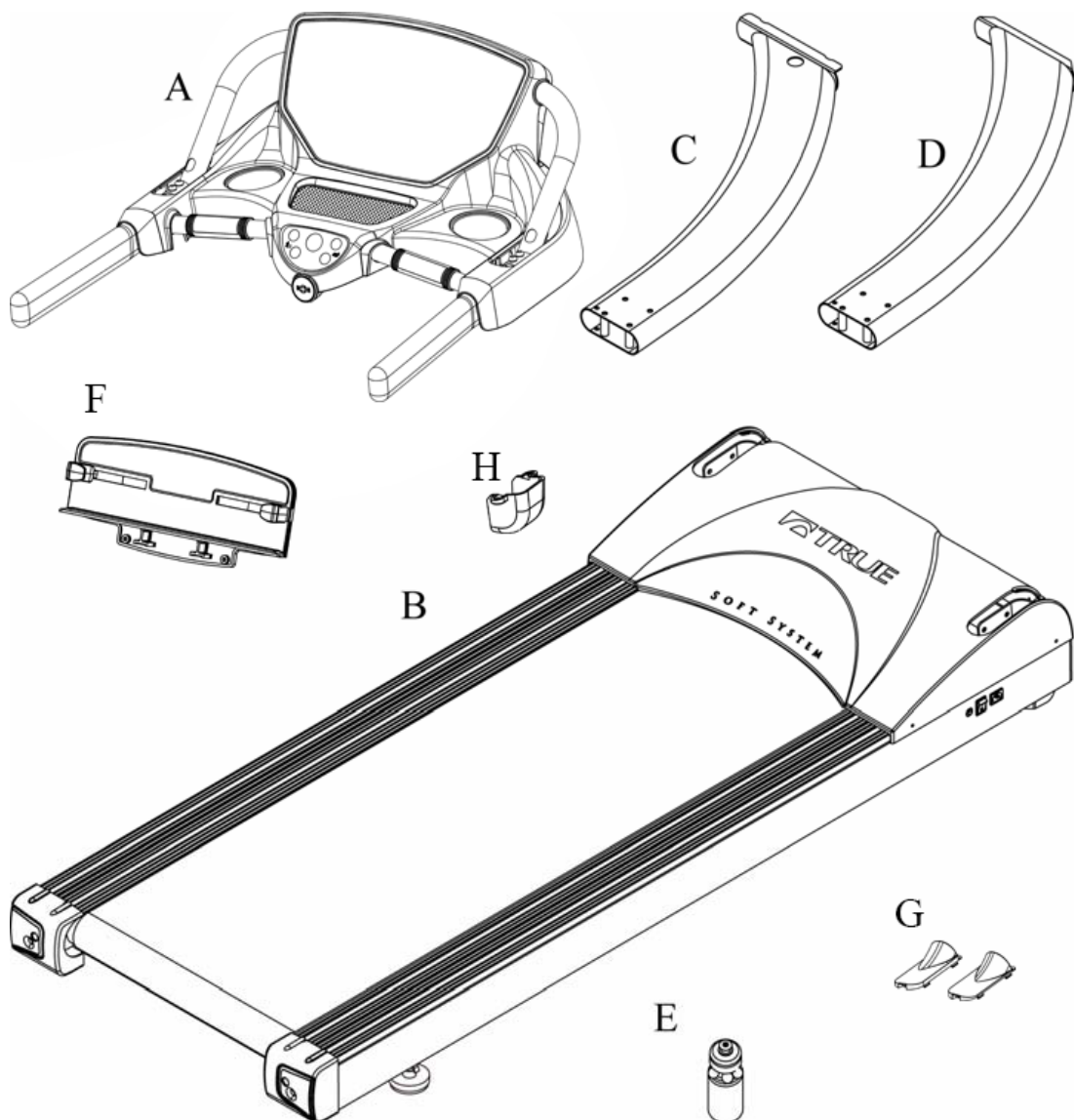
The ground helps prevent electrical damage to your treadmill and enhances your safety by helping to prevent shock. Check with a qualified electrician or serviceman if you are in doubt as to whether the treadmill is properly grounded. Do not modify the plug provided with the treadmill if it will not fit the outlet. Have a proper outlet installed by a qualified electrician.



# CHAPTER 2: ASSEMBLY GUIDE

## PRE-ASSEMBLY CHECKLIST:

Item	Description	QTY:
A	Console Assembly	1
B	Base	1
C	Pedestal Upright (L)	1
D	Pedestal Upright (R)	1
E	Sport Bottle	1
F	Tablet Holder	1
G	Bolt Cover	2
H	Cable Cover	1
--	Hardware Pack	1

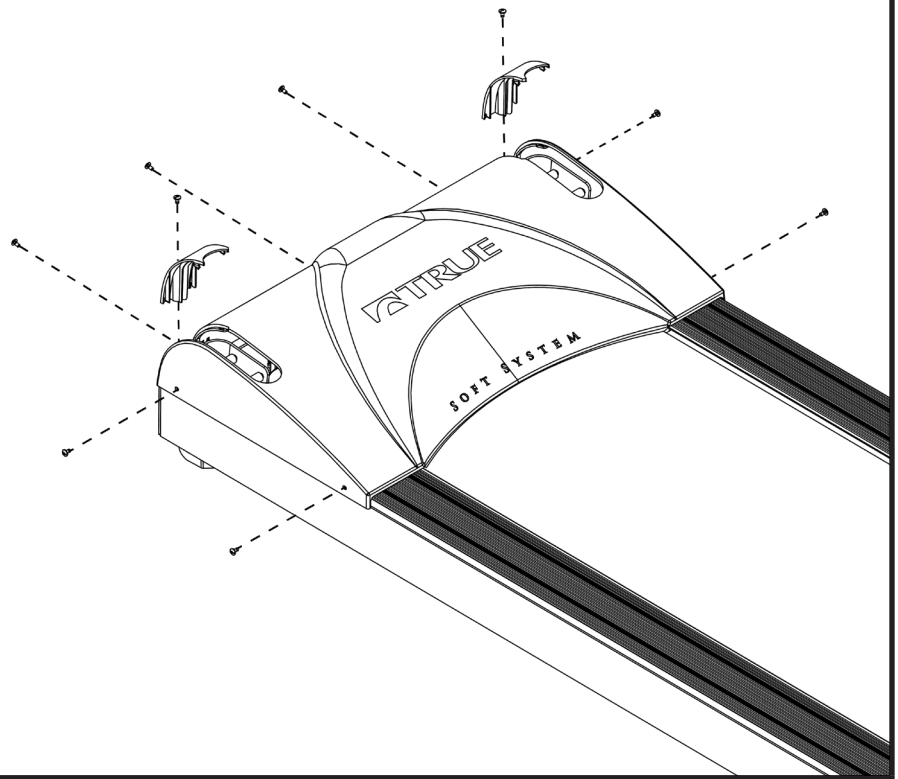


## CHAPTER 2: ASSEMBLY GUIDE

### TREADMILL ASSEMBLY STEPS:

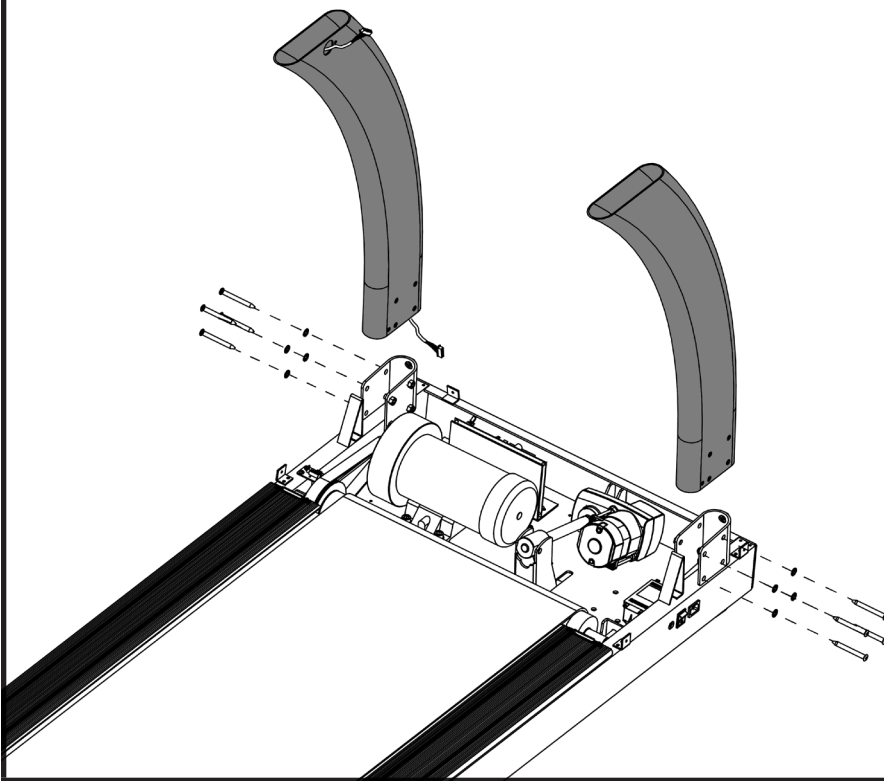
#### STEP 1 Remove Motor Cover:

- a) Remove the 9 screws securing the motor cover to the treadmill frame.
- b) Remove the motor cover and set to the side.



#### STEP 2 Install Pedestal Uprights:

- a) Slide the left and right pedestal uprights into place.
- \*DO NOT PINCH CABLES**
- b) Install 4 bolts and washers into each pedestal, but do not fully tighten.

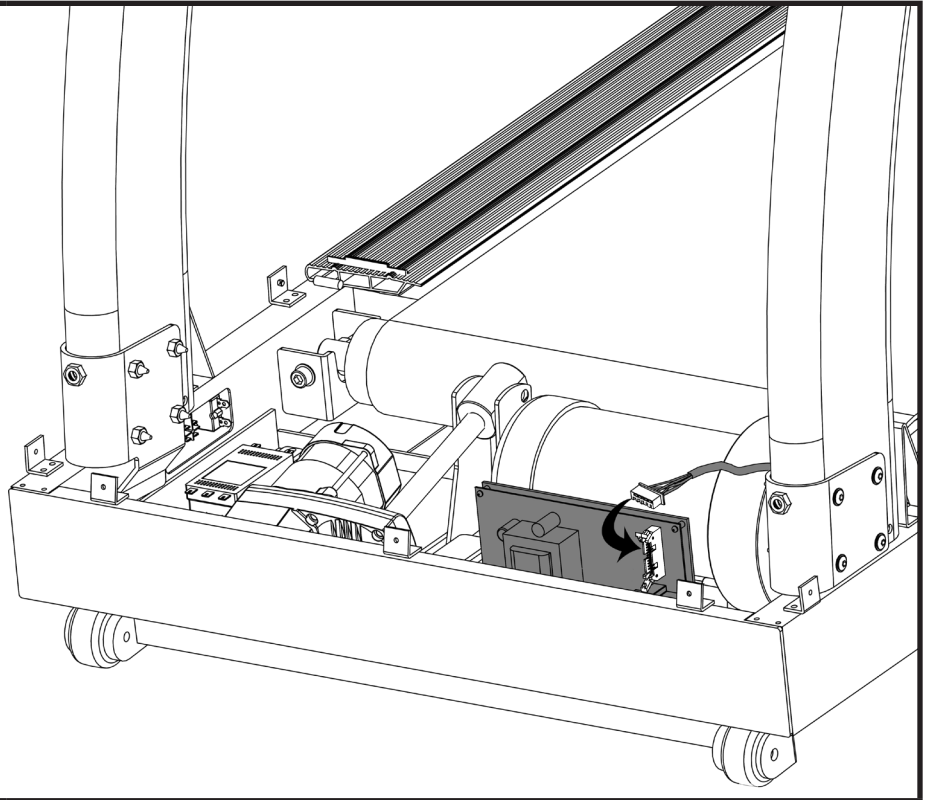


## CHAPTER 2: ASSEMBLY GUIDE

### TREADMILL ASSEMBLY STEPS (CONTINUED):

#### STEP 3 Lower Data Cable:

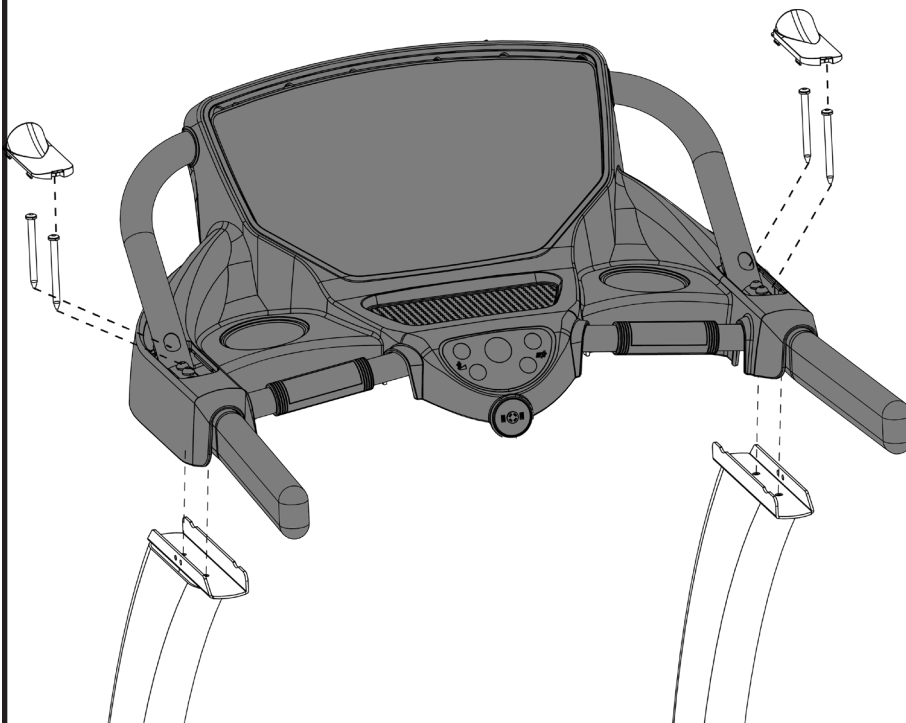
a) Connect the data cable coming from the bottom of the left pedestal upright to the lower control board as shown.



#### STEP 4 Console Assembly:

a) Place the console assembly on the pedestal uprights and secure with 4 bolts.

b) Attach the left and right bolt covers by snapping them into place.

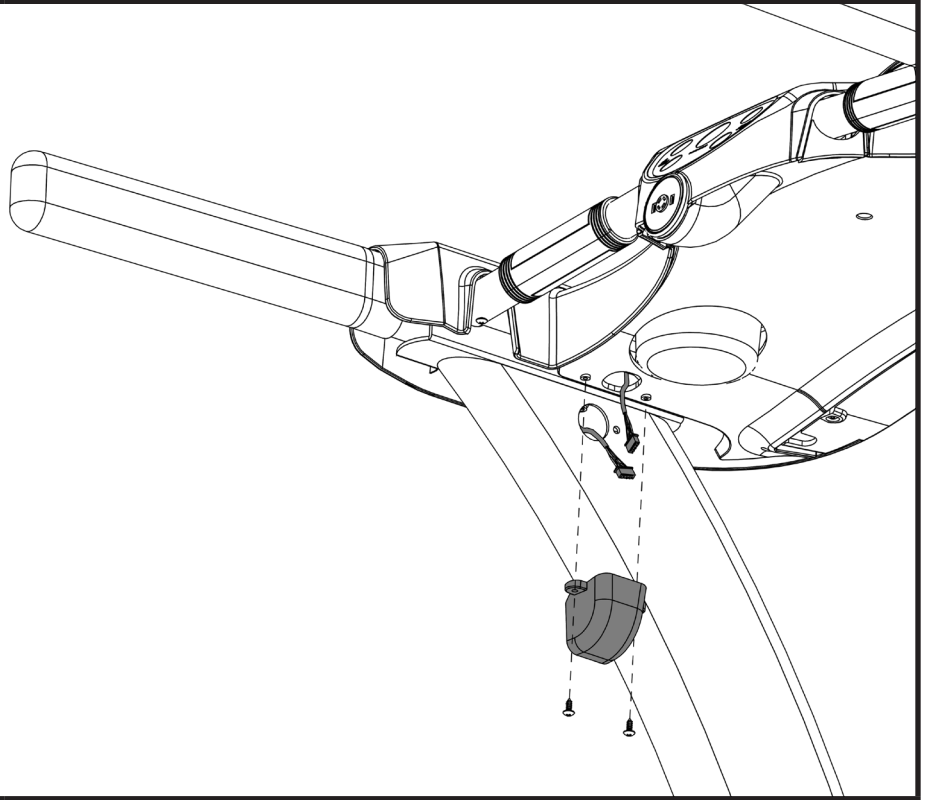


## CHAPTER 2: ASSEMBLY GUIDE

### TREADMILL ASSEMBLY STEPS (CONTINUED):

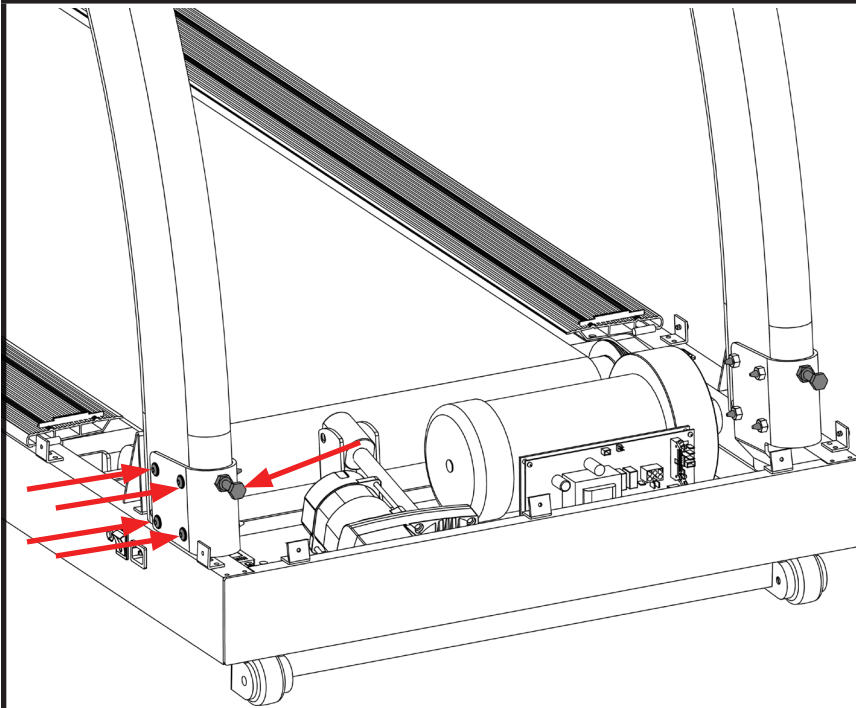
#### STEP 5 Data Cable & Cable Cover:

- a) Connect the lower control wire coming out of left upright with the upper control wire attached in the console.
- b) Install the wire cover with 2 bolts to the upper console cover.



#### STEP 6 Secure Pedestal Uprights:

- a) Fully tighten the 8 bolts from Step 2.
- b) Tighten the hex head bolt on the front of each pedestal upright and then tighten the nut.

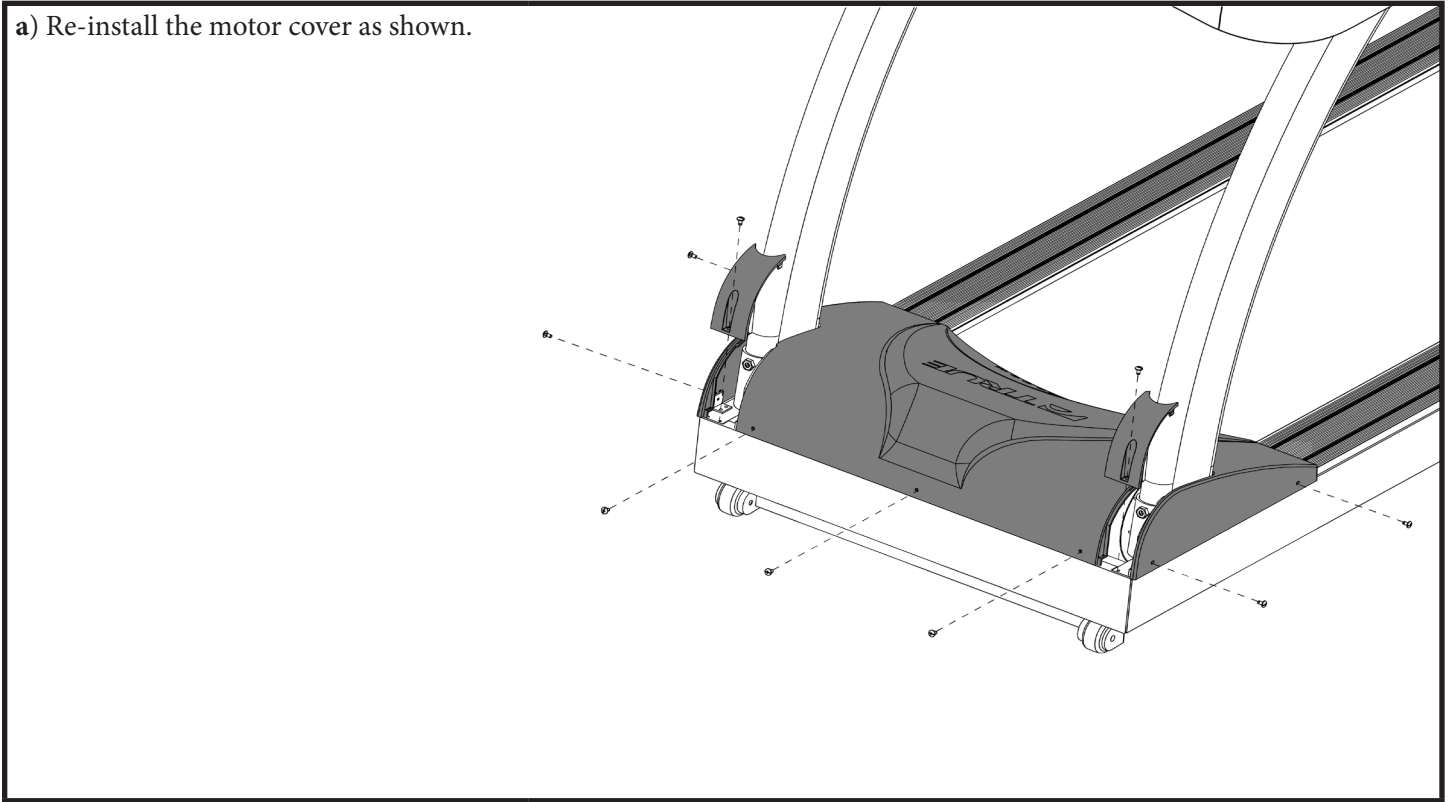


## CHAPTER 2: ASSEMBLY GUIDE

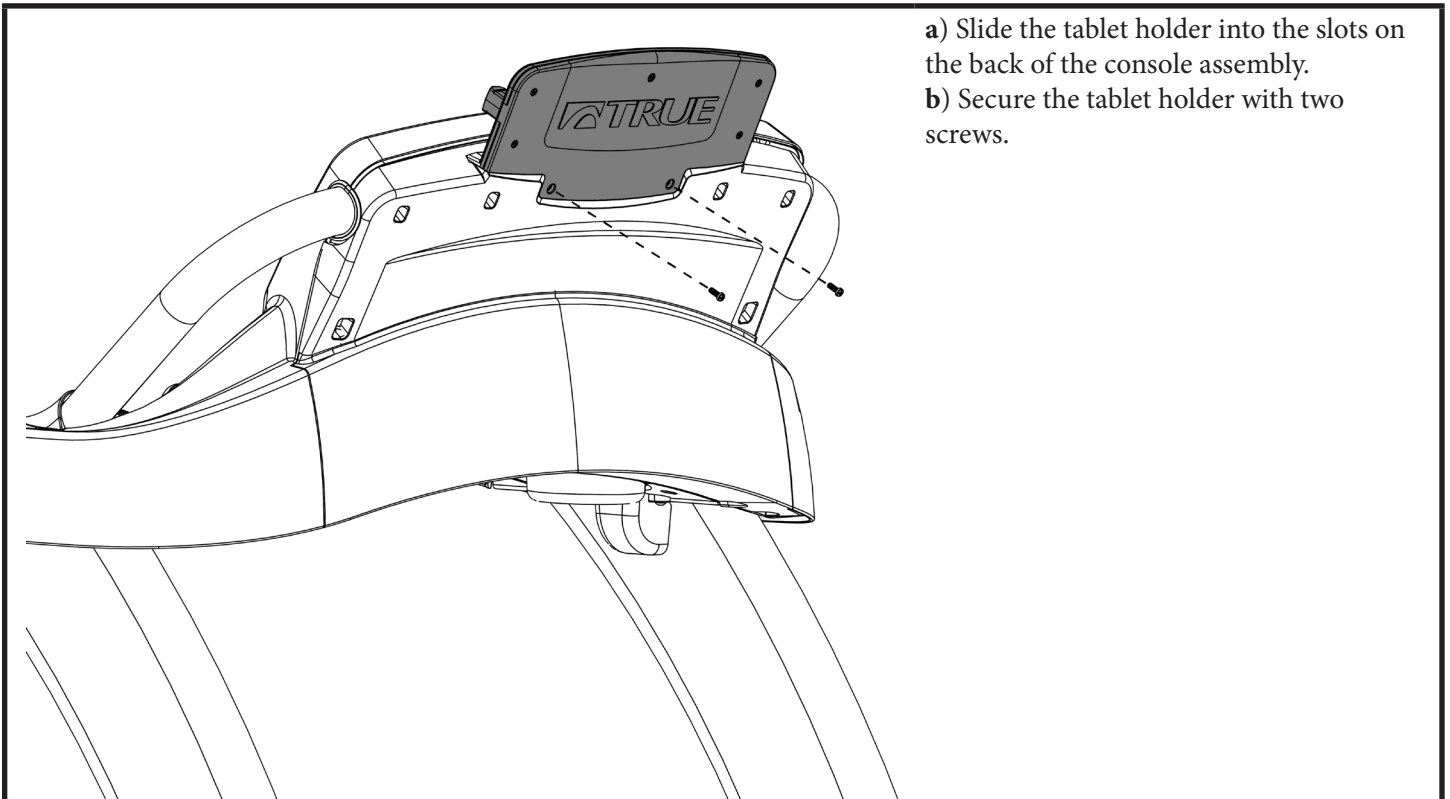
### TREADMILL ASSEMBLY STEPS (CONTINUED):

#### **STEP 7 Re-Install Motor Cover:**

a) Re-install the motor cover as shown.



#### **STEP 8 Tablet Holder:**



a) Slide the tablet holder into the slots on the back of the console assembly.

b) Secure the tablet holder with two screws.

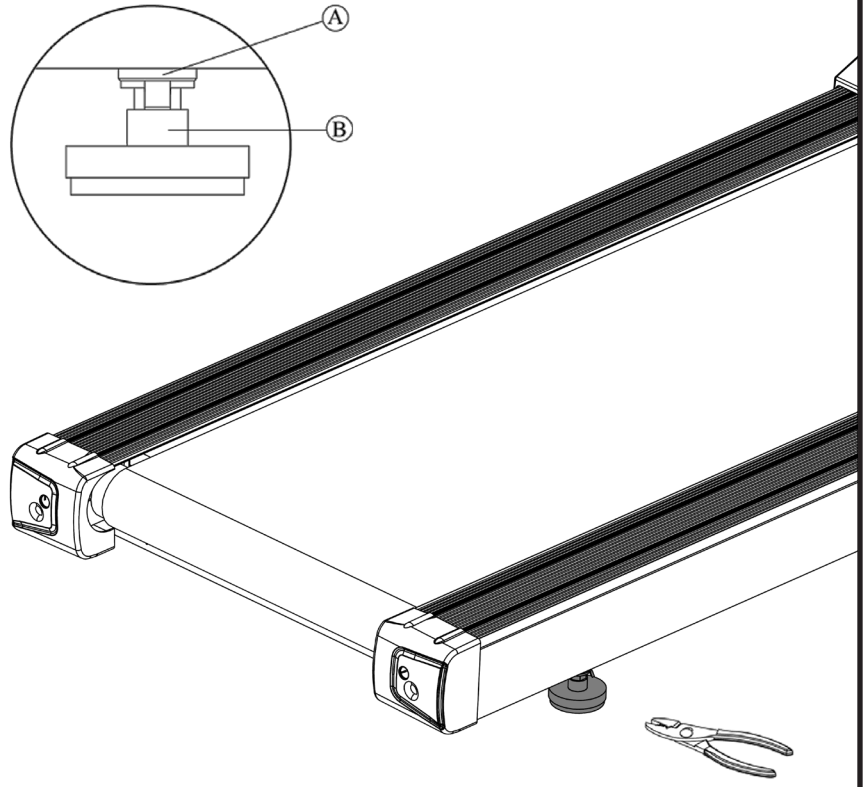
## CHAPTER 2: ASSEMBLY GUIDE

### TREADMILL ASSEMBLY STEPS (CONTINUED):

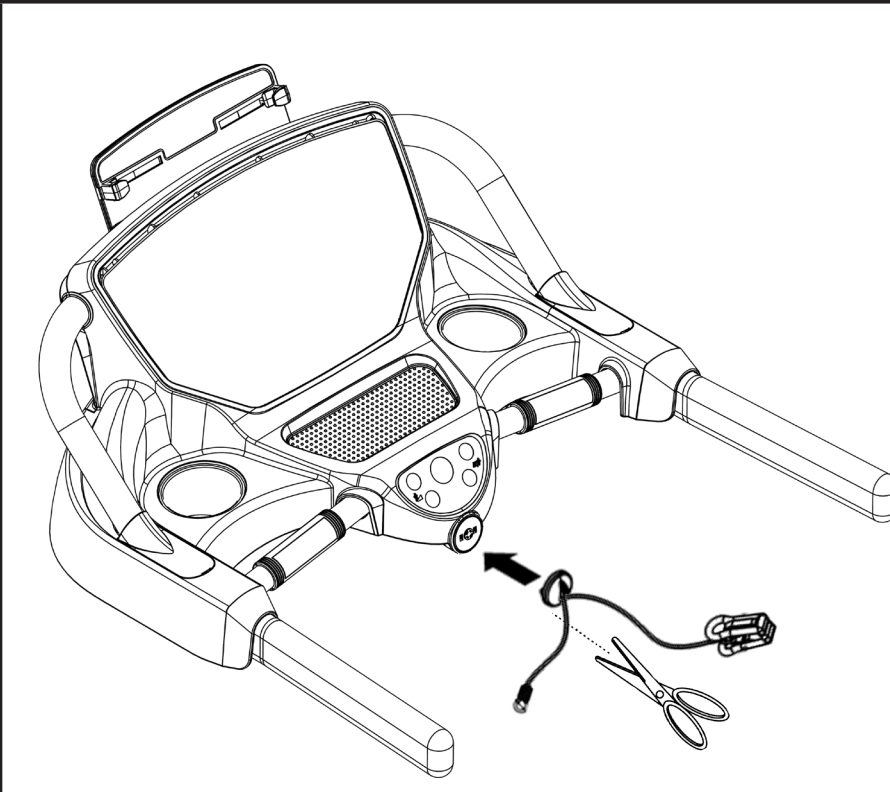
#### STEP 9 Rear Foot Leveling:

- Ensure treadmill incline rack wheels and rear feet are resting on the floor and not on cardboard, packaging, etc.
- Using the pliers to loosen the wing-nut (A) counter-clockwise.
- Using a level or estimating by sight, turn section (B) of foot counter-clockwise to a proper height.
- Tighten wing-nut (A) to secure (B) section.

**NOTE:** Same adjustment applies to both sides.



#### STEP 10 Safety Key:



- Remove packaged Safety key from hardware kit.
- Cut off the shorter piece of string as shown.
- Attach Safety Key magnet to front of console as shown below.
- Attach clip to clothing at the beginning of any workout.

**NOTE:** Read the entire Owner's Manual before attempting any workout.

**NOTE:** Remove Safety Key from treadmill after each use.



# CHAPTER 3: PRODUCT OVERVIEW

## TREADMILL OVERVIEW:



# CHAPTER 3: PRODUCT OVERVIEW

## TREADMILL OVERVIEW (CONTINUED):

### Console Assembly:

The console allows the user to set up a workout program and control the treadmill during a workout

\*For console overview and operation instructions refer to chapter 4.

### Contact Heart Rate Pads:

Allows the user to check their heart rate without wearing a wireless chest strap.

\*For increased safety and accuracy this feature should only be used when the belt speed is below 4 mph.

### Safety (E-Stop) Key:

A tethered safety device designed to attach to both the user and the treadmill console. Removal of the key from the console will stop belt motion to prevent injury in an emergency.

\*The safety key must be in place on the treadmill, and should be attached to the user's clothing. The treadmill will not operate if the safety key is not attached to the treadmill.

### Belt:

The moving surface of the treadmill on which the user walks or runs.

### Straddle Covers:

Stationary covers on either side of the belt, which allows the user to safely straddle the belt during startup or in the event of an emergency.

### Belt Adjustment Bolts:

An adjustment system that allows the users to adjust the belt tracking and tension as needed.

### On/Off Switch:

Allows users or faculty to turn the power on or off to the treadmill.

### Circuit Breaker:

A safety device designed to protect the treadmill from excessive electrical current.

### Power Cord:

Delivers power from the wall outlet to the treadmill.

### Leveling Feet:

An adjustable system used to aid in the leveling the treadmill.

### Adjustable Soft Select:

Allows users to "personalize" the walking surface from soft to firm or anywhere in between.



## CHAPTER 4: PROGRAMMING & OPERATION

### ⚠CAUTION:

The safety key must be in place on the treadmill console, and should be attached to the user's clothing. The treadmill will not operate if the safety key is not attached to the console.

### HEART RATE MONITORING:

This treadmill can monitor a user's heart rate using a Polar® 5 kHz compatible chest strap, a Bluetooth heart rate transmitter or the metal grips on the hand rails (called contact heart rate or CHR pads). Bluetooth transmitters and chest straps transmit the user's heart rate to the treadmill via radio, and the CHR pads connect to a special computer circuit to extract the user's heart rate.

#### Chest Strap & Bluetooth Heart Rate Monitoring:

Although this treadmill functions fine without using the heart rate monitoring feature, this kind of monitoring gives valuable feedback on the user's effort level. Using chest strap or Bluetooth monitoring also allows users to use Heart Rate Control, the most advanced exercise control system available.

When users wear a Polar® compatible transmitter strap or a Bluetooth transmitter, the treadmill will display the user's heart rate as a digital beats-per-minute (bpm) readout.

A chest strap should be worn directly against the user's skin, about 1-2 inches below the pectoral muscles/breast line. Women should be careful to place the transmitter below their bra line.

\*Bluetooth transmitters should be worn in accordance with the manufacturer's documentation. Initially the transmission signal for heart rate may be erratic or non-existent. Some moisture is necessary between the strap and the user's skin for proper transmission. Sweat from exercise works best, but ordinary tap water may be used prior to the workout if desired.



#### A Note on Chest Strap Heart Rate Monitoring:

The chest strap produces a radio signal that the treadmill reads and registers as the user's heart rate. The accuracy of a reading may be affected when outside interference is present.

#### Contact Heart Rate (CHR):

The CHR system will let the user monitor their heart rate without wearing a chest strap. When using the CHR system users should gently grasp the CHR pads with both hands. Within 30 seconds, the user's heart rate should be displayed as a digital bpm readout (during the first 30 seconds the system is analyzing and locking in the user's heart rate). Users should exercise with smooth body motions and breathe regularly. It is best to avoid talking while using the CHR system, as talking will cause unrepresentative heart rate spikes of 5 to 10 bpm. To ensure an accurate reading, the user's hands should be clean, free of both dirt and hand lotions.

\*For increased safety and accuracy the CHR system should only be used at speeds of 4 mph or lower (CHR readings are less accurate due to large muscle movements above this speed).

#### A Note on CHR Accuracy:

CHR monitoring may be less accurate than chest strap monitoring since the heart rate signals are much stronger at the chest. When using a HRC workout, it is best to use a chest strap because of the stronger and more accurate readings. Do not use the contact heart rate grips as a handlebar during a workout.

### ⚠CAUTION:

Do not use the contact heart rate grips as a handlebar during a workout.

# CHAPTER 4: PROGRAMMING & OPERATION

## HEART RATE CONTROL (HRC):

### Introduction:

You are now the owner of the most sophisticated Heart Rate Control treadmill available. TRUE HRC is unique and patented. It accommodates users from rehabilitation to world class athletes, and all those in between. TRUE HRC allows users to do a completely hands free heart rate controlled workout using speed, incline or both. By training at a specific target heart rate, users can exercise at a more efficient cardiovascular level.

The TRUE HRC system is unique because users must enter the key parameters of the workout; target heart rate, maximum speed, maximum incline, and time, prior to beginning the HRC workout. As users approach their target heart rate, the treadmill's computer automatically takes over and changes the speed and/or incline automatically to keep users near their target heart rate. This allows for a completely "hands free" workout.

\*A Bluetooth or Polar® compatible heart rate monitoring chest strap should be worn during HRC workouts. For increased safety and accuracy, contact heart rate monitoring is not recommended for HRC workouts.

### Target Heart Rate:

TRUE's heart rate control (HRC) workouts let the treadmill monitor relative exercise intensity by way of the user's heart rate, then automatically adjust the speed and incline to keep the user at their target heart rate and thus their desired exercise intensity. Heart rate is a good measure of the body's exercise stress level. It reflects differences in physical condition, fatigue, the comfort of the workout environment, even diet and emotional state. Users should compare their heart rate with how they feel to ensure safety and comfort.

### Consult a physician to determine target heart rate:

Using heart rate to control a workout takes the guesswork out of the workout settings. Consult a physician before using heart rate controlled workouts for advice on selecting a target heart rate range. Also, it is important to use the treadmill for several workouts in the manual mode while monitoring heart rate. Users should compare their heart rate with how they feel to ensure safety and comfort. After users have spent some time learning how their heart responds to different levels of speed and incline, they will have a better understanding of how to select the maximum speed and maximum incline required for reaching their target heart rate.

### Warm Up:

At the beginning of an HRC workout, the treadmill is in full Manual Control mode. Users should gradually increase the workout intensity to slowly raise their heart rate to within 10 beats per minute (bpm) of their target heart rate. The treadmill will operate as if in manual mode during the warm up stage. Users control both speed and incline. The user may only increase speed and incline to the present maximum values entered. It is important that the user starts at a low level of perceived exertion and gradually increase the workout intensity over several minutes until they approach their target heart rate. This allows the body to adapt to the workout. Increasing the workout intensity gradually will allow the user to enter the heart rate control stage without overshooting their target, keeping their heart rate within a few bpm of their target.

\*Warming up too fast may cause the user to overshoot their target. If this occurs it may take several minutes before the computer software can control their heart rate. Users may overshoot and undershoot for several minutes until control is achieved.

### Heart Rate Control Stage:

The treadmill takes control of speed and incline, keeping the user's heart rate within a few bpm of their target. When using the Interval HRC Workout, the treadmill alternates between work and rest intervals.

### Cool-Down:

At the end of the workout time or distance, the treadmill reduces the workout intensity by half and goes back into Manual Control mode, where users directly control their cool-down.

# CHAPTER 4: PROGRAMMING & OPERATION

## PROGRAM DESCRIPTIONS:

### Quick Start:

A workout in which the user controls all settings. The workout continues until it is ended by the user.

### Manual:

Users enter their weight, workout time or distance. The user controls both the SPEED and INCLINE of the treadmill throughout the workout.

### Hill Intervals:

Hill Intervals are in 2-minute segments with the speed remaining constant. Speed changes are permanent; incline changes affect the current 2-minute segment only.

### Rolling Hills:

A series of gradually increasing and decreasing incline changes that simulate rolling hills

### Single Hill:

Incline increases to a maximum at the mid-point of the workout, then decreases to the finish. Incline changes affect the current segment only. Speed changes are permanent.

### Weight Loss Hills:

2-minute walking interval segments with incline alternating between hills and a nearly flat landscape. Speed changes are permanent; Incline changes affect the current segment only.

### Glute Buster:

A changing incline profile focuses on intense glute muscle use.

### Calorie Goal:

This workout allows users to choose a speed, incline and workout time combination that will achieve their calorie goal.

### Walk and Run Intervals:

Walking then running intervals in 1-minute segments. Incline changes are permanent; speed changes affect the current segment only.

### Speed Intervals:

Zero-incline speed intervals in 1-minute segments. Any incline changes are permanent while speed changes during the workout affect the current segment only.

### Speed Ramp:

Speed increases to a maximum at the mid-point of the workout, then decreases to the finish. Speed changes affect the current segment only. Incline changes are permanent.

### Leg Shaper:

A workout with speed changes to work the leg muscles with added intensity.

# CHAPTER 4: PROGRAMMING & OPERATION

## PROGRAM DESCRIPTIONS (CONTINUED):

### Cardio Challenge:

Speed and incline increase to a maximum at the mid-point of the workout, then decrease to the finish. Incline and speed changes affect the current segment only.

### Target HRC:

Users choose their target heart rate. The treadmill begins in MANUAL control – The user should gradually increase the workout intensity until heart rate is within 10 bpm of their target. At this point, the treadmill takes over to control speed and incline to maintain heart rate within a few beats of the user's target.

### Weight Loss HRC:

Based on age, this is a heart rate controlled workout at 65% of the user's maximum heart rate. This creates efficient fat burning without overtraining. The treadmill begins in MANUAL control – The user should gradually increase the workout intensity until their heart rate is within 10 bpm of their target. At this point, the treadmill takes over to control speed and incline to maintain heart rate within a few beats of the user's target.

### Aerobic HRC:

Based on age, this is a heart rate controlled workout at 80% of the user's maximum heart rate. This keeps the user in the optimum aerobic training range to improve cardio fitness. The treadmill begins in MANUAL control - gradually increase the workout intensity until the user's heart rate is within 10 bpm of their target. At this point, the treadmill takes over to control speed and incline to maintain heart rate within a few beats of the user's target.

### Intervals HRC:

Intervals of work and rest determined by target heart rate. The treadmill begins in MANUAL control – Users should gradually increase their workout intensity until their heart rate is within 10 bpm of their target. At this point, the treadmill takes over to control speed and incline to maintain the user's HR within a few beats of their target. The rest segment will reduce to 65% intensity of work segment.

### 5K Workout:

A popular distance run. Users choose their speed and the workout will end at 5 kilometers (3.1 miles).

### 10K Workout:

A challenging distance run. Users choose their speed and the workout will end at 10 kilometers (6.2 miles).

### Half Marathon

A very challenging distance run. Users choose their speed and the workout will end at 21 kilometers (13.1 miles).

### Gerkin Fitness Test:

A fitness test uses heart rate to estimate the user's VO2 max. The test increases speed and incline gradually every minute and ends at the point where the user's heart rate reaches 85% of the maximum for their age.

### Custom Ultra:

This completely customizable workout setup allows both speed and incline control in up to 30 segments.

### Saved Workouts:

Access to previously saved manual workouts.

# CHAPTER 4: PROGRAMMING & OPERATION

## CONSOLE OVERVIEW:



# CHAPTER 4: PROGRAMMING & OPERATION

## CONSOLE OVERVIEW (CONTINUED):

### Touchscreen:

Used to monitor and/or control workouts and for feature navigation.

### Incline Keys:

Manually increases or decreases the incline of the treadmill.

### USB Port:

Allows users to export workout data to an external USB drive, charge a mobile device, or update the console software.

### Numeric Keypad:

A small panel of keys on the console that allow the user to quickly enter numeric data.

### Headphone Jack:

Standard 3.5mm audio jack used to connect headphones to the console during media playback.

### Warning Decal:

Important safety information for users to review prior to using the equipment.

### Stop:

Stops/Pauses a workout. Press and hold this key for five seconds to reset the unit.

### Speed Keys:

Manually increases or decreases the speed of the belt.

### Tablet Holder:

An adjustable mount designed to hold mobile devices during a workout.

### Contact Heart Rate Pads:

Allows the user to check their heart rate without wearing a wireless chest strap.

\*For increased safety and accuracy this feature should only be used when the belt speed is below 4 mph.

### Safety (E-Stop) Key:

A tethered safety device designed to attach to both the user and the treadmill console. Removal of the key from the console will stop belt motion to prevent injury in an emergency.

\*The safety key must be in place on the treadmill, and should be attached to the user's clothing. The treadmill will not operate if the safety key is not attached to the treadmill.



# CHAPTER 4: PROGRAMMING & OPERATION

## CONSOLE NAVIGATION:

### Home Screen:

The Home Screen is displayed on the console when there is no workout in progress. From this screen the user is able to select from various options to begin a workout.



### A) Quick Start:

Starts a Quick Start workout in which the user controls all settings until the workout is ended by the user.

### B) User Profiles:

Custom profiles used to store a user's age, weight and saved workouts.

### C) Last 10 Workouts:

Displays the last 10 workouts that were completed on the treadmill and allows users to easily replay a recent workout.

### D) New User:

Creates a new User Profile.

### E) Workout Finder:

Displays a list of the pre programmed workouts that are available on this treadmill.

### F) Bluetooth:

Allows users to pair their bluetooth devices prior to beginning a workout.

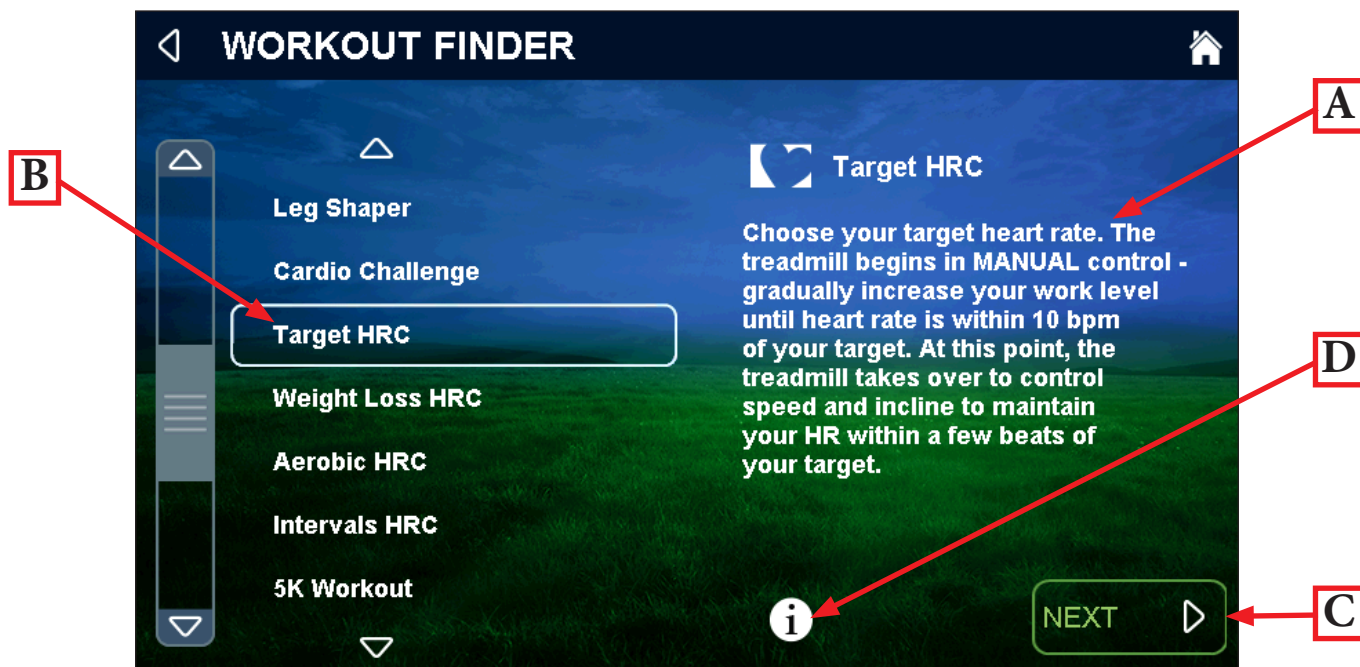
# CHAPTER 4: PROGRAMMING & OPERATION

## CONSOLE NAVIGATION (CONTINUED):

### Selecting a Preset Workout:

Preset workouts are accessed by selecting Workout Finder from the home screen. To view the description of a workout (A), select the workout by touching it (B). Once the desired workout has been selected, simply press Next (C) to proceed.

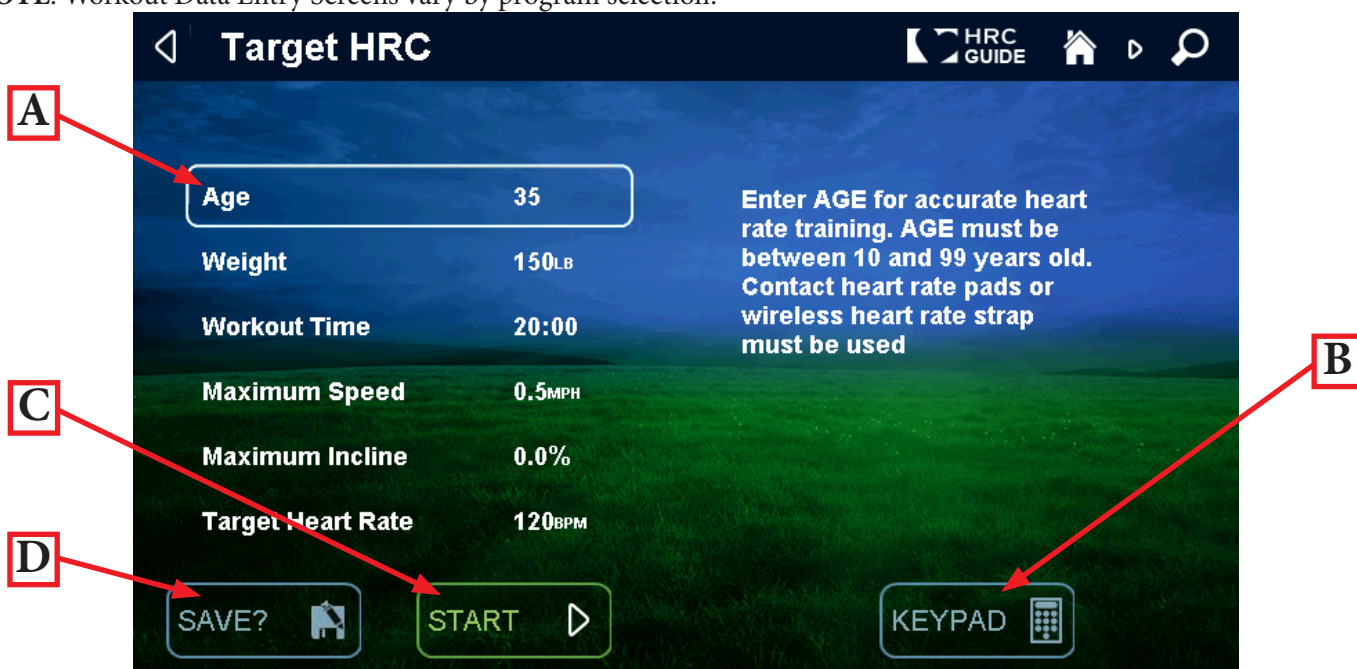
**NOTE:** Workouts can be viewed by category by pressing the “i” button (D).



### Workout Data Entry Screens:

These screens allow users to input their personal information or workout goals prior to beginning a workout. To set a value, touch the value to be changed (A) and use keypad (B) or the + and - speed keys to adjust the value to the desired setting. Once all values are set, touch Start (C) to begin the workout or Save (D) to save the workout to a user profile.

**NOTE:** Workout Data Entry Screens vary by program selection.



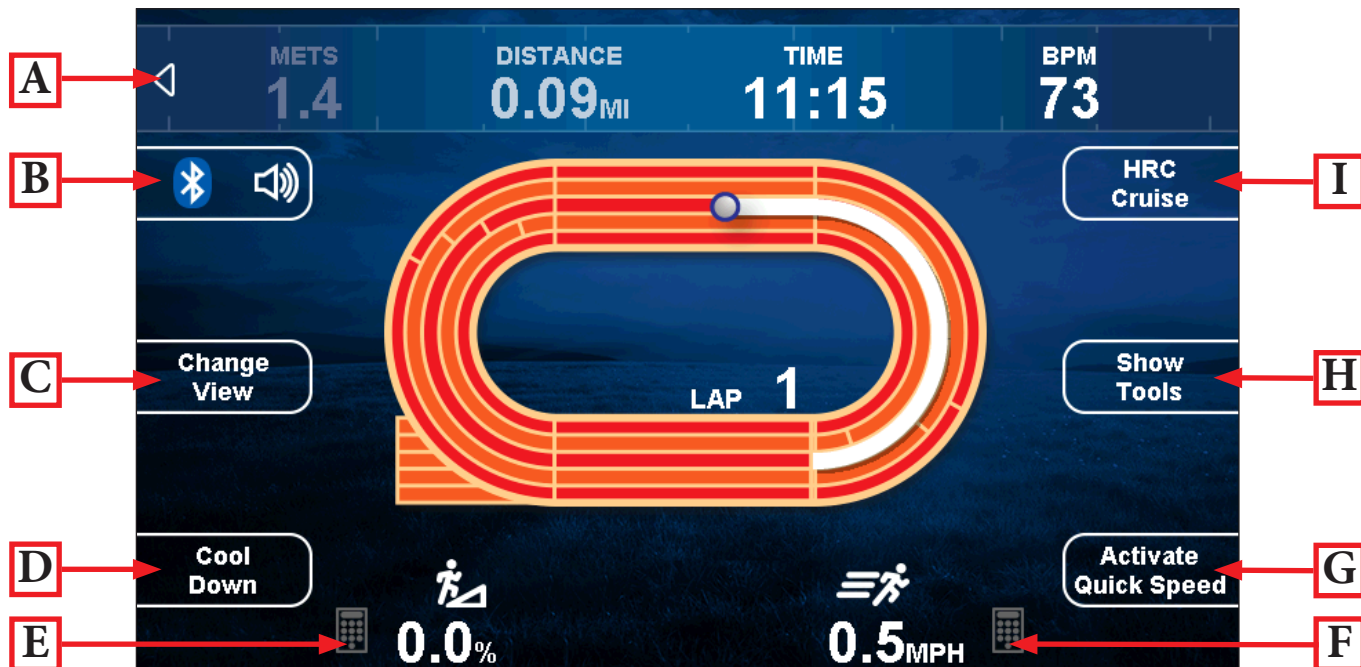


# CHAPTER 4: PROGRAMMING & OPERATION

## CONSOLE NAVIGATION (CONTINUED):

### Workout Data Screens:

During any workout a Workout Data Screen will be displayed to give the user a comprehensive visual overview of their current workout data.



### A) Statistics Bar:

Displays data such as Calories, METS, Distance, Time and Heart Rate during a workout. This may be hidden by touching the arrow on the left side of the bar.

### B) Bluetooth:

Enables or disables the Bluetooth audio function.

### C) Change View:

Switches between the available Workout Data Screens

### D) Cool Down:

Allows the user to end their current workout with a two minute low intensity cool down period. When Cool Down is activated the unit is in manual mode and the user directly controls all settings.

### E) Incline:

Displays the current level of incline. The incline level can be changed by pressing the keypad icon and entering a numeric value.

### F) Speed:

Displays the current treadmill speed. The speed can be changed by pressing the keypad icon and entering a numeric value.

### G) Quick Speed / Quick Incline:

Displays various preset speeds and incline levels to allow the user to quickly and conveniently customize their workout.

### H) Show Tools:

Gives the user the following options:

- Customize the data shown in the Statistics Bar.
- Change units between English and Metric.
- Pair a Bluetooth heart rate strap.

### I) HRC Cruise:

Engages Heart Rate Control to allow the equipment to maintain the user's current heart rate through automatic speed and incline adjustments (when the user is utilizing heart rate monitoring).

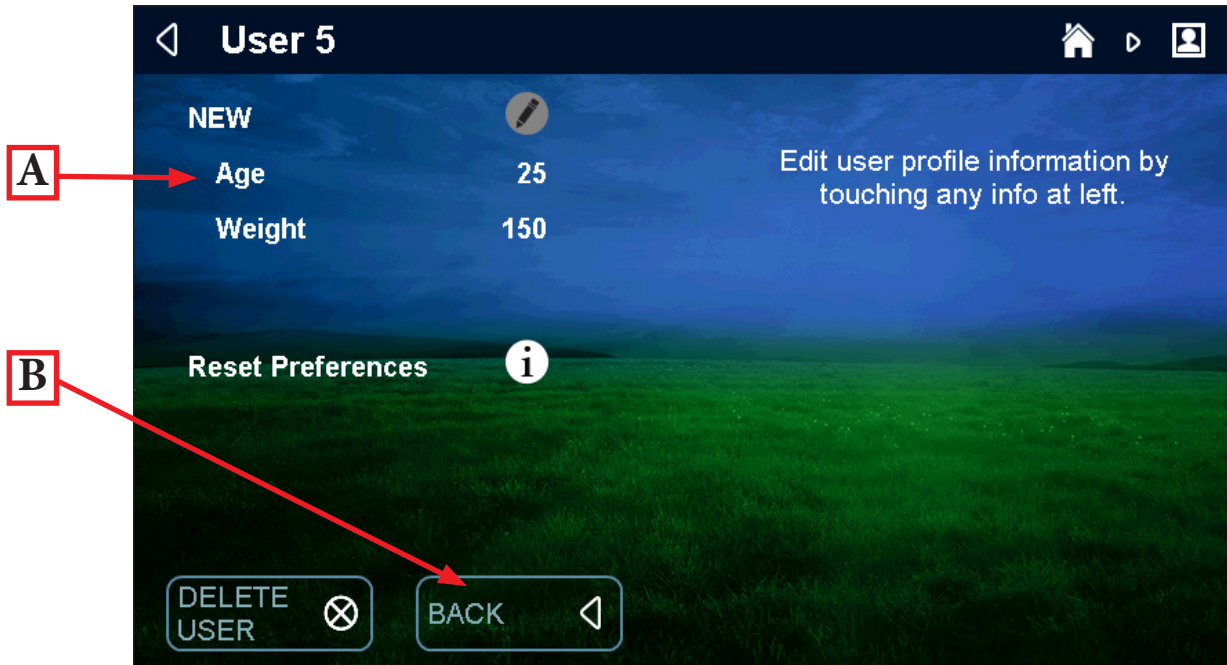
# CHAPTER 4: PROGRAMMING & OPERATION

## USER PROFILES

### Creating a New User:

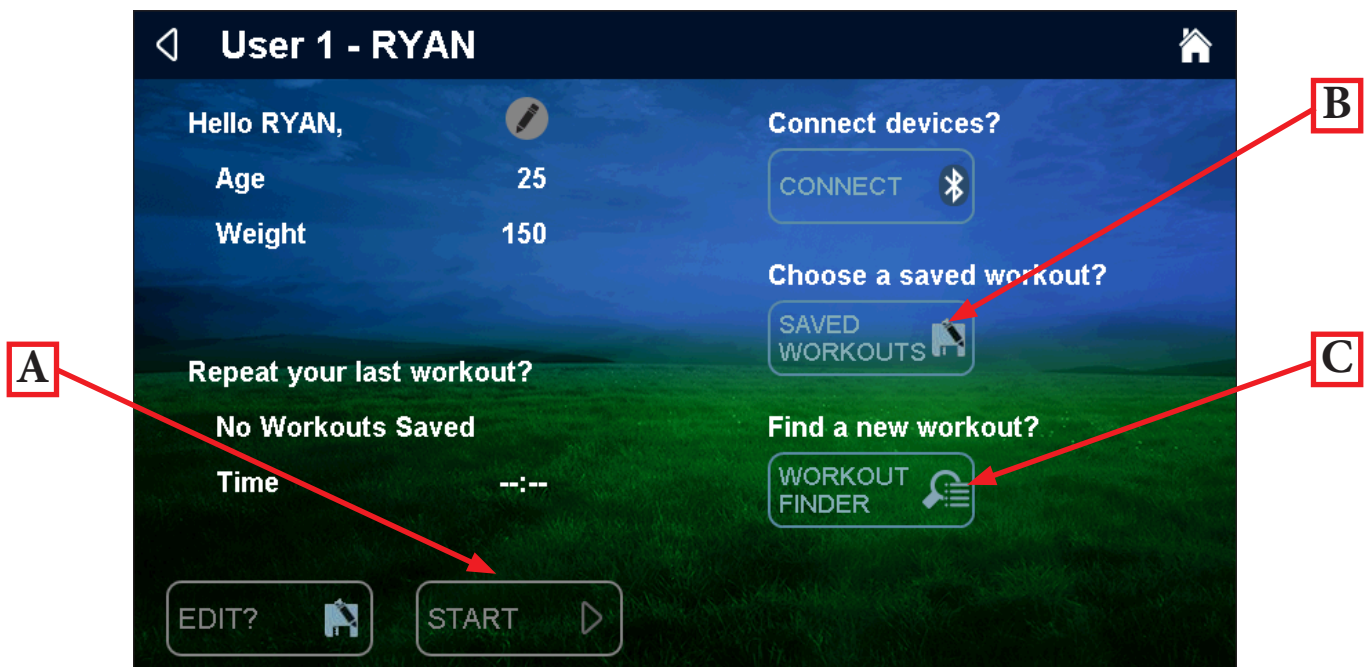
To create a new user profile, touch “New User” on the home screen and the new user screen will appear. Tap the information (A) on the left sided of the screen to edit it. Once all of the information is complete, touch the back button (B) to return to the home screen.

**NOTE:** The number of user profiles is limited to six.



### Beginning a Workout :

Tap the desired user profile on the home screen to display the user profile. From this screen the user can replay their last workout by touching start (A), replay a saved workout by touching saved workouts (B) or find a new workout by touching the workout finder (C).

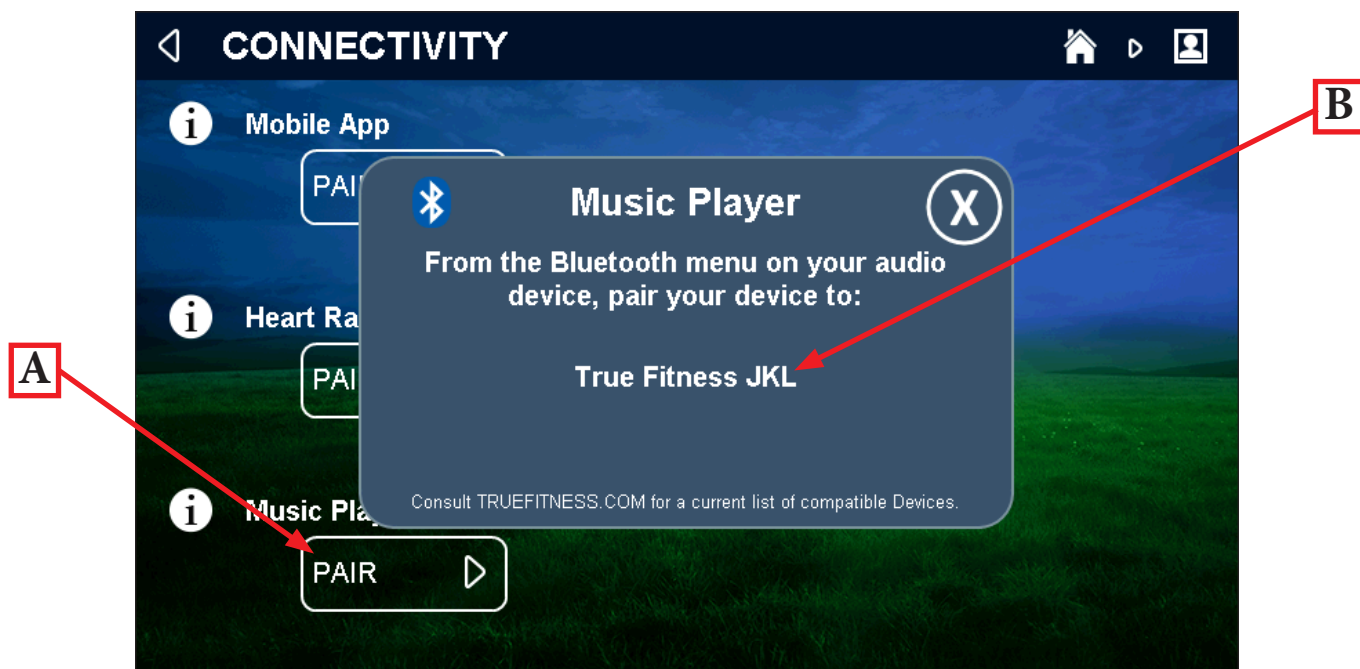


# CHAPTER 4: PROGRAMMING & OPERATION

## BLUETOOTH FUNCTIONS

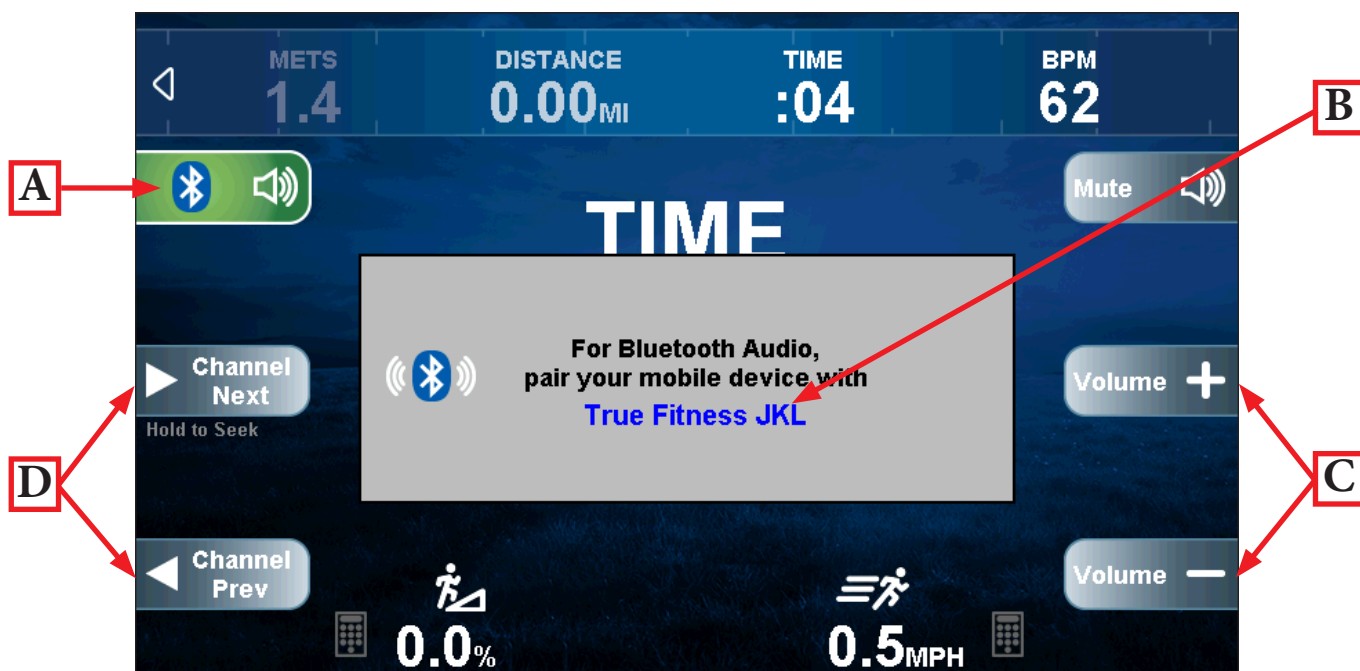
### Bluetooth Audio (Before Workout):

Tap the Bluetooth button on the homepage or in a user profile to display the connectivity screen. Touch the pair button (A) on the console to begin the pairing process. From the Bluetooth menu on your audio device, select the device listed on the console (B) to complete the pairing process.



### Bluetooth Audio (During Workout):

Tap the Bluetooth button(A) on the workout data screen to display the connectivity screen and begin the pairing process. From the Bluetooth menu on your audio device, select the device listed on the console (B) to complete the pairing process. NOTE: When an audio source is selected the user is given control over volume (C), and track adjustments (D).



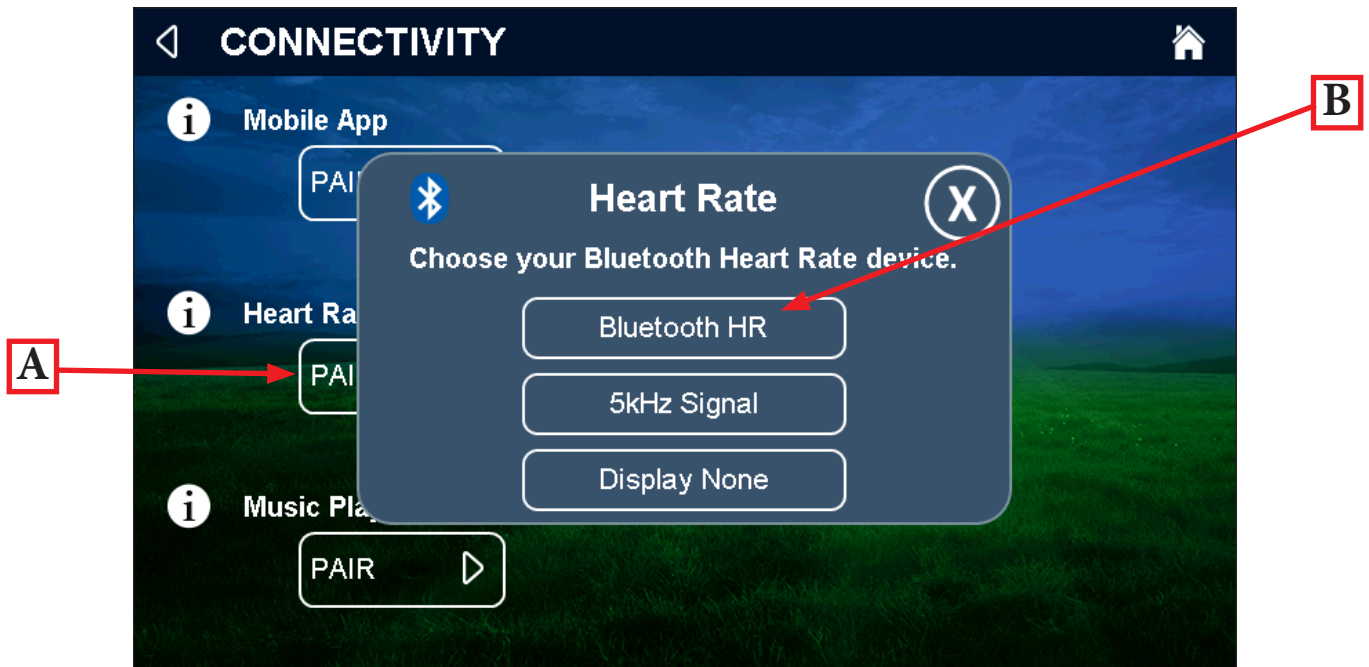


# CHAPTER 4: PROGRAMMING & OPERATION

## BLUETOOTH FUNCTIONS (CONTINUED):

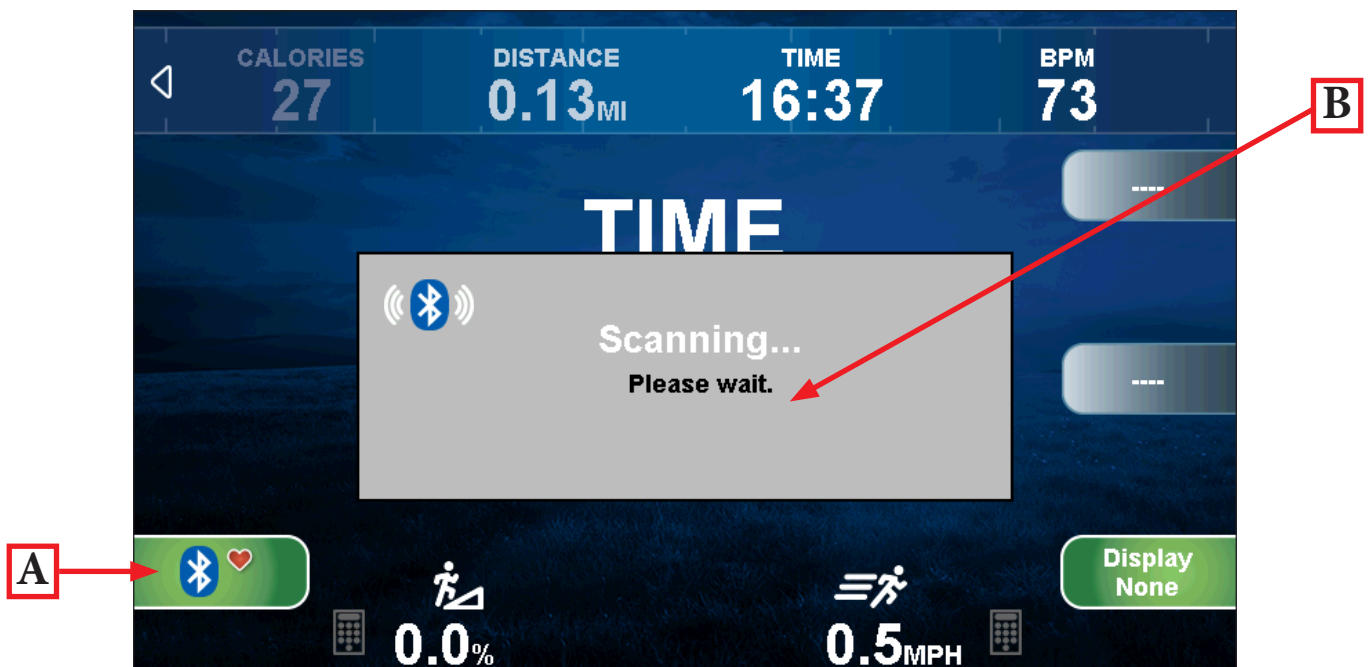
### Bluetooth Heart Rate (Before Workout):

Tap the Bluetooth button on the homepage or in a user profile to display the connectivity screen. Touch the heart rate pair button (A) to display the heart rate pairing screen. Tap the Bluetooth HR button (B) and then select the desired device from the list provided.



### Bluetooth Heart Rate (During Workout):

To pair a Bluetooth heart rate strap, tap the show tools button on the workout data screen, then press the bluetooth heart rate button (A) and select the desired strap from the list (B).



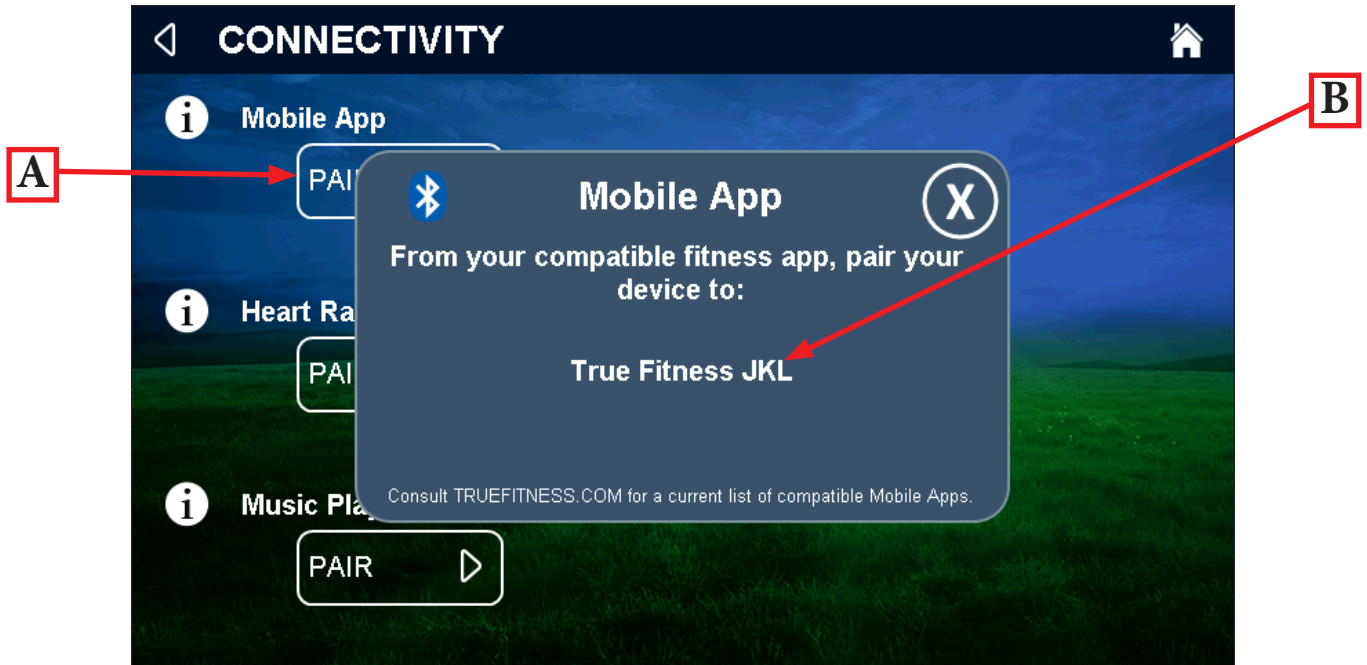
# CHAPTER 4: PROGRAMMING & OPERATION

## BLUETOOTH FUNCTIONS (CONTINUED):

### Mobile Fitness App Pairing:

This console is compatible with Wahoo fitness tracking apps. To pair a compatible app, tap the Bluetooth button on the homepage or in a user profile to display the connectivity screen. Touch the mobile app pair button (A) to display the mobile app pairing screen. From the fitness app, pair to the device (B) shown on the console.

NOTE: For additional information on compatible mobile apps, please visit [www.wahoofitness.com](http://www.wahoofitness.com).



## ADVANCED CONSOLE FUNCTIONS:

### Entering Service Mode:

Press and hold the TRUE logo (A) in the upper left corner of the home screen. When the word "TRUE" (B) begins to flash, release the logo and press and hold the lower right corner of the screen (C).

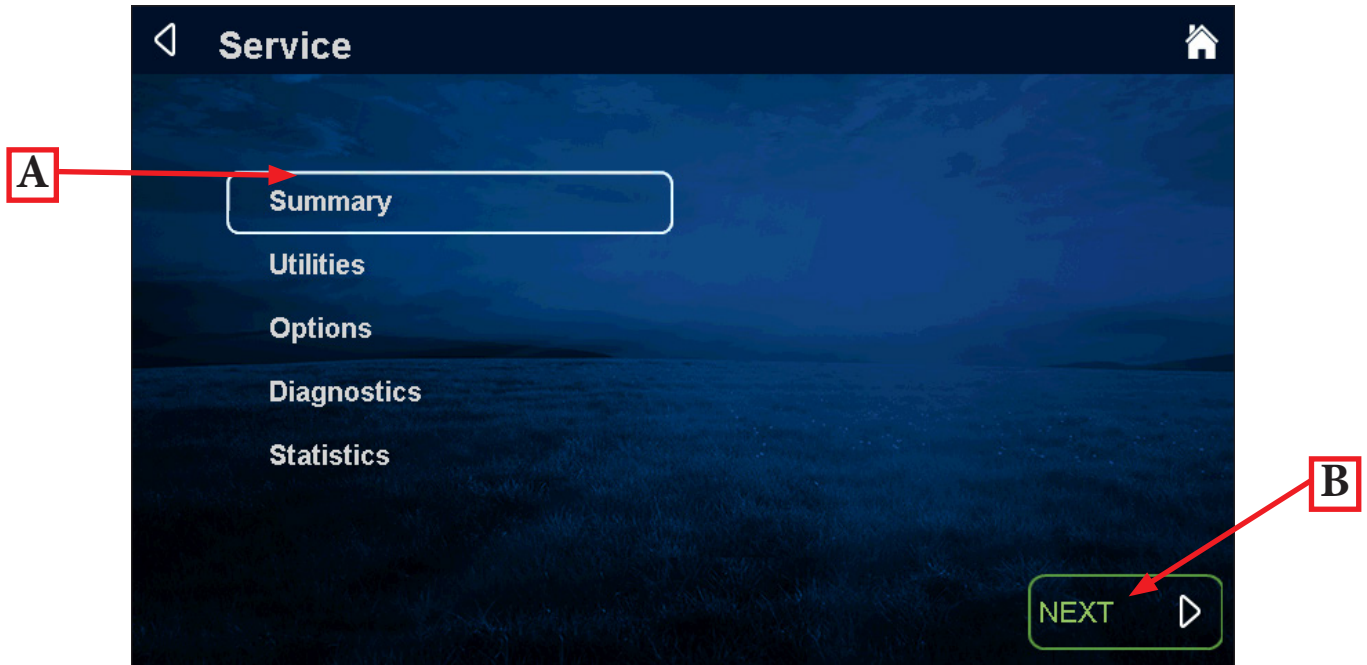


# CHAPTER 4: PROGRAMMING & OPERATION

## ADVANCED CONSOLE FUNCTIONS (CONTINUED):

### Service Menu:

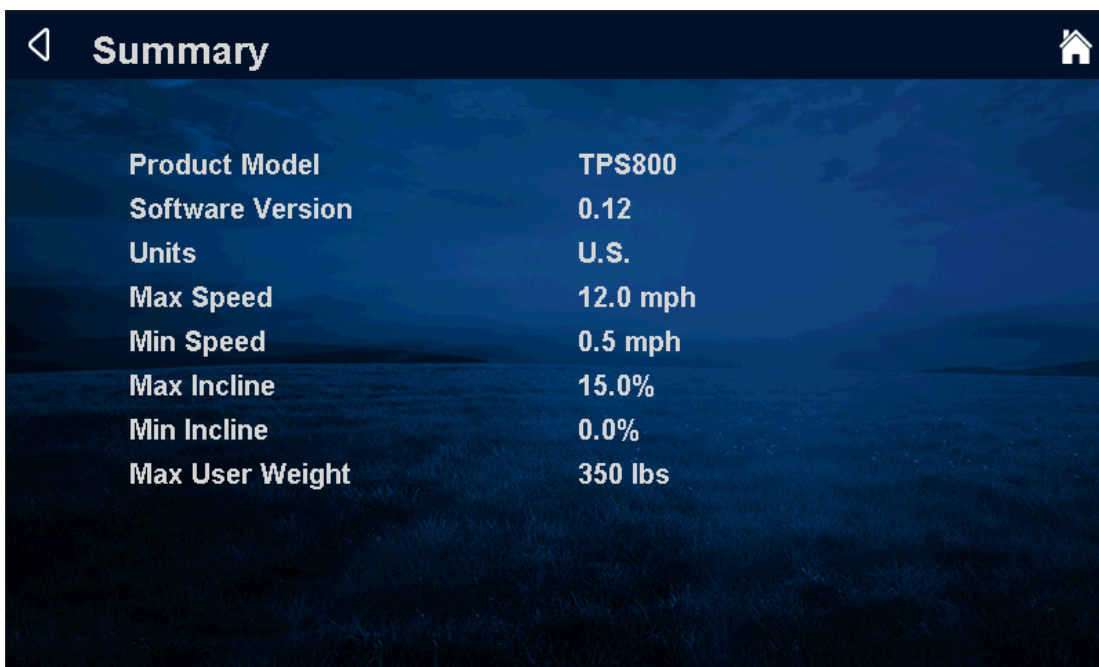
The first screen displayed after entering service mode is the Service Menu. From this menu technicians can access all of the service mode features by selecting different categories. To select a category, touch the desired category (A) to highlight it. Once a category has been selected, press the next (B) to continue.



### Summary Screen:

The summary screen provides an overview of the unit's current settings including; product model, software version, units, max speed, max incline, minimum incline, and max user weight.

**NOTE:** Values cannot be changed in this screen.





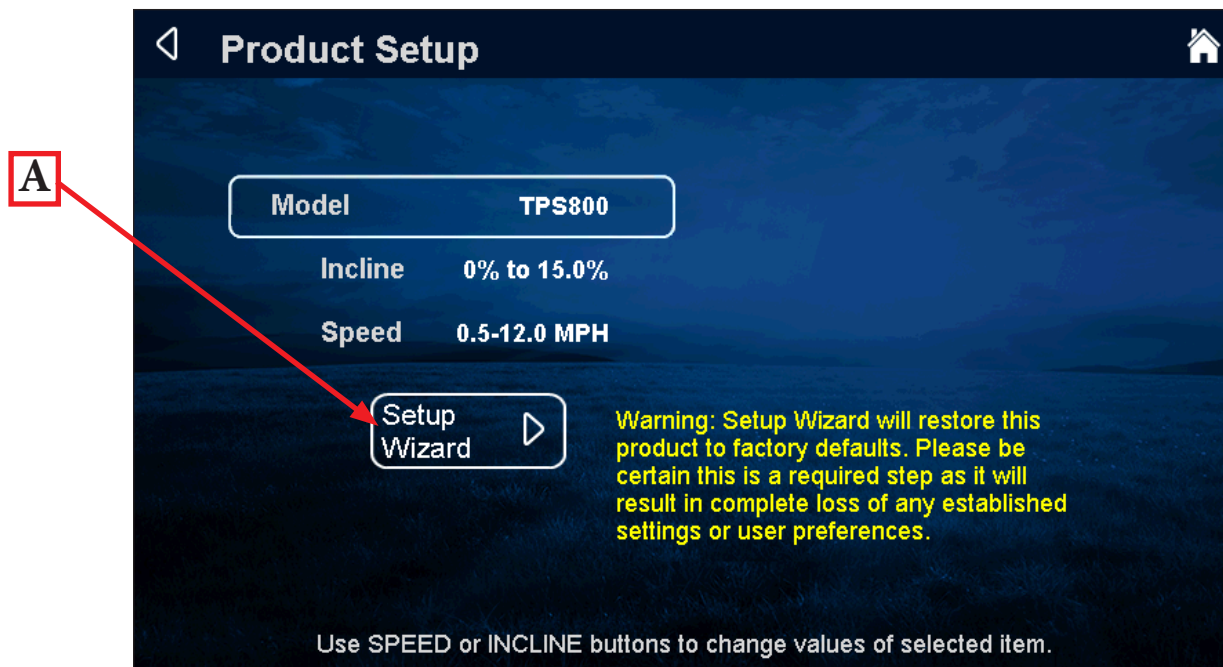
# CHAPTER 4: PROGRAMMING & OPERATION

## ADVANCED CONSOLE FUNCTIONS (CONTINUED):

### Utilities Menu - Product Setup:

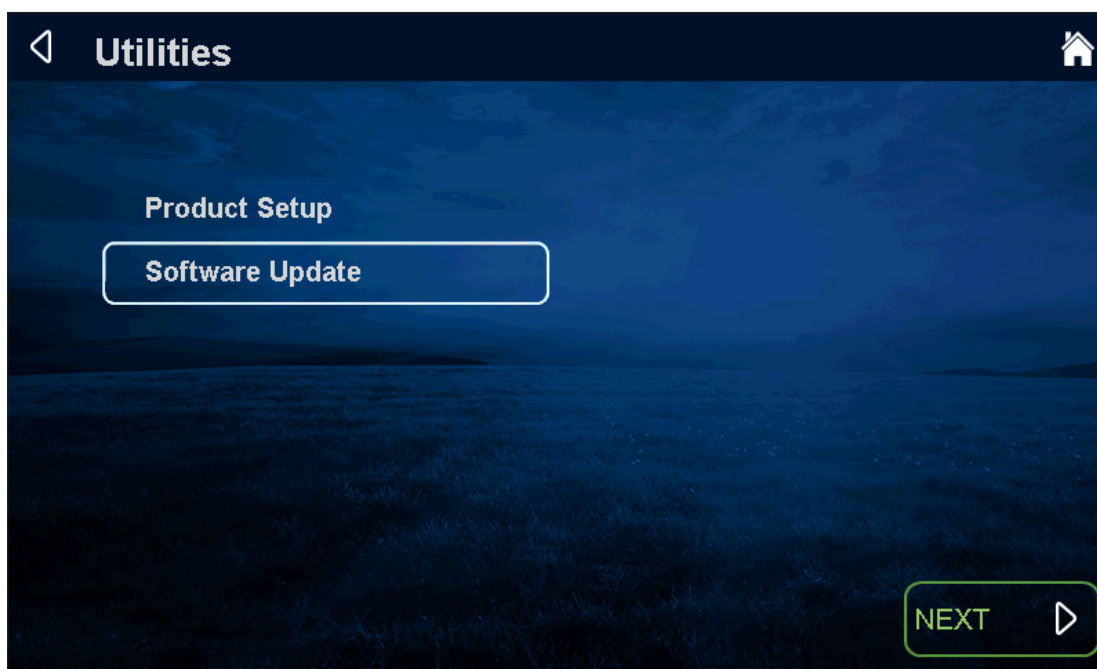
The product setup screen allows the technician to adjust model configuration. To configure the unit, press the setup wizard button (A) and simply follow the on screen instructions to complete the procedure.

**NOTE:** Misconfiguration of the console may cause damage to the unit and void the manufacturer warranty. If necessary, please contact TRUE Fitness Technical Support at 800-883-8783 for assistance.



### Utilities Menu - Software Update:

TRUE may periodically release software updates to ensure users enjoy the best workout experience available. Due to the complex nature of this procedure, it is recommended that any software update be completed by a TRUE certified service professional.

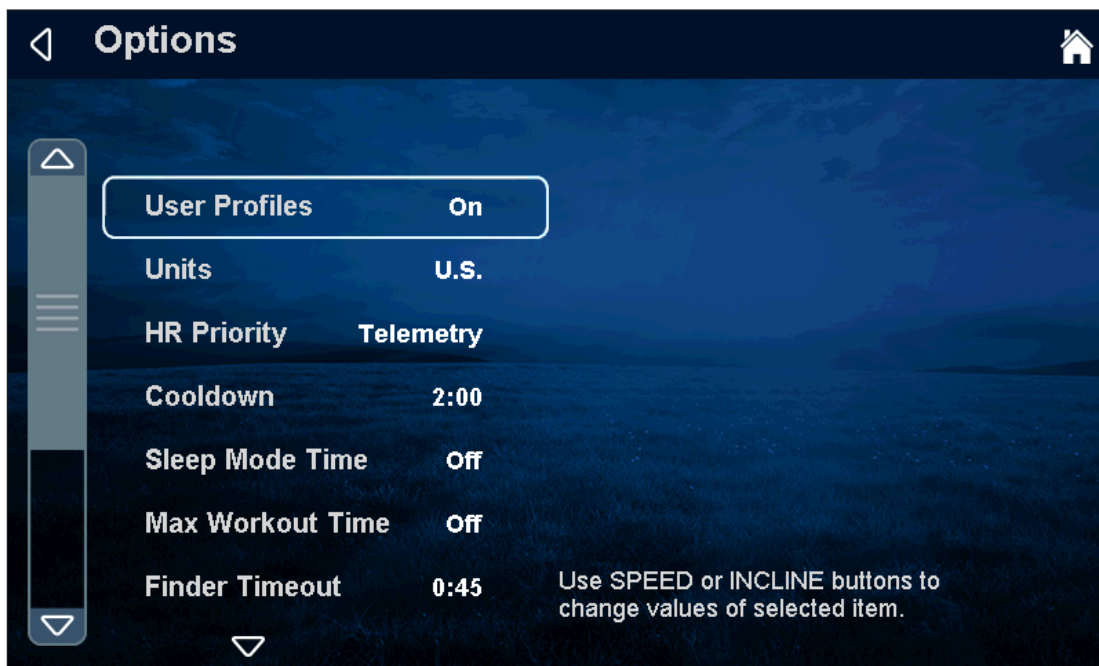


# CHAPTER 4: PROGRAMMING & OPERATION

## ADVANCED CONSOLE FUNCTIONS (CONTINUED):

### Options Menu:

The options menu contains various options and settings that pertain to the operation and setup of the machine. To make changes, select the option to change and use the up and down incline keys to make changes.



### User Profiles

Enables or disables the custom user profile feature.

### Units

Choose how the workout data is displayed by default.

### HR Priority

Determines the order in which the unit reads heart rate data.

### Cooldown

Adjusts the length of the cooldown time at the end of a workout.

### Sleep Mode Timer

The amount of time the unit can be idle before entering sleep mode. By choosing the “Off” setting, the unit will remain powered.

### Max Workout Time

Limits the amount of time that all workouts can last. By choosing the “Off” setting, the time will be unlimited (does not apply to manual or distance workouts).

### Finder Timeout

Choose how long the Workout Finder remains on the screen without any user interaction. By choosing off, the Workout finder will stay open until closed by a user.

### Setup Timeout

Choose how long the workout data entry screen will remain on the display without any user interaction. By choosing the “off” setting, the data entry screen will be displayed until closed by a user

### Summary Timeout:

Determines the amount of time the Workout Summary Screen will be displayed. By choosing the “Off” setting, the summary will be displayed until ended by a user.

### Pause Time

Limits the amount of time that a workout can be paused before it automatically ends. By choosing the “Off” option, the unit will remain paused until the user resumes or ends the workout.

### Factory Defaults

Resets all settings in the to factory defaults.

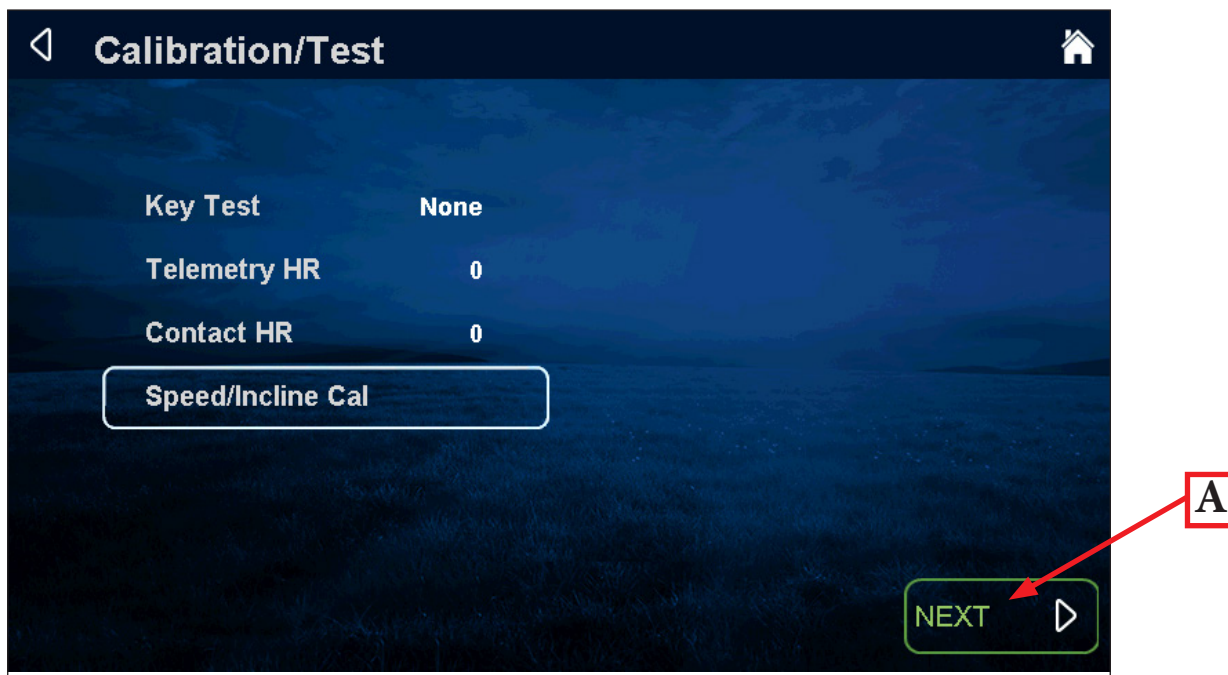


# CHAPTER 4: PROGRAMMING & OPERATION

## ADVANCED CONSOLE FUNCTIONS (CONTINUED):

### Diagnostics Menu - Calibration/Test:

This menu contains tools for testing and verifying treadmill operation.



### Key Test:

When a key is pressed on the console “NONE” will change to indicate which key is being pressed. In the event of a stuck key, the key that is being engaged will display.

### Telemetry HR:

Use the supplied wireless heart rate strap or simulator to test if the unit is receiving wireless heart rate data. If there is a reading displayed without the use of a heart rate strap or simulator, there is outside interference from another source.

### Contact HR:

Ensures the unit is receiving the data by displaying the user’s heart rate when the contact heart rate pads are gripped.

### Speed/Incline Cal:

Speed/Incline Cal (calibration) is selected by default in this menu. To run a calibration press the next button (A) and follow the on screen instructions.

## **⚠️ WARNING:**

This process will take full control of the treadmill and can be dangerous if caution is not taken.

- Calibration can take up to two minutes to complete.
- Do not stand on the treadmill during the calibration procedure.
- Verify that the machine is free of all parts and tools.
- Keep children and animals at a safe distance.

### Diagnostics Menu - Production Test:

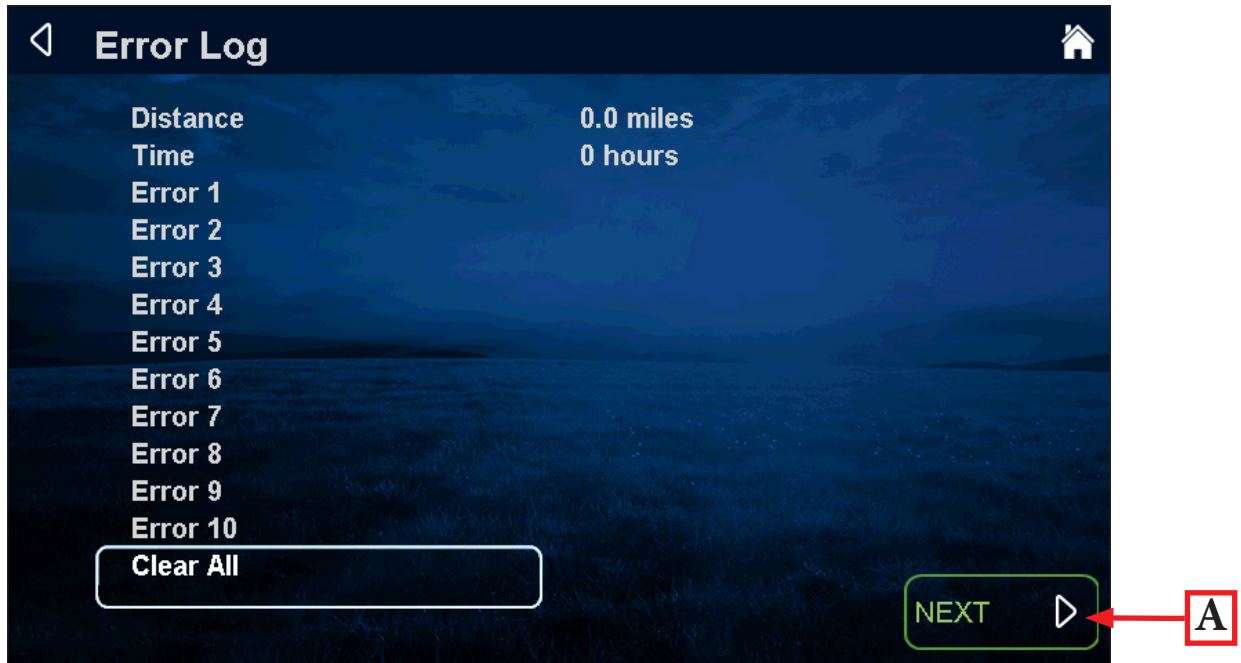
The production test screen is used during the production process and is not used for service or troubleshooting.

# CHAPTER 4: PROGRAMMING & OPERATION

## ADVANCED CONSOLE FUNCTIONS (CONTINUED):

### Diagnostics Menu - Error Log:

Error codes are an important part of troubleshooting any issues with the treadmill. Any time an error occurs it is entered into the error log for review by a service professional. This console is capable of storing the ten most recent errors. The error log can be cleared by pressing the next button (A), but it is not recommended.



### Statistics:

The statistics menu displays an overview of the treadmill's running data. The overview includes distance, time, average speed, maximum speed, manual program count, preset program count, and device connections.



# CHAPTER 5: CARE & MAINTENANCE

## CARE & MAINTENANCE:

It is important to perform the minor maintenance tasks described in this section. Failure to maintain the treadmill as described here could void the TRUE Fitness Warranty. To reduce the risk of electrical shock, always unplug the unit from its power source before cleaning or performing any maintenance tasks.

### Inspection:

TRUE Fitness is not responsible for performing or scheduling regular maintenance or inspections. Users should inspect the treadmill daily. Check for worn, frayed or missing safety lanyards. Replace missing or worn safety lanyards immediately. Do not exercise on the treadmill without attaching the safety clip to your clothing. Look and listen for slipping belts, loose fasteners, unusual noises, worn or frayed power cords, and any other indications that the equipment may be in need of service. If any of these are noticed, obtain service. Do not attempt to use the treadmill until proper service has been performed or damaged parts have been replaced.

### Important:

If you determine that the treadmill needs service, make sure that the treadmill cannot be used inadvertently. Turn the unit off, and then unplug the power cord from its power source. Remove the magnetic safety key and safety clip and store it in a safe place. Make sure other users know that the treadmill needs service.

\*To order parts or to contact a TRUE Authorized Service representative, please visit [www.truefitness.com](http://www.truefitness.com).

## CLEANING THE EQUIPMENT:

### After Each Use:

- Use GymWipes™ Antibacterial wipes or spray a solution of 30 parts water to 1 part mild detergent to dampen a soft cloth and wipe all exposed surfaces.
- Use a LCD/screen cleaner or spray a solution of 1 part 91% isopropyl alcohol and 1 part water to dampen a soft cloth and wipe the surface of the console. This helps remove fingerprints, dust, and dirt.

### Weekly:

- Vacuum any dust or dirt that might have accumulated under or around the treadmill, any motor cover vents and under the straddle covers. Clogged air vents can prevent adequate cooling to the drive motor, incline motor, and motor control board causing a shortened life.
- Check for proper running belt alignment and tension. If running belt adjustment is required see sections RUNNING BELT ALIGNMENT and TENSIONING THE RUNNING BELT in the following pages.

## ▲ CAUTION:

Do not use any acidic cleaners. Doing so will weaken the paint or powder coatings and may void the TRUE Fitness Warranty. Never pour water or spray liquids on any part of the treadmill. Allow the treadmill to dry completely before using. Frequently vacuum the floor underneath the unit to prevent the accumulation of dust and dirt, which can affect the smooth operation of the unit. Use a soft nylon scrub brush to clean the running belt. Do not clean directly underneath the treadbelt. Most of the working mechanisms are protected inside the motor cover and base of the treadmill. However, for efficient operation, the treadmill relies on low friction. To keep the friction low, the unit's running belt, staging platforms, and internal mechanisms must be as clean as possible.

## CHAPTER 5: CARE & MAINTENANCE

### RUNNING BELT ALIGNMENT:

Proper belt alignment allows the belt to remain centered and ensures smooth operation. Realigning the belt takes a few simple adjustments. If you are unsure about this procedure, call the TRUE Service Department.

### ▲CAUTION:

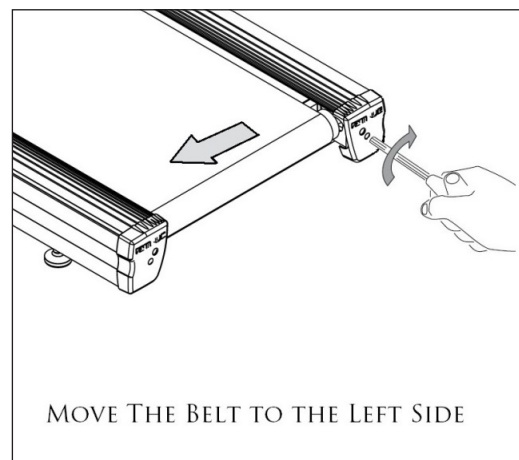
- Special care must be taken when aligning the running belt. Turn off the treadmill while adjusting or working near the rear roller. Remove any loose clothing and tie back your hair. Be very careful to keep your fingers and any other object clear of the belt and rollers, especially in front of the roller and behind the deck. The treadmill will not stop immediately if an object becomes caught in the belt or rollers.
- If you hear any chafing or the running belt appears to be getting damaged, stop the running belt immediately by pressing the STOP key. Contact the TRUE Service Department. Walk around to the rear of the unit and observe the belt for a few minutes. The belt should be centered on the running deck. If the belt drifts off center, you must make adjustments.
- For your safety, use the power switch to turn off the treadmill before making any adjustments. Do not adjust the running belt when someone is standing on the unit.
- Do not turn the adjusting bolt more than 1/4 turn at a time. Over tightening the bolt can damage the treadmill. If you are unsure how to adjust the running belt, call the TRUE Service Department.

### Important:

Failure to align the belt may cause the belt to tear or fray, which may not be covered under the TRUE Fitness Warranty. To stop the running belt, press the STOP key. Turn the treadmill off.

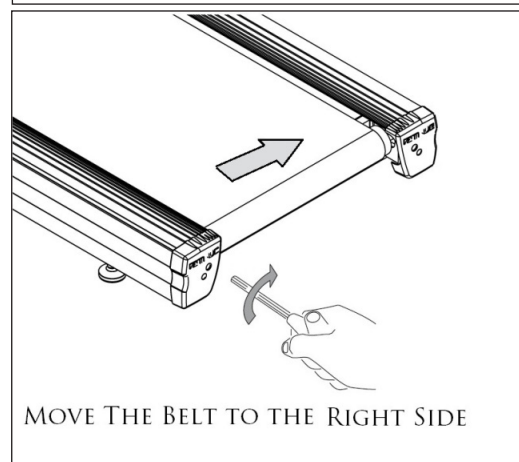
### If the running belt is too far to the right side

- Locate the belt adjustment bolts in the rear end caps of the treadmill. (To determine left and right, stand at the rear of the treadmill and face the display).
- Using the appropriate size Allen wrench or socket turn the RIGHT adjustment bolt clockwise ¼ turn.
- Turn the treadmill on and start the belt at 3mph keeping off the unit.
- Allow 2 minutes for the belt to adjust itself.
- Repeat the above steps if additional adjustment is necessary.



### If the running belt is too far to the left side:

- Locate the belt adjustment bolts in the rear end caps of the treadmill. (To determine left and right, stand at the rear of the treadmill and face the display).
- Using the appropriate size Allen wrench or socket turn the LEFT adjustment bolt clockwise ¼ turn.
- Turn the treadmill on and start the belt at 3mph keeping off the unit.
- Allow 2 minutes for the belt to adjust itself.
- Repeat the above steps if additional adjustment is necessary.



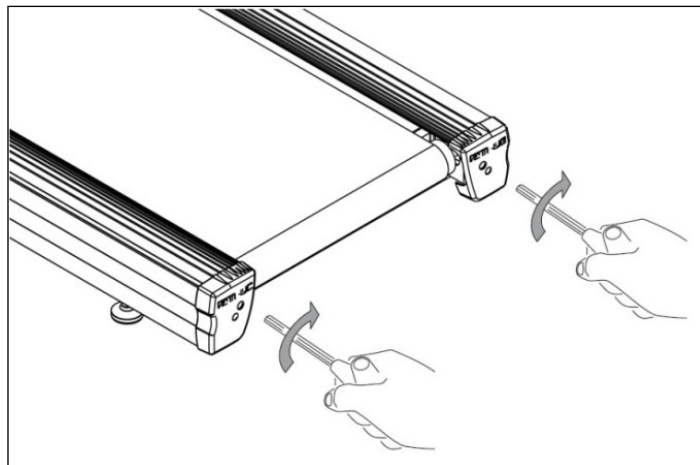


## CHAPTER 5: CARE & MAINTENANCE

### TENSIONING THE RUNNING BELT:

If there is a slipping or jerking sensation when running on the treadmill, the running belt may require tightening. In most cases the belt has stretched from use. Tensioning the belt takes a few simple adjustments. If you are unsure about this procedure, call the TRUE Service Department.

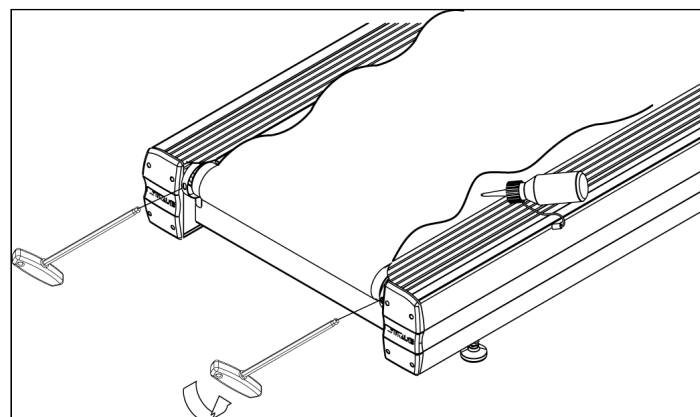
- Locate the belt adjustment bolts in the rear end caps of the treadmill.
- Using the appropriate size Allen wrench or socket turn BOTH adjustment bolts clockwise  $\frac{1}{4}$  turn.
- Turn the treadmill on and start the belt and check if the slipping continues.
- Repeat the above steps if additional adjustment is necessary.



### TREADMILL LUBRICATION:

For in-home use over 20 hours per week, TRUE recommends lubricating every three months. For average in-home use of the treadmill, TRUE recommends lubrication under the tread belt once per year.

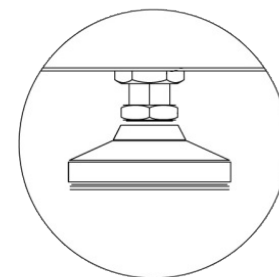
- Loosen the belt adjustment bolts in the rear end caps.
- Lift the belt and apply the lubricant to the center of the deck.
- Center and re-tension the belt using the directions above.
- Walk on the treadmill at 2MPH for about 60 seconds to spread the lubricant evenly through the belt and deck.



\*Please contact your dealer or visit [www.truefitness.com](http://www.truefitness.com) to obtain the proper lubricants.

### LEVELING THE TREADMILL:

The treadmill has adjustable rear leveling feet. Make sure that the running surface is level. If the treadmill is placed on an uneven surface, adjusting the rear feet can help, but may not completely compensate for extremely uneven surfaces.



## CHAPTER 5: CARE & MAINTENANCE

### OTHER SCHEDULED PREVENTIVE MAINTENANCE:

TRUE recommends that quarterly scheduled maintenance be performed by a qualified service technician. Please contact your dealer or visit [www.truefitness.com](http://www.truefitness.com) to contact a local TRUE authorized service technician.

#### Scheduled Preventive Maintenance:

- Record time, distance and hours from the console.
- Check error log in console.
- Check running belt and drive belt tension and tracking.
- Remove the motor cover and vacuum any debris out of the drive motor, speed sensor cage, motor control board and heat sink motor compartment.
- Move treadmill and vacuum underneath.
- Lubricate elevation pivot points including rear stabilizing feet and the lift motor screw.
- Lubricate walking belt and deck.
- Inspect all fasteners.
- Inspect all electrical connections.
- Inspect all components for abnormal or premature wear.

### **▲ CAUTION:**

Use only TRUE Fitness certified service providers.

### **LONG TERM STORAGE:**

When the treadmill is not in use for any length of time, turn it off. Make sure that the power cord is unplugged from the power source and is positioned so that it will not become damaged or interfere with people or other equipment.

#### Storing the Chest Strap:

Store the chest strap in a place where it remains free of dust and dirt such as, in a closet or drawer. Be sure to protect the chest strap from extremes in temperature. Do not store it in a place that may be exposed to temperatures below 32° F (0° C). To clean the chest strap, use a sponge or soft cloth dampened in mild soap and water. Dry the surface thoroughly with a clean towel.



## CHAPTER 6: CUSTOMER SERVICE

### CONTACTING SERVICE:

TRUE Fitness recommends that you gather the serial number, model number, and a brief description of the reason for the request. After information has been gathered you may choose to contact your selling dealer or local service company to set an appointment. (If you are not familiar with who is in your area, you may visit our website at [www.truefitness.com](http://www.truefitness.com) and use our dealer locator to obtain the contact information for the closest dealer).

You may also contact TRUE Fitness' customer support team by calling 800.883.8783 or e-mailing us at [service@truefitness.com](mailto:service@truefitness.com) Monday – Friday during normal business hours.

#### TRUE FITNESS SERVICE DEPARTMENT

865 HOFF ROAD

ST. LOUIS, MO 63366

1.800.883.8783

HOURS OF OPERATION: 8:30 A.M. - 5:00 P.M. CST

E-MAIL: [service@truefitness.com](mailto:service@truefitness.com)

### CONTACTING SALES:

Interested in TRUE Products? Please contact us with any sales or product inquires so that we may direct you to the appropriate sales representative to answer your questions.

#### TRUE FITNESS HOME OFFICE

865 HOFF ROAD

ST. LOUIS, MO 63366

1.800.426.6570

HOURS OF OPERATION: 8:30 A.M. - 5:00 P.M. CST

E-MAIL: [sales@truefitness.com](mailto:sales@truefitness.com)

## CHAPTER 6: CUSTOMER SERVICE

### **REPORTING FREIGHT OR PARTS DAMAGE:**

Unfortunately, sometimes materials can be damaged during shipment. If materials are damaged during shipment, please follow the guidelines below to determine the appropriate process for you to follow in case of damages.

#### Severe Damage:

Obvious damage to external packaging / internal product. Please refuse the shipment and it will be returned to TRUE Fitness by the carrier. Contact the TRUE Fitness customer support team by calling 800.883.8783 or sales support team by calling 800.426.6570 Monday-Friday during normal business hours to notify us that the shipment has been refused. Once we have received the damaged shipment, a replacement shipment will be sent to you. Only refuse the damaged piece if the shipment is multiple boxes.

#### Slight Damage:

The box may have minimal damages and you are not sure if the actual product is damaged or not. You must sign the bill of lading as damaged when accepting the shipment. Once you have opened the box and you have determined something is indeed damaged please gather the serial number, model number, description and photos of damages. Please make sure the photos include the damaged product as well as the damaged box the product arrived in. Contact the TRUE Fitness customer support team by calling 800.883.8783 or sales support team by calling 800.426.6570 Monday-Friday during normal business hours.

#### Concealed Damage:

You may receive a shipment that looks intact and discover once the box has been opened that there are hidden damages. Please notify the carrier immediately. We will not be able to file a claim if the carrier is not notified in a timely manner. Once you have called the carrier you will need to gather the serial number, model number, description and photos of damages. Contact the TRUE Fitness customer support team by calling 800.883.8783 or sales support team by calling 800.426.6570 Monday-Friday during normal business hours.

# CHAPTER 7: ADDITIONAL INFORMATION

## TROUBLESHOOTING GUIDE:

This troubleshooting guide is intended to assist in diagnostics only and is not all inclusive. Technical specifications, error codes and programming are subject to change without notice. TRUE accepts no liability for any damage or loss suffered by persons whom rely wholly or in part on any description or statement contained within this manual. Please visit [www.true-fitness.com](http://www.true-fitness.com) to obtain the most recent version of all manuals and contact the TRUE Service Department at 800-883-8783 for assistance with troubleshooting and diagnostics.

Malfunction	Possible Cause	Corrective Action
No Power	Unit turned off	Verify the On/Off switch is at the ON Position
	Damaged power cord	Replace Power Cord
	Power cord not fully seated in socket	Inspect power connection at the unit and outlet
	No Power at outlet	Use a voltmeter to verify power at outlet
	Tripped circuit breaker	The location of the circuit breaker is next to the On/Off switch. Verify the circuit breaker is not open. If the breaker is open reset.
Unit resets or pauses randomly	Damaged power cord	Replace power cord
	Power cord not fully seated in socket	Inspect power connection at the unit and outlet
	Safety e-stop key not fully engaged	Re-engage the safety/e-stop key to the console
	Insufficient power	Verify output voltage from 20A outlet with a voltmeter
	Error code is displayed on console	Contact TRUE Fitness Customer Service Department
	Pinched or loose main communication cable	Contact TRUE Fitness Customer Service Department
Walking belt is off center	No User Present displayed on screen	User weight must be over 90lbs. Verify No User Present settings in console.
	Uneven floor	Adjust treadmill with rear leveling feet. See Chapter 5: Running Belt Alignment
Walking belt hesitates or slips when stepping	Adjust belt tracking	See Chapter 5: Centering the Running Belt
	Adjust belt tension	See Chapter 5: Tensioning the Running Belt
Rubbing sound from treadmill when in operation	Lubricate running belt	See Chapter 5: Treadmill Lubrication
	Walking belt is rubbing a straddle cover	Adjust belt tracking. See Chapter 5: Centering the Running Belt
	Foreign object may be stuck under walking belt	Inspect under the unit. Remove and object that may be under the unit.
	Foreign object may be stuck in motor compartment	Contact TRUE Fitness Customer Service Department
	Roller bearings may be damaged	Contact TRUE Fitness Customer Service Department
	Drive motor may be damaged	Contact TRUE Fitness Customer Service Department
Heart rate is displaying erratically or not displaying	Drive belt may be misaligned	Contact TRUE Fitness Customer Service Department
	Transmitter belt contacts are not making good contact with the skin	Re-adjust the transmitter belt so that it is in full contact with the skin
	Contacts on the transmitter belt are not moist	Moisten the contacts on the transmitter belt
	Transmitter belt is not within 3 feet (1 meter) of the heart rate receiver	Adjust your position on the belt so that you are within 3 feet (1 meter) of the console

# CHAPTER 7: ADDITIONAL INFORMATION

## TROUBLESHOOTING GUIDE (CONTINUED):

Malfunction	Possible Cause	Corrective Action
Heart rate is displaying erratically or not displaying (continued)	The battery inside the transmitter belt is depleted	replace the transmitter belt with a compatible transmitter belt
	Another user wearing a compatible transmitter strap is within 3 foot (1 meter) of the unit	Move the units so that there is more space in-between units
	Environmental interference from high voltage power lines	Move the unit to another position within the room or move the cause of the interference until heart rate reading are stable. If the probable source of interference is plugged into the same outlet move the suspect source to another outlet.
	Environmental interference from computers	
	Environmental interference from motor driven appliances	
	Environmental interference from cell or cordless phone	
	Environmental interference from Wi-Fi router	

Fault Code	Category	Description	Cause	Corrective Action
Fault CN00: Corrupted Console Configuration	Console	Corrupted brainboard configuration - fails integrity check	Corrupt software	Power cycle Re-configure console
			Firmware and software versions are not compatible	Re-install software/firmware Contact dealer or TRUE service
Fault CN01: Internal Fault	Console	Math error - software	Console Configure incorrectly	Power cycle Re-configure console
			Corrupt Software	Re-install software/firmware Contact dealer or TRUE service
Fault CN02: Invalid Console Configuration	Console	The product configuration data has failed validation checks (incline ranges make no sense, etc.)	Console configured incorrectly	Power cycle Re-configure console
			Incline Motor out of range	Contact dealer or TRUE service
			Loose Cable	
Fault CN03: Stuck Key	Console	Membrane Key stuck down/closed	Membrane key is damaged	Contact dealer or TRUE service
Fault CN04: Lower Board Comm Fault	Console	Brainboard fails to receive timely communication responses from lower board - Fault after 3 retries	Loose Cable	Power cycle Check cable connections
			Motor control board	Contact dealer or TRUE service
			Console	

# CHAPTER 7: ADDITIONAL INFORMATION

## TROUBLESHOOTING GUIDE (CONTINUED):

Fault Code	Category	Description	Cause	Corrective Action
Fault CN05: No Lower Control	Console	No lower board connected to console - detection wires not connected.	Loose Cable	Power cycle Check cable connections
			Console Configured incorrectly	Re-configure console
Fault CN06: Config Mismatch	Console	Console is configured for a product different than that to which it is connected.	Console Configured incorrectly	Power cycle Re-configure console
			Loose Cable	Check cable Connections
Fault CN07: Calibration Timeout	Console	Incline Calibration was not able to complete within allowed time.	Low AC Line Voltage	Retry calibration Verify AC Voltage at Outlet
Fault CN08: Calibration Failed - Lower Limit Not Reached	Console	During incline calibration, the incline stalled before reaching what should be the lower limit.	Console displays Fault Calibration not saved. Incline disabled.	Power cycle Check cable connections Run incline calibration
			Incline Potentiometer value out of range	Contact dealer or TRUE service
Fault CN09: Insert Safety Key	Console	Emergency Circuit opened	Safety Key not engaged	Re-insert safety key
			Loose Cable	Check cable connections
			Switch Damaged	Contact dealer or TRUE service
Fault CN10: E-Stop Fault	Console	A test of the emergency circuit has failed	Console Catch	Power cycle
			Safety Key not engaged	Re-insert safety key
			Loose Cable	Check cable connections
			Switch Damaged	Contact dealer or TRUE service
Fault CN24: BB Comm Fault	Console	SBC cannot communicate with Brainboard	Console	Power cycle Contact dealer or TRUE service
Fault CN25: Firmware Mismatch	Console	Firmware on brainboard not compatible with SBC software	Corrupt software	Power cycle Re-configure console
			Firmware and software versions are not compatible	Re-install software/firmware Contact dealer or TRUE service



# CHAPTER 7: ADDITIONAL INFORMATION

## TROUBLESHOOTING GUIDE (CONTINUED):

Fault Code	Category	Description	Cause	Corrective Action
Fault SP01: Belt Under Speed	Speed	Tread motor rpm is below target rpm	High belt/deck friction	Lubricate treadbelt Contact dealer or TRUE service
			High belt tension	Check drive belt and walking belt tension
			Low Line Voltage	Contact dealer or TRUE service
			Dirty or misaligned speed sensor	
Fault SP02: Belt Over Speed	Speed	Tread motor rpm is higher than target rpm	High belt/deck friction	Lubricate treadbelt Contact dealer or TRUE service
			Line Voltage	Check AC line voltage
			Dirty or misaligned speed sensor	Contact dealer or TRUE service
Fault SP03: Belt Over Accel	Speed	Tread belt speed increasing too quickly	User is holding belt back	Do not try to stop belt
			High belt/deck friction	Lubricate treadbelt
			Dirty or misaligned speed sensor	Contact dealer or TRUE service
Fault SP04: No Speed Signal	Speed	Speed sensor is not providing speed data	Dirty or misaligned speed sensor	Contact dealer or TRUE service
			High belt/deck friction	Lubricate treadbelt Contact dealer or TRUE service
			Low Line Voltage	Check AC line voltage
Fault IN01: Incline Stall	Incline	Incline not moving when commanded	Console displays Fault Calibration not saved. Incline disabled.	Power cycle Check cable connections Run incline calibration
			Incline Potentiometer value out of range	Contact dealer or TRUE service
			Fault IN02: Incline Out of Range	Incline
Incline Potentiometer value out of range	Contact dealer or TRUE service			

# CHAPTER 7: ADDITIONAL INFORMATION

## TROUBLESHOOTING GUIDE (CONTINUED):

Fault Code	Category	Description	Cause	Corrective Action
Fault IN03: Incline Run Fault	Incline	Incline moving when not commanded	Console displays Fault Calibration not saved. Incline disabled.	Power cycle
				Check cable connections
				Run incline calibration
			Incline Potentiometer value out of range	Contact dealer or TRUE service
Fault IN04: Incline Max/Min	Incline	Incline value is out of expected operating range - may indicate that it is disconnected.	Console displays Fault Calibration not saved. Incline disabled.	Power cycle
				Check cable connections
				Run incline calibration
			Incline Potentiometer value out of range	Contact dealer or TRUE service
Fault D100: Motor Controller Fault	DC MCB	Motor Control Board Fault	Motor Control Board	Power cycle
				Contact dealer or TRUE service
Fault D101: Lower Board Communication Fault	DC MCB	Endex did not receive communication from BB in 18 seconds	Loose cable connection	Power cycle
				Check cable connections
			Motor Control Board Upper display/console	Contact dealer or TRUE service
Fault D103: Motor Controller Fault	DC MCB	Low Incoming AC Voltage	Low AC Line Voltage	Power cycle
				Check AC line voltage
Fault D104: Motor Controller Fault	DC MCB	Motor Control Board Fault	Motor Control Board	Power cycle
				Contact dealer or TRUE service
Fault D106: Motor Controller Fault	DC MCB	High Incoming AC Voltage	High AC line voltage	Check AC line voltage
				Power cycle
			Motor Control Board	Contact dealer or TRUE service
			High belt/deck friction	Lubricate treadbelt
Fault D107: Motor Over Current	DC MCB	High Incoming AC Voltage	High AC line voltage	Check AC line voltage
Fault D108: Motor Over Current	DC MCB	High Incoming AC Voltage	High AC line voltage	Check AC line voltage
				Power cycle
			Motor Control Board	Contact dealer or TRUE service
			High belt/deck friction	Lubricate treadbelt

# CHAPTER 7: ADDITIONAL INFORMATION

## TROUBLESHOOTING GUIDE (CONTINUED):

Fault Code	Category	Description	Cause	Corrective Action
Fault D109: Motor Controller Zero Current	DC MCB	Low Incoming AC Voltage	Low AC Line Voltage	Power cycle
				Contact dealer or TRUE service
Fault D110: Motor Controller Overcurrent	DC MCB	High Incoming AC Voltage	High AC line voltage	Check AC line voltage
			Motor Control Board	Power cycle
				Contact dealer or TRUE service
High belt/deck friction	Lubricate treadbelt			
Fault D111: Motor Controller Voltage Overload	DC MCB	Low Incoming AC Voltage	Low AC Line Voltage	Power cycle
				Check AC line voltage
				Contact dealer or TRUE service
Fault D112: Motor Controller Undervoltage	DC MCB	Low Incoming AC Voltage	Low AC Line Voltage	Power cycle
				Check AC line voltage
				Contact dealer or TRUE service
Fault D113: Motor Controller Control Fault	DC MCB	Incline Stall - incline not moving when commanded	Console displays Fault Calibration not saved. Incline disabled.	Power cycle
				Check cable connections
				Run incline calibration
			Incline Potentiometer value out of range	Contact dealer or TRUE service
Acme Nut jammed				
Motor bearings				
Fault D114: Lower Board Incline Range Fault	DC MCB	Incline out of range	Console displays Fault Calibration not saved. Incline disabled.	Power cycle
				Check cable connections
				Run incline calibration
Incline Potentiometer value out of range	Contact dealer or TRUE service			



# TRUE<sup>®</sup> CARDIO PERFORMANCE 800 RESIDENTIAL



PREMIUM FITNESS EQUIPMENT SINCE 1981

## PERFORMANCE 800 TREADMILL

The TRUE Fitness Performance 800 treadmill offers a customizable experience on one of the largest running surfaces in the industry. User-friendly tabs on the bottom of the all-new touchscreen console allows up to six users to save their custom profiles. The latest in app tracking technology helps users monitor and share their workout data. TRUE Soft Select<sup>®</sup> gives users the opportunity to customize the softness of the running deck to enhance their training program. TRUE's Orthopedic Belt offers impact reduction. The Performance 800 offers beautifully designed uprights matched with extended handrails to provide additional safety for runners. This treadmill comes with a 4HP motor designed to last. Add one of the most comprehensive warranties in the industry, including a ten-year warranty on the touchscreen, and you have a state-of-the-art treadmill that is perfect for any home.





## PERFORMANCE 800 TREADMILL

TECHNICAL SPECIFICATIONS	Power Source	110V/15A
	Cord Length	8' (2.4M)
	Drive Motor	4 HP DC
	Reversible Deck	Standard
	Impact System	True Soft Select (Adjustable)
	Belt	Orthopedic
	Roller Diameter	3"/7.62 cm
	Frame Construction	Robotically Welded Heavy-Gauge Steel
	Speed Range	0.5 to 12.0 MPH / 0.8 to 19.3 KMH
	Incline Range	0% to 15%
	Quick Access	Quick Speed & Quick Incline Keys
	Handrail Design	Protective Foam Flared Handrails
	Straddle Cover	Oversized Aluminum with Black Finish
	Contact Heart Rate Monitoring	Standard
	Wireless Heart Rate Monitoring	Polar® Compatible, Bluetooth
	Connectivity	Wahoo Fitness RunFit App Tracking
	CONSOLE	Display
Workouts		Quick Start, Manual, Hill Intervals, Rolling Hills, Cardio Challenge, Walk and Run Intervals, Speed Intervals, 5K, 10K, Half Marathon (13.1 mi/21.1 K) Cruise Control, HRC Target, Last 10 Workouts
Saved Workouts		Console Saves last ten workouts
Six (6) User Profiles		Up to Six (6) Saved Workouts Each - if activated
SAFETY	Safety Clip	Standard
	Extended Handrails	Standard
REGULATORY APPROVALS		ETL UL1647, CSA, FCC
EXTRAS	Accessories	Water Bottle Holder (2), Accessory Tray, Over-molded Tablet Holder, Polar® HR Strap
PHYSICAL SPECIFICATIONS	Footprint	79" L x 31.5" W x 55.9"H ( 200 cm x 80 cm x 142 cm)
	Running Surface	60" L x 21" W / 152 cm x 53 cm
	Machine Weight	330 lbs / 150 kg
	Maximum User Weight	350 lbs / 159 kg
	Step-Up Height	6.25" / 116 cm
	Portability	Two (2) Front Transport Wheels
WARRANTY	Warranty Type	Residential
	Frame	Lifetime
	Motor	30 Years
	Parts	10 Years
	Labor	1 Year

Warranties outside the U.S. and Canada may vary - Please contact your dealer for details. Specifications subject to change without notice.





# CHAPTER 7: ADDITIONAL INFORMATION



## RESIDENTIAL LIMITED WARRANTY PS800 TREADMILLS

Save time and register online!  
Activate Multiple Warranties at [truefitness.com](http://truefitness.com).

All TRUE® Fitness products are distributed by TRUE and are warranted to the original registered Product purchaser and the parts of the TRUE product (the "Product") listed below, under normal use and service, shall be free of manufacturing defects in workmanship and materials only for the period of time beginning from the original date of purchase set forth below:

Frame*	Lifetime
Drive Motor	30 Years
<b>Parts</b>	
Electrical	10 Years
Wear Items	10 Years
Cosmetics	6 Months
<b>Labor</b>	
Parts	1 Year
Motor	1 Year
Cosmetics	6 Months
<b>Device Connectivity</b>	
Headphone Jack & USB Port	90 Days Parts, No Labor

**NOTE: Warranty valid for USA and Canada only.**  
**NOTE: Failure to register this product will result in no servicing or authorization of parts to be shipped.**  
**NOTE: Buying after-market products from a 3rd party will result in voided warranty.**  
**NOTE: This product is intended for Residential use. If this product will not be used in this particular setting, please contact TRUE as its warranty is void.**

### Frame

The frame is warranted for defects in material and workmanship for as long as the original purchaser owns the Product. The frame is warranted for labor and freight (for part shipped from TRUE) for one year from date of purchase. \* This limited warranty on structural frame does not include paint or coatings.

### Drive Motor

The treadmill drive motor is warranted for defects in material and workmanship for 30 years with a one year labor warranty. This limited warranty does not cover damage or equipment failure resulting from or caused by improper assembly/installation, failure to follow instructions and warnings in owner's manual, accident, misuse, abuse, unauthorized modification, or failure to provide reasonable and necessary maintenance.

### Parts

The treadmill electrical parts and wear items are warranted for defects in material and workmanship for ten years with one year labor warranty. This limited warranty does not cover damage or equipment failure resulting from or caused by improper assembly/installation, failure to follow instructions and warnings in owner's manual, accident, misuse, abuse, unauthorized modification, or failure to provide

reasonable and necessary maintenance. This limited warranty will apply to but may not be limited to the treadmill elevation motor, upper control board, deck, running belt and drive belt. \*TRUE Fitness shall not warrant the performance of the heart rate system on its products, as the heart rate system performance varies, based on user's physiology, age, method of use and other factors. \*This limited warranty shall not apply to Software version upgrades.

### Cosmetics

The treadmill cosmetic parts are warranted for defects in material and workmanship for six months with labor warranty to match the parts warranty period. This limited warranty does not cover damage or equipment failure resulting from or caused by improper assembly/installation, failure to follow instructions and warnings in owner's manual, accident, misuse, abuse, unauthorized modification, or failure to provide reasonable and necessary maintenance. This limited warranty will apply to but may not be limited to paint/coatings, covers/caps, badges, overlays, safety key and straddle covers.

### Device Connectivity

Device Connectivity elements; headphone jack and USB Port are warranted for defects in material and workmanship for 90 days with no labor warranty.

### Labor

Labor is covered for a period of one year from the date of purchase unless otherwise expressed within this limited warranty as long as a TRUE authorized service provider performs the service. Service that requires over 50 miles of travel may be subject to additional charges. Reasonable and necessary maintenance includes proper lubrication of the running deck and tread belt area as specified in the owner's manual.

**Claims Procedure:** TRUE Limited Warranty service may be obtained by contacting the authorized TRUE dealer from whom the Product was purchased. If the dealer from whom the Product was purchased is no longer an authorized TRUE dealer, then TRUE Limited Warranty service may be obtained by contacting TRUE directly at:

TRUE Fitness, Service Department  
865 Hoff Road, St. Louis, MO 63366  
1-800-883-8783, (Hours of operation 8:30am - 5:00 pm CST)

[truefitness.com](http://truefitness.com) / 800.426.6570 / 1.636.272.7100

# CHAPTER 7: ADDITIONAL INFORMATION



## RESIDENTIAL LIMITED WARRANTY PS800 TREADMILLS

Save time and register online!  
Activate Multiple Warranties at [truefitness.com](http://truefitness.com).

The above Limited Warranty is subject to and will be in accordance with the conditions set forth below:

- 1. THIS LIMITED WARRANTY GIVES YOU SPECIFIC LEGAL RIGHTS AND YOU MANY ALSO HAVE OTHER RIGHTS, WHICH VARY FROM STATE TO STATE.**
2. This Limited Warranty can be processed only if the Warranty Registration Form is completed on-line; or if the attached form is filled in, signed by the original purchaser and mailed to TRUE within 30 days of purchaser's receipt of this Product. The serial number must be intact on the Product for this Limited Warranty to be valid.
3. This Limited Warranty applies to the product only while the Product remains in the possession of the original purchaser and is not transferable.
4. This Limited Warranty becomes VALID ONLY if the Product is initially assembled/installed by a TRUE authorized dealer/ technician (if anyone other than a TRUE authorized dealer/ technician initially assembles and installs the Product, this Limited Warranty will be void unless the written authorization of TRUE is first obtained).
5. This Limited Warranty does not cover damage or equipment failure resulting from or caused by improper assembly/ installation, failure to follow instructions and warnings in owner's manual, accident, misuse, abuse, unauthorized modification, or failure to provide reasonable and necessary maintenance (as referenced in the owner's manual.)
6. This Limited Warranty applies only to the cost of repair or replacement of parts and does not include labor (beyond the above warranty period), transportation, service, return and freight charges associated therewith except as expressly specified herein.
7. This Limited Warranty shall not apply to: Service calls to correct installation of the equipment or instruction to owners on how to use the equipment; or any labor costs incurred beyond the applicable labor warranty period.
8. This Limited Warranty, which is given expressly and in lieu of all other express warranties, constitutes the only warranty made by TRUE.
9. **ANY IMPLIED WARRANTY, INCLUDING WITHOUT LIMITATION THE WARRANTIES OF MERCHANTABILITY AND FITNESS FOR A PARTICULAR PURPOSE, IS LIMITED IN DURATION AND REMEDY TO THE TIME PERIOD COVERED BY THE LIMITED WARRANTY. SOME STATES DO NOT ALLOW LIMITATIONS ON HOW LONG AN IMPLIED WARRANTY LASTS, SO THE ABOVE LIMITATION MAY NOT APPLY TO YOU.**
10. **THE REMEDIES DESCRIBED ABOVE ARE YOUR SOLE AND EXCLUSIVE REMEDIES AND TRUE'S ENTIRE LIABILITY FOR ANY BREACH OF THIS LIMITED WARRANTY. TRUE'S LIABILITY SHALL UNDER NO CIRCUMSTANCES EXCEED THE ACTUAL AMOUNT PAID BY YOU FOR THE PRODUCT, NOR**

**SHALL TRUE UNDER ANY CIRCUMSTANCES BE LIABLE FOR ANY CONSEQUENTIAL, INCIDENTAL, SPECIAL OR PUNITIVE DAMAGES OR LOSSES, WHETHER DIRECT OR INDIRECT. SOME STATES DO NOT ALLOW THE EXCLUSION OR LIMITATION OF INCIDENTAL OR CONSEQUENTIAL DAMAGES, SO THE ABOVE LIMITATION OR EXCLUSION MAY NOT APPLY TO YOU.**

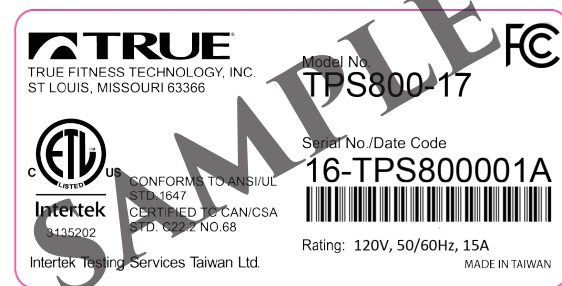
**NOTE TO AUTHORIZED WARRANTY LABOR PROVIDERS:** Warranty labor reimbursement or warranty parts rights may not be transferred to, reassigned to, a third party without the express written consent of TRUE. Even jobbing out warranty labor requires TRUE's written approval.

**PLEASE RETAIN THIS PORTION FOR YOUR RECORDS**

**SERIAL NUMBER:**



**SAMPLE SERIAL NUMBER LABEL:**



[truefitness.com](http://truefitness.com) / 800.426.6570 / 1.636.272.7100

# CHAPTER 7: ADDITIONAL INFORMATION



## RESIDENTIAL LIMITED WARRANTY PS800 TREADMILLS

Thank you for purchasing a TRUE product. To validate the TRUE product warranty the fast and easy way, please go on-line now to [www.truefitness.com](http://www.truefitness.com) and register your product. The information you provide will never be distributed to any other individuals or agencies for any purpose. If you prefer to mail your warranty card, have the owner of the product complete the information below and return it to TRUE Fitness within 30 days from the date of equipment installation.

To mail your warranty information, please fill in the information below and mail to: Service Dept., TRUE Fitness, 865 Hoff Road, St. Louis, MO 63366 (or save postage and register online at [www.truefitness.com](http://www.truefitness.com))

### Residential Warranty Registration

Model Type:  Treadmill  Elliptical  Bike

Other \_\_\_\_\_

Date of Purchase \_\_\_\_\_

Purchased From (dealer name) \_\_\_\_\_

First Name \_\_\_\_\_

Last Name \_\_\_\_\_

Address \_\_\_\_\_

City \_\_\_\_\_ State \_\_\_\_\_ ZIP \_\_\_\_\_

Email Address \_\_\_\_\_

Phone \_\_\_\_\_

1. Where did you first learn about TRUE?

- a. Dealer  b. Website  
 c. Referral  d. Gym/Club  
 e. Current Customer  f. Other \_\_\_\_\_

2. The primary user(s) is:

- a. Male  b. Female  
 c. Both

3. Do you currently belong to a health club?

- a. Yes  b. No

4. Your age group:

- a. Under 25  b. 25-35  
 c. 36-45  d. 46-55  
 e. 56-65  f. 65+

5. What was the primary reason you bought a TRUE product? (Check only one)

- a. Design/Appearance  b. Dealer  
 c. Price  d. Ease of Operation  
 e. Quality of Construction  f. Size  
 g. Reputation  h. Warranty  
 i. Friend/Family Recommendation

6. Do you plan to purchase more fitness equipment in the next 6-12 months?

- Yes  No

7. If you answered "yes" to question 6, what type do you plan to purchase?

- a. Treadmill  b. Elliptical  
 c. Stationary Bike  d. Free Weights  
 e. Gym  c. Other \_\_\_\_\_

8. What is your annual household income? (Optional)

- a. Under \$50,000  
 b. \$50,000 - \$75,000  
 c. \$75,000 - \$100,000  
 d. \$100,000 - \$150,000  
 e. \$150,000+

9. You are a valued customer of TRUE and your suggestions allow us to continually improve your experience. Is there anything else you would like us to know? Please explain:

#### SERIAL NUMBER:

[truefitness.com](http://truefitness.com) / 800.426.6570 / 1.636.272.7100

# APPENDIX A

## TRUE Fitness – Data Connectivity Powered by Wahoo:

Your TRUE cardio equipment comes equipped with Wahoo's SMART technology.

Now you can stay connected to your workout with Wahoo's RunFit App and get the results of your workout instantly on your smartphone.

Get started with three easy steps...

### 1. Download Wahoo's Runfit App



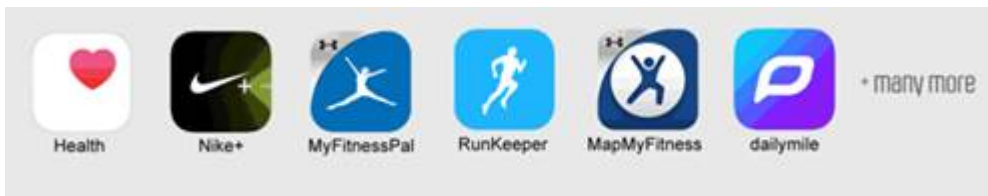
Wahoo's popular RunFit app gives you the ability to capture, analyze and share performance data generated during your workout. Wahoo's RunFit app can be downloaded from the App Store and Google Play.

### 2. Connect

Choose "Connect to Treadmill" when starting to record your run.

### 3. Share

After your workout, post your results to your favorite fitness site.



Health and fitness apps are growing 87% faster than any other app category

Yet most fitness machines still lack wireless communication technology and cannot share data with mobile devices

Source: <http://www.wahoogym.com/>

List of apps from my phone (via RunFit):

Heart Health  
Nike+  
Strava  
Connect  
TrainingPeaks  
RunKeeper  
Map My Fitness  
Magellan Active  
My Fitness Pal  
dailymile  
Dropbox  
Mail  
iTunes

List of additional apps from <http://www.wahoofitness.com/apps>:

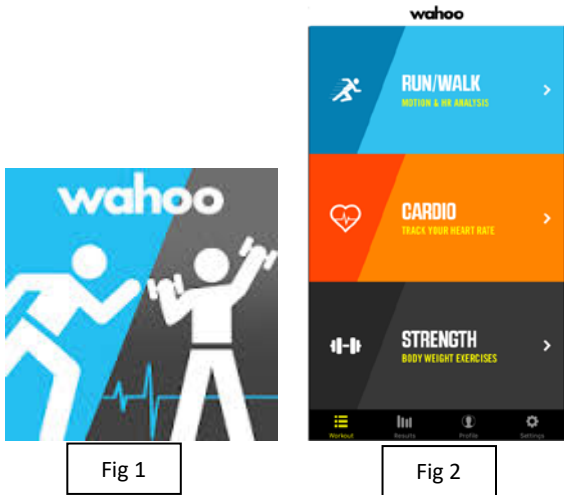
Map My Run  
Map My Walk  
Zwift  
Map My Ride  
Running and Walking with Endomondo  
Calorie Counter & Diet Tracker by My Fitness Pal  
Pear Personal Coach

Export in .tcx, .gpx, .pwx, .csv, .wf, PDF

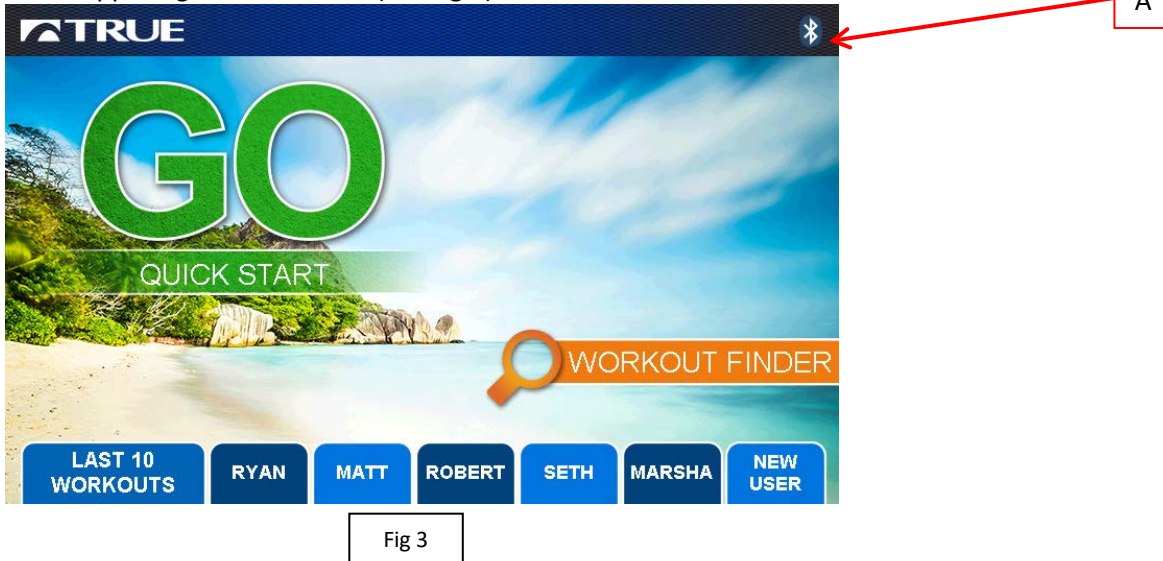
# APPENDIX A

## TRUE Residential Touchscreen detailed iPhone instructions:

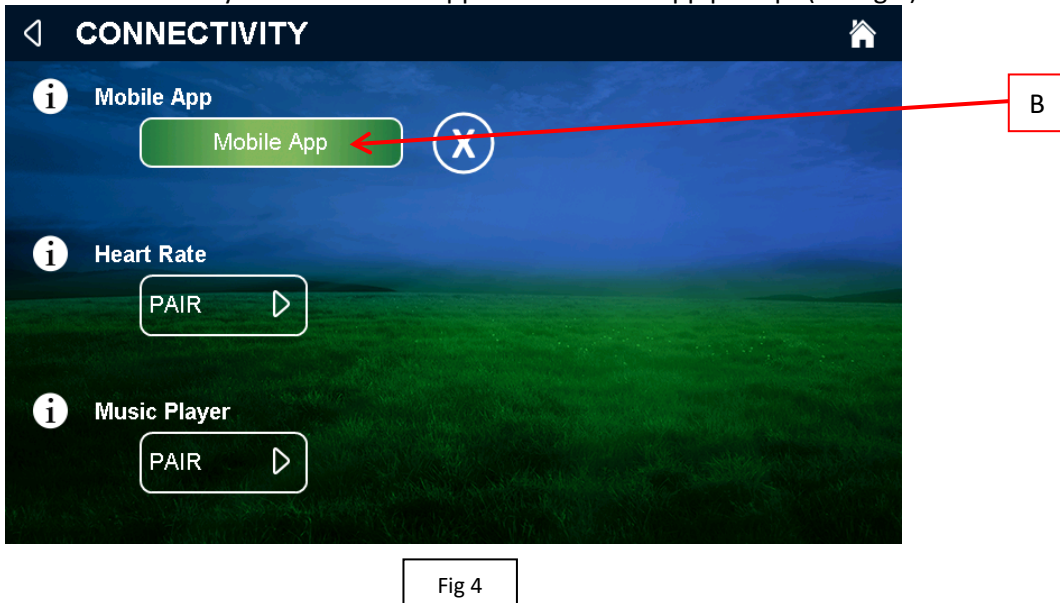
Start with the Wahoo RunFit Fitness app open on your smartphone/device (Fig 2)



From the Home Screen of the TRUE Fitness Performance treadmill– touch the Bluetooth logo in the upper right-hand corner (A – Fig 3)



Under Connectivity – touch Mobile App Under Mobile App prompt (B - Fig 4)





# APPENDIX A

You will be prompted to connect to a unique pairing code (C – Fig 5)

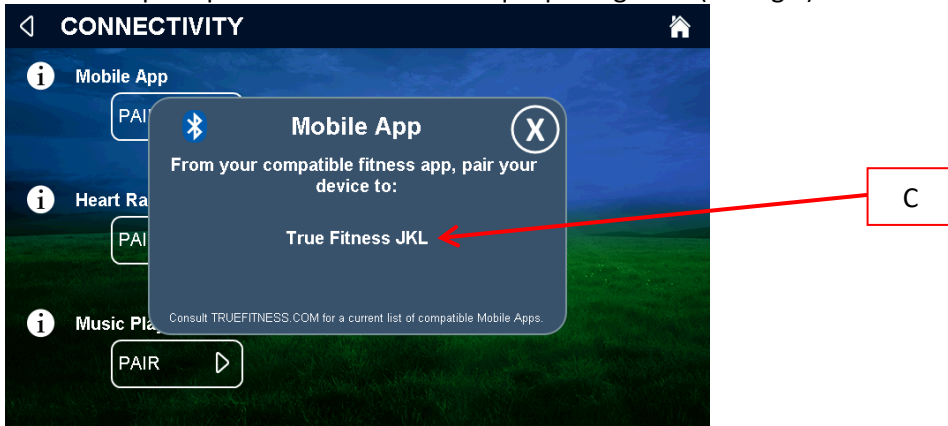


Fig 5

If the code on your console and App match, please touch the blue connect button (D – Fig 6) on your smartphone/device

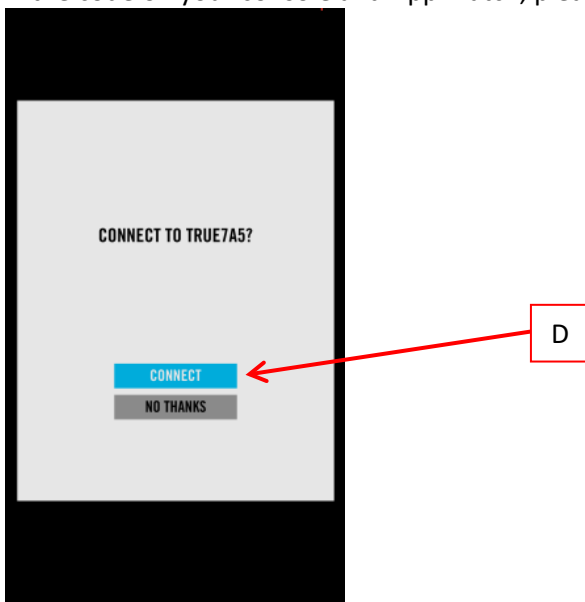


Fig 6

Click Home (E – Fig 7) on the treadmill console and start your workout – either Quick Start or Find Workout

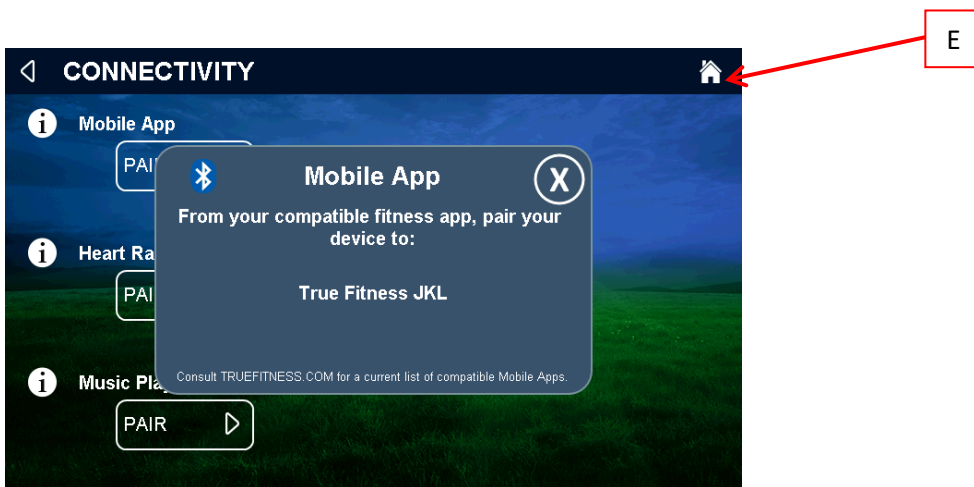
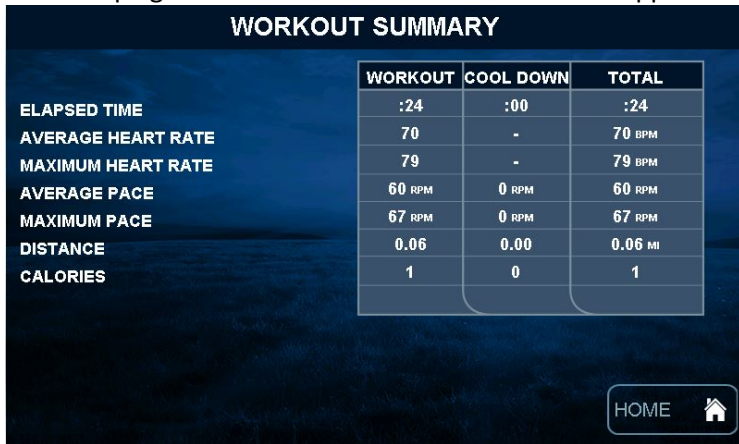


Fig 7

# APPENDIX A

Upon completion of workout – Press Stop on the center console to Pause the workout. Press Stop again to end the workout. Your data will appear on the screen (Fig 8).



	WORKOUT	COOL DOWN	TOTAL
ELAPSED TIME	:24	:00	:24
AVERAGE HEART RATE	70	-	70 BPM
MAXIMUM HEART RATE	79	-	79 BPM
AVERAGE PACE	60 RPM	0 RPM	60 RPM
MAXIMUM PACE	67 RPM	0 RPM	67 RPM
DISTANCE	0.06	0.00	0.06 MI
CALORIES	1	0	1


HOME 

Fig 8

When the workout is complete you will have the option to Save or Discard the data on your smartphone/device (Fig 9). If you choose to discard, the information will be deleted.

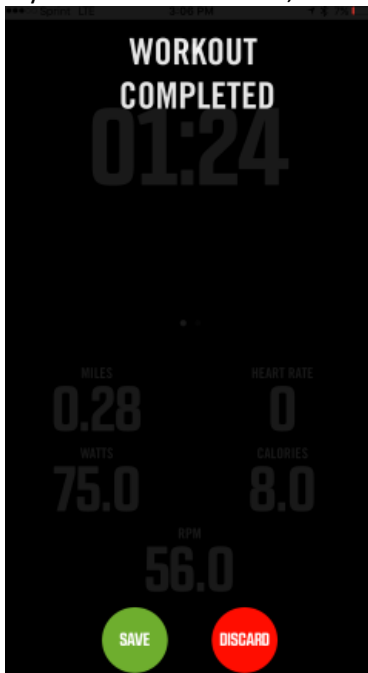


Fig 9

If you elect to save your workout your data will go into the Results section of your Wahoo Fitness RunFit app. Choose the workout you wish to share (Fig 10). You will be taken to a results page (Fig 11) where you can see details of your workout. From there, you can click on the share option in the top right corner of your iPhone (Circled on Fig 11) where you will be taken to a page with multiple sharing options (Fig 12) – including Email, iTunes and the various apps listed above if they are on your device.

# APPENDIX A

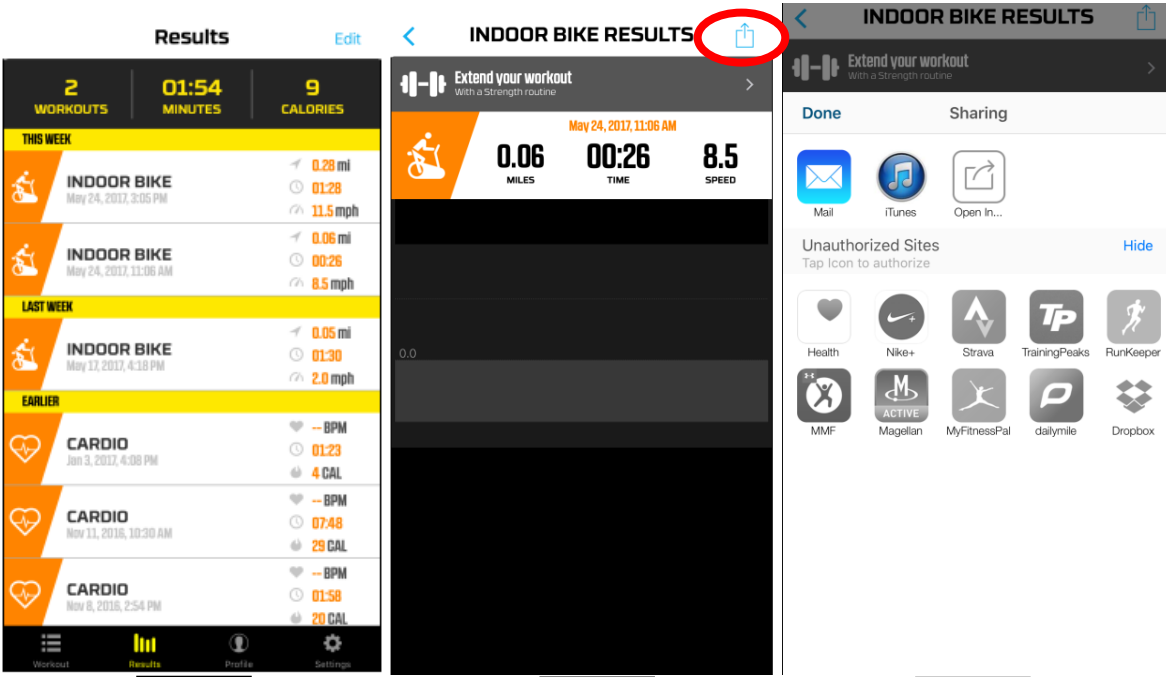


Fig 10

Fig 11

Fig 12

## TRUE Residential Touchscreen detailed Android instructions:

Start with the Wahoo RunFit Fitness app open on your smartphone/device (A – Fig 2)

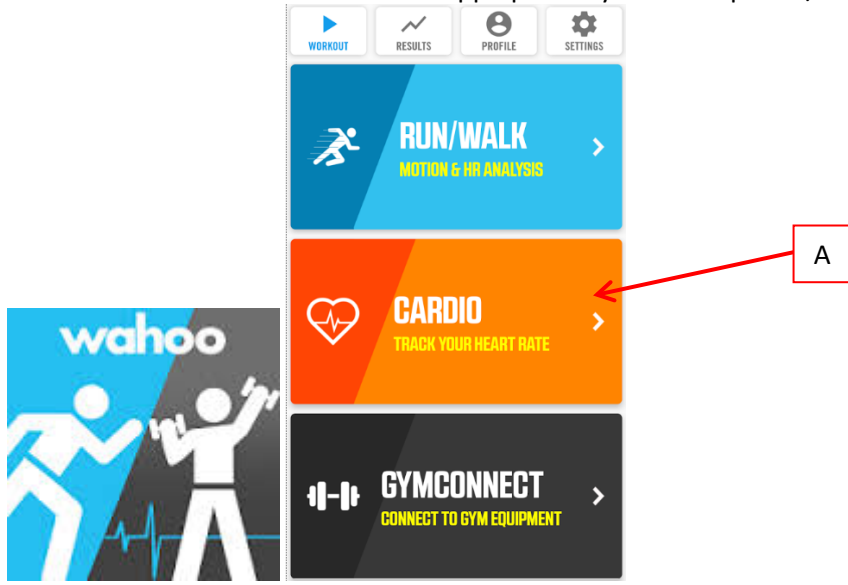


Fig 1

Fig 2

On your Device:

Click on Cardio – Track Your Heart Rate option and select the TRUE product you are using (B – Fig 3) – Treadmill, Indoor Bike or Elliptical.

# APPENDIX A

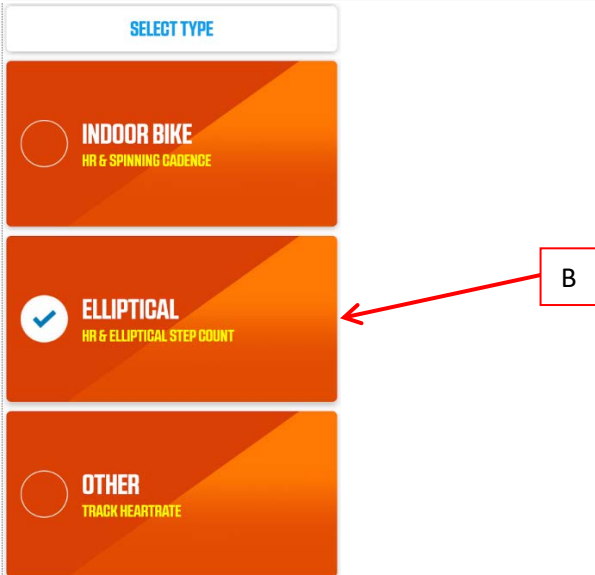


Fig 3

On the Home Screen of the TRUE Fitness Performance treadmill– touch the Bluetooth logo in the upper right-hand corner (C – Fig 4).

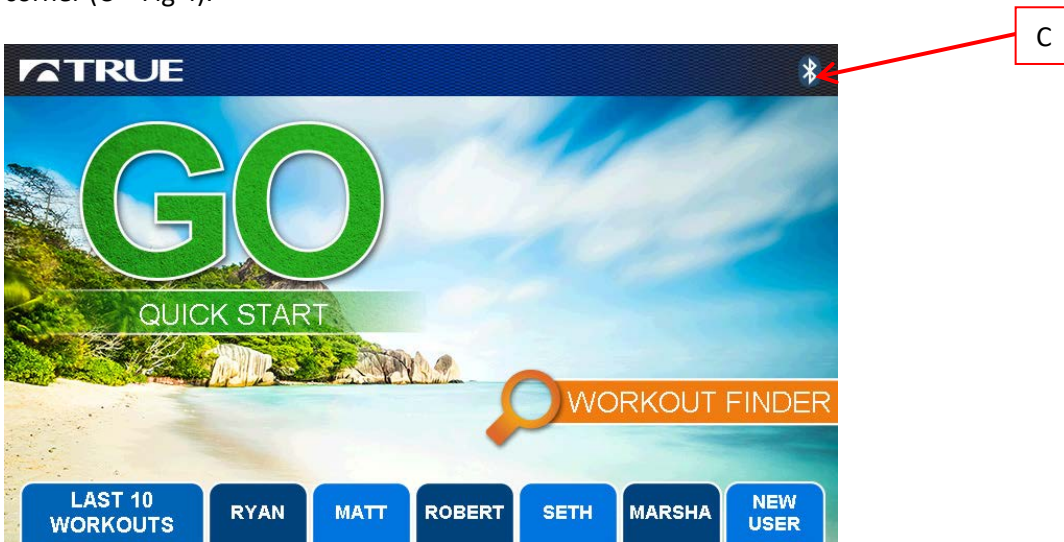


Fig 4

Under Connectivity – touch PAIR under Mobile App (D – Fig 5)



Fig 5

# APPENDIX A

You will be prompted to connect to a unique pairing code (E – Fig 5 and 5A). The code must match to sync your device with the console you are using.

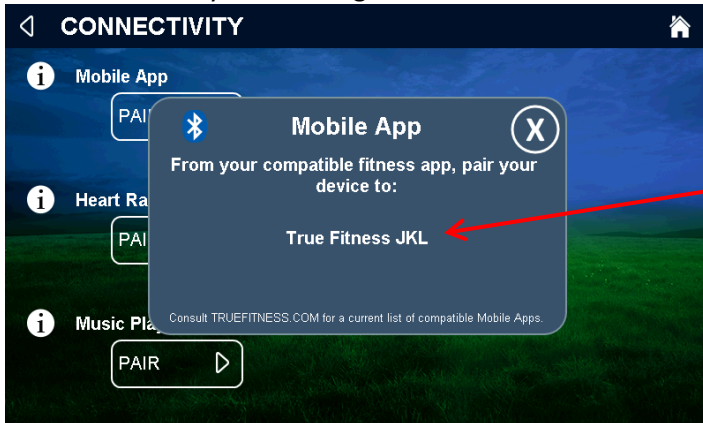


Fig 5

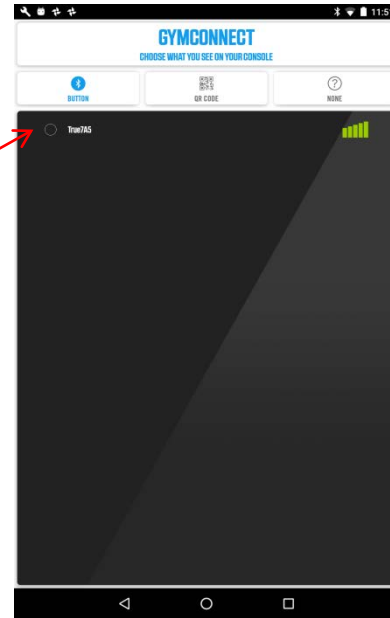


Fig 5A

Touch connect on your smartphone/device

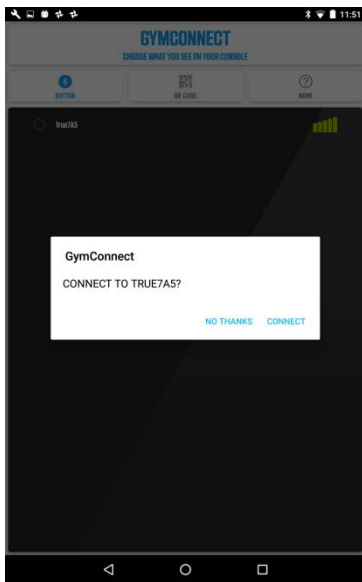


Fig 6



# APPENDIX A

Phone may search for Bluetooth code for a moment. Once it says Connected, please click Home (G – Fig 7) on the treadmill console and start your workout – either Quick Start or Find Workout.

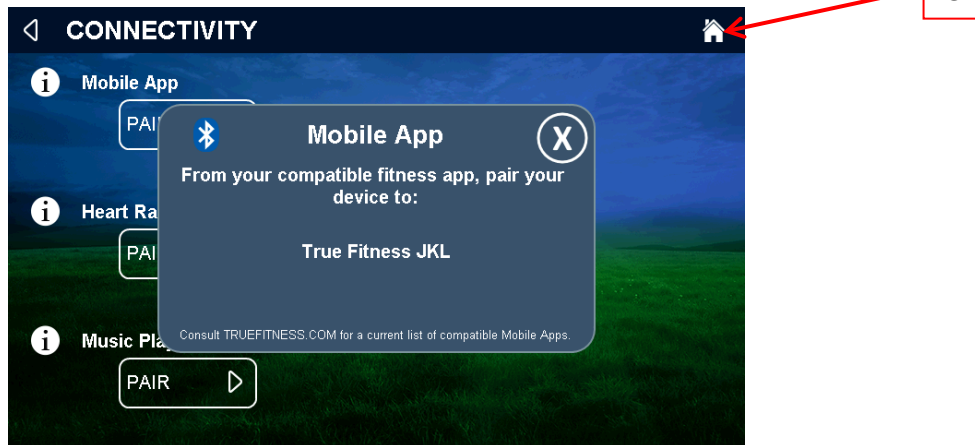


Fig 7

During your workout you have two screens you can view with different data (Fig 8 and Fig 9). You can swipe back and forth between these displays.

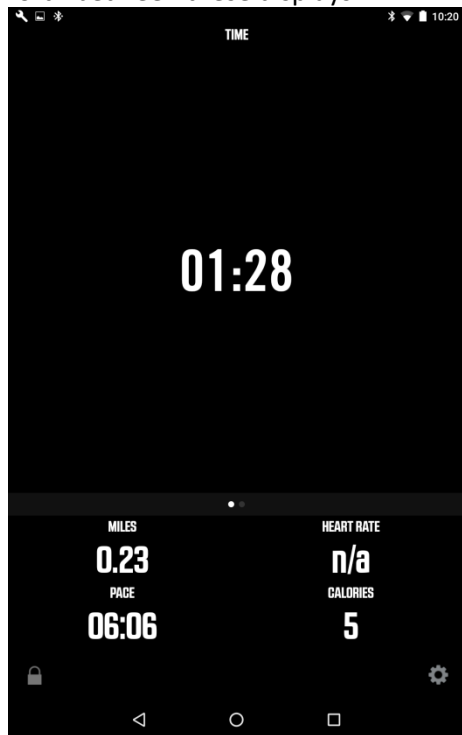


Fig 8

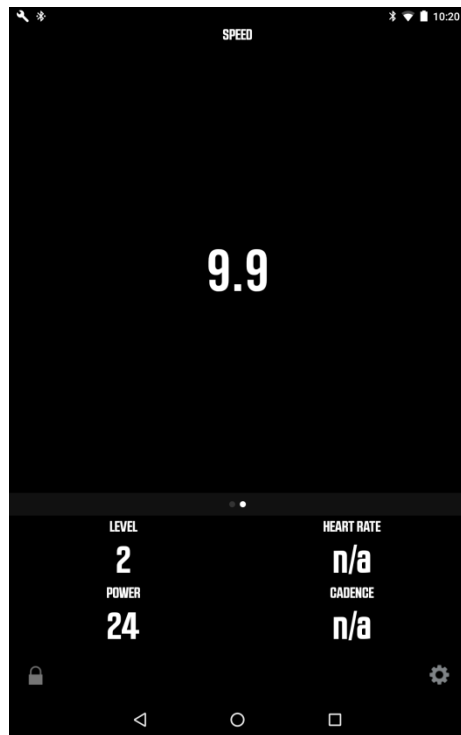


Fig 9

Upon completion of workout – Press Stop on the center console to Pause the workout. Your screen will look like Fig 10.

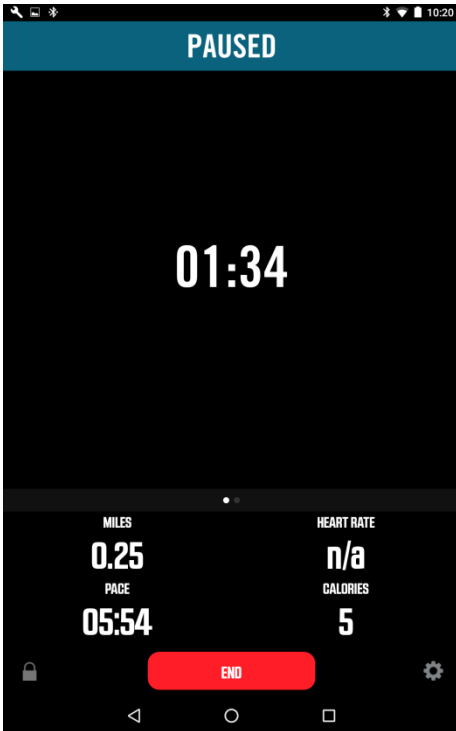


Fig 10

Press Stop again to end the workout. Your data will appear on the console screen as shown in Fig 11.

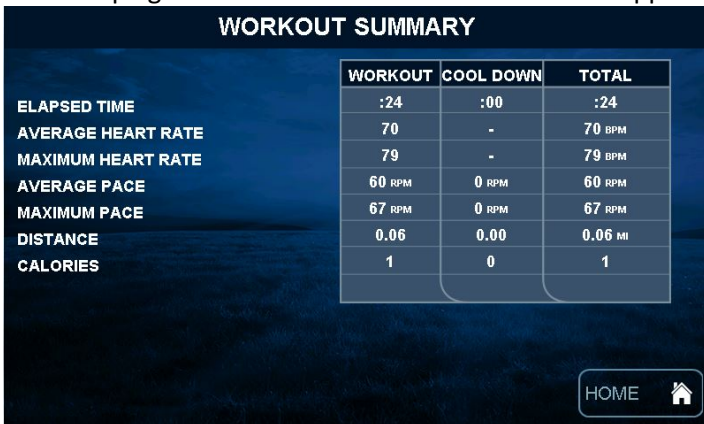


Fig 11

When the workout is complete you will have the option to Save or Discard the data on your smartphone/device (Fig 12). If you choose to discard, the information will be deleted.

# APPENDIX A

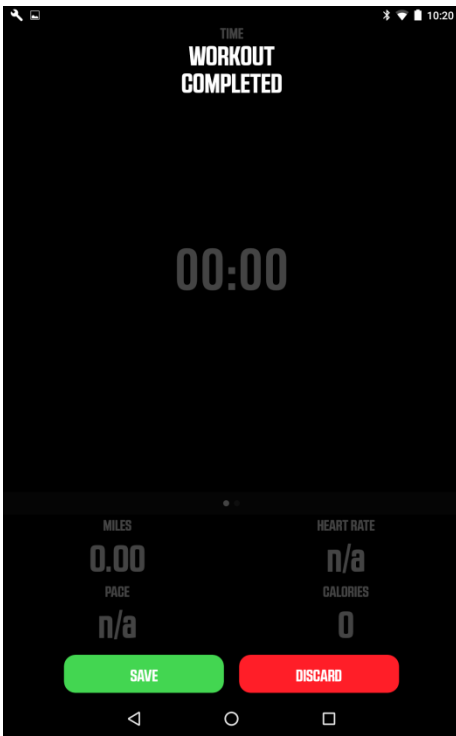


Fig 12

If you elect to save your workout your data will go into the Results section of your Wahoo Fitness RunFit app. Choose the workout you wish to share. You will be taken to a results page where you can see details of your workout (Fig 13).

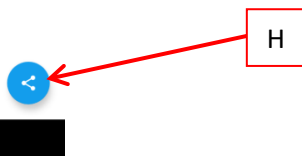
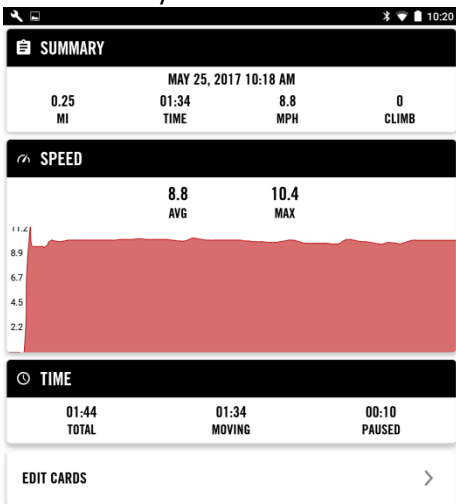


Fig 13

From there, you can click on the share option in the bottom-right corner (H – Fig 13) of your Android device where you will be taken to a page with multiple sharing options – including Email and the various apps listed above if they are on your device.

# APPENDIX A

## Optimizing connectivity

Follow the below steps in the following order for optimal connectivity:

1. Connect your heart rate (HR) monitor via the Kilohertz (kHz) connection.
2. Connect your audio on the iPhone or Android device to the TRUE console via Bluetooth.
3. Connect your Wahoo RunFit app to the TRUE console via your device's Bluetooth.

## Connecting to an external Bluetooth HR monitor (For iPhone and Android devices)

If your external Bluetooth device is connected to the RunFit app on your iPhone or Android device, you will not be able to connect the device to the TRUE console directly during the workout. The workout data from the Bluetooth HR device will display on the TRUE console after being routed through the iPhone or Android device if the iPhone or Android device is connected to the TRUE console via Bluetooth.

If your Bluetooth Heart Rate device is connected to the TRUE console, you will not be able to connect to the RunFit app on your iPhone or Android device.

Note: If your iPhone or Android device has Bluetooth capability, then you can connect your iPhone or Android device to the TRUE console via Bluetooth and also connect the Bluetooth HR device to the RunFit app on your iPhone or Android device via Bluetooth.