



* Assembly Guide & Warranty Card Included

PS50 RECUMBENT BIKE OWNER'S MANUAL



PS50 RECUMBENT BIKE OWNERS MANUAL

IMPORTANT:

All Products shown are prototype. Actual product delivered may vary.
Product specifications, features & software are subject to change without notice.
For the most up to date owner's manual please visit www.truefitness.com.
For documents in additional languages please visit www.truefitness.com/document-library/29/international-manuals

IMPORTANTE:

Todos los productos mostrados son prototipos. La realidad el producto suministrado puede diferir.
Especificaciones de productos, características y software están sujetas a cambios sin previo aviso.
Para la más actualizada de este manual del propietario, por favor visite www.truefitness.com
Para los documentos en otros idiomas, por favor visite www.truefitness.com/document-library/29/international-manuals

IMPORTANT:

Tous les produits présentés sont prototype. Le produit réel livré peut varier.
Spécifications du produit, caractéristiques et logiciels sont sujettes à modification sans préavis.
Pour la plus à jour le manuel du propriétaire s'il vous plaît visitez www.truefitness.com.
Pour documents dans des langues supplémentaires, veuillez www.truefitness.com/document-library/29/international-manuals de visite

重要提示：

显示所有产品的原型。实际交付的产品可能有所不同
产品规格，功能和软件如有更改，恕不另行通知
迄今为止对于大多数的使用说明书，请访问www.truefitness.com
对于其他语言的文档，请访问www.truefitness.com/document-library/29/international-manuals

هام:

جميع المنتجات المعروضة هي النموذج. قد تختلف المنتج الفعلي تسليمها.
مواصفات المنتج، والميزات والبرامج قابلة للتغيير دون إشعار.
www.truefitness.com ما يصل حتى الآن دليل المالك يرجى زيارة
www.truefitness.com/document-library/29/international-manuals للمستندات في لغات إضافية، يرجى زيارة

WICHTIG:

Alle hier gezeigten Produkte sind Prototypen. Das tatsächliche Produkt ausgeliefert wird, kann variieren.
Produkt-Spezifikationen, Funktionen und Software können sich ohne vorherige Ankündigung ändern.
In den meisten Fällen bis zu Bedienungsanleitung Bisher besuchen Sie bitte www.truefitness.com.
Für Dokumente in weiteren Sprachen finden Sie unter www.truefitness.com/document-library/29/international-manuals

BELANGRIJK:

Alle getoonde producten zijn prototype. Daadwerkelijke product geleverd kan verschillen.
Product specificaties, eigenschappen & software zijn onderhevig aan verandering zonder kennisgeving.
Voor de meest actuele handleiding van de eigenaar kunt u terecht www.truefitness.com.
Voor documenten in andere talen kunt u terecht op www.truefitness.com/document-library/29/international-manuals

ВАЖНО:

Все товары указаны прототипа. Фактический продукт, поставляемый могут отличаться.
Технические характеристики, особенности и программного обеспечения могут быть изменены без предварительного уведомления.
Для получения самой последней на сегодняшний день руководство по эксплуатации пожалуйста, посетите www.truefitness.com.
Для документов на другие языки, пожалуйста, посетите www.truefitness.com/document-library/29/international-manuals

PS50 RECUMBENT BIKE OWNERS MANUAL

Frank Trulaske, founder and CEO of TRUE, has had the same simple philosophy of delivering superior products, service and support for over 30 years. Today, TRUE is the global leader in premium cardio equipment for the commercial and residential markets. Our goal is to be the leader in technology, innovation, performance, safety and style. TRUE has received many awards for its commercial and retail product over the years and remains the benchmark for the industry. Fitness facilities and consumers invest in TRUE products for their durable commercial platforms used in all its cardio products, both commercial and residential alike.

The proud manufacturing tradition of quality and the culture of innovation at TRUE have given rise to a full line of truly extraordinary treadmills, indoor cycles and elliptical cross-trainers. As a result, people all over the world are benefiting from the TRUE experience. Innovation across the full product line has made TRUE successful and is a trademark of the TRUE heritage. TRUE's patented Heart Rate Control® technology is just one of the remarkable ways we deliver simple and superior performance every user can enjoy, and most importantly, use to achieve personal health and fitness goals.

TRUE strives to perfect biomechanically correct and orthopedically comfortable, functional products. Whether it be the mesh seat in the recumbent bike, the Soft Step® in the elliptical cross-trainers or the Soft System® in our treadmills, we deliver the best.

At the heart of our success is the relentless and systematic life testing of both our products and their components. We have dedicated employees who understand our philosophy is to deliver the best products in the world.

Our goal is not to sell the most cardio products in the world, but to deliver the world's best premium equipment for our customers' health and fitness solutions.

To own a TRUE machine is to be part of an exclusive fitness community that delivers results – your results.

Thank you for becoming a part of the TRUE experience.

PS50 RECUMBENT BIKE OWNERS MANUAL

TABLE OF CONTENTS:

Chapter 1: Safety Instructions

Safety Instructions.....	1
Space Requirements.....	3
Grounding Instructions.....	3
Power Requirements.....	5
Warning Decals.....	6
Compliances.....	6

Chapter 2 Assembly Instructions

Pre-Assembly Checklist.....	7
Assembly Steps.....	9

Chapter 3: Product Overview

Bike Overview.....	14
--------------------	----

Chapter 4: Programming & Operation

Heart Rate Monitoring.....	16
Heart Rate Control.....	16
Console Overview.....	18
Program Descriptions.....	20
Advanced Console Functions.....	22

Chapter 5: Care & Maintenance

Care & Maintenance.....	23
Cleaning the Equipment.....	23
Other Scheduled Preventive Maintenance.....	24
Long Term Storage.....	24

Chapter 6: Customer Service

Contacting Service.....	25
Contacting Sales.....	25
Reporting Freight Claims or Parts Damage.....	26

Chapter 7: Additional Information




Troubleshooting.....	27
Specification Sheet.....	29
Warranty Information.....	31

CHAPTER 1: SAFETY INSTRUCTIONS








IMPORTANT SAFETY INSTRUCTIONS

SAVE THESE SAFETY INSTRUCTIONS


This bike is intended for in-home use only; do not use this bike in a commercial or institutional setting. Doing so may void the expressed warranty.

-  WARNING: All EXERCISERS MUST READ ALL INSTRUCTIONS BEFORE USING THE BIKE.
-  WARNING: Heart rate monitoring systems may be inaccurate for some individuals. Over-exercising may result in serious injury or death. If you feel faint, stop exercising immediately.
-  WARNING: Equipment should be immediately taken out of use if it fails to work properly or when a warning is presented electronically.

TRUE STRONGLY recommends seeing a physician for a complete medical exam before undertaking an exercise program, particularly if the user has a family history of high blood pressure or heart disease, is over the age of 45, smokes, has high cholesterol, is obese or has not exercised regularly in the past year. Additionally, TRUE recommends consulting a fitness professional on the correct use of this product. If at any time while exercising the user experiences faintness, dizziness, pain or shortness of breath, he or she must stop immediately.

-  WARNING: To reduce the risk of electrical shock, always unplug this TRUE product before cleaning or attempting any maintenance activity. Do not handle the plug with wet hands.
-  WARNING: To reduce the risk of burns, fire, electric shock or injury, it is imperative to connect each product to a properly grounded 110V electrical outlet. A risk of electrical shock may result from improper connection of the equipment's grounding conductor. Check with a qualified electrician if you are unsure about proper grounding techniques. Do not modify the plug provided with this product. If it will not fit an electrical outlet, have a proper outlet installed by a qualified electrician. Your TRUE Fitness product must be properly grounded to reduce risk of shock if the bike malfunctions. Your bike is equipped with an electrical cord, which includes an equipment grounding conductor and a grounding plug. The plug must be inserted into an outlet that has been properly installed and grounded in accordance with all local codes and ordinances. A temporary adapter cannot be used to connect this plug to a two-pole receptacle in North America. If a properly grounded 15 amp outlet is not available, a qualified electrician must install one.
-  WARNING: Do not move the Equipment by lifting the console. Do not use the console as a handlebar during a workout.
-  WARNING: This product contains chemicals known to the state of California to cause cancer and birth defects or other reproductive harm.
-  WARNING: Keep equipment stable on flat ground.
-  WARNING: Replace warning labels that may be worn, damaged or missing
-  WARNING: Replace any non-working or damaged components; remove the unit from service until repair is performed.

CHAPTER 1: SAFETY INSTRUCTIONS

 **WARNING:** To reduce the risk of burns, fire and electric shock or injury to persons, follow these instructions:

- This appliance should never be left unattended when plugged in.
- Do not use any type of extension cord with this product.
- Unplug it from the outlet when not in use and before any servicing.
- Do not operate the equipment while being covered with a blanket, plastic, or anything that insulates or stops airflow.

CAUTION:

- Do not use typing or web surfing features at excessive speeds. Always stabilize yourself by holding a stationary handle when using typing or web surfing features. (Varies by console option)
- Health related injuries may result from incorrect or excessive use of exercise equipment.
- Do not use the contact heart rate grips as a handlebar during a workout.
- Any changes or modifications to this equipment could void the product warranty.
- To disconnect plug remove from electrical outlet.
- Power adapter requirements for the RPS 50 are 110V AC input and 9V DC 1.5Amp output.
- Use a TRUE AC power cord or AC/DC adapter only.
- Note the plug configuration for the power adapter may vary by country.
- The batteries within self-generated equipment contain materials that are considered hazardous to the environment. Federal law requires proper disposal of these batteries.
- Position this product so the power cord plug is accessible to the user.
- Keep the power cord away from heated surfaces. Do not pull the equipment by the power cord or use the cord as a handle. Do not run the power cord along the side or under the Bike.
- If the bike power supply cord is damaged it must be replaced by the manufacturer, an authorized service agent, or a similarly qualified person to avoid a hazard.
- Do not use this product in areas where aerosol spray products are being used or where oxygen is being administered. Such substances create the danger of combustion and explosion.
- Always follow the console instructions for proper operation. Close supervision is necessary when used near children under the age of 15, or disabled persons.
- Do not use this product outdoors, near water, while wet, or in areas of high humidity including extreme temperature changes
- Never operate a TRUE product with the air openings blocked. Keep air openings free of lint, hair or any obstructing material.
- Never insert objects into any openings in this product. If an object should drop inside, turn off the power, unplug the power cord from the outlet and carefully retrieve it. If the item cannot be reached, contact TRUE Customer Service.
- Never place liquids of any type directly on the unit except in the accessory tray or bottle holders. Containers with lids are recommended.
- Wear shoes with rubber or high traction soles. Do not use shoes with heels, leather soles, cleats or spikes. Make sure no stones are embedded in the soles. Do not use this product in bare feet. Keep all loose clothing, shoelaces and towels away from moving parts.
- Do not reach into or underneath the unit, or tip it on its side during operation.
- Use correct ergonomic positioning while operating the bike.
- Do not allow animals on or near the equipment while in operation.
- Do not exceed maximum user weight of 350 lbs (159 kg).

CHAPTER 1: SAFETY INSTRUCTIONS

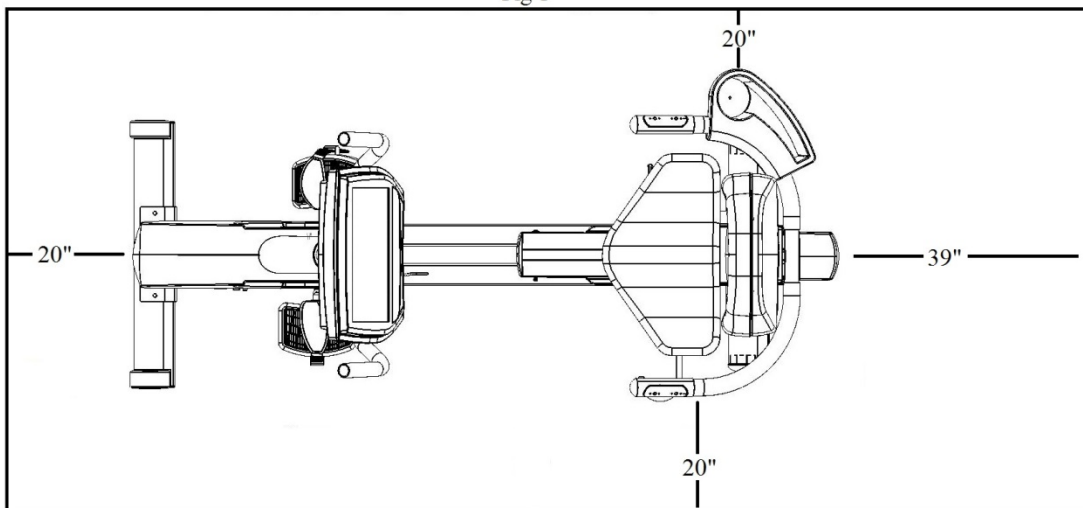
⚠ CAUTION (CONTINUED):

- Avoid exiting bike while the pedals are still in motion.
- Do not use if you have a cold or fever.
- When using this exercise machine, basic precautions should always be followed.
- Use this bike only for its intended use as described in this manual.
- Do not use attachments not recommended by the manufacturer.
- Allow only trained personnel to service this equipment.
- Avoid the possibility of bystanders being struck or caught between moving parts by making sure that they are out of reach of the bike while it is in motion.
- Allow only one person at a time on the bike while it's operating.
- It is the sole responsibility of the owner/operator to ensure regular and scheduled maintenance is performed.
- This appliance can be used by children aged from 8 years and above and persons with reduced physical, sensory or mental capabilities or lack of experience and knowledge if they have been given supervision or instruction concerning use of the appliance in a safe way and understand the hazards involved.
- Children shall not play with the appliance.
- Cleaning and user maintenance shall not be made by children without supervision.

SPACE REQUIREMENTS:

- TRUE's recommendation is to leave a 39" safety zone at rear of bike. The sides of the bike should be at least 20" away from the wall or obstructions. (See Fig 1)

Fig 1



GROUNDING INSTRUCTIONS:

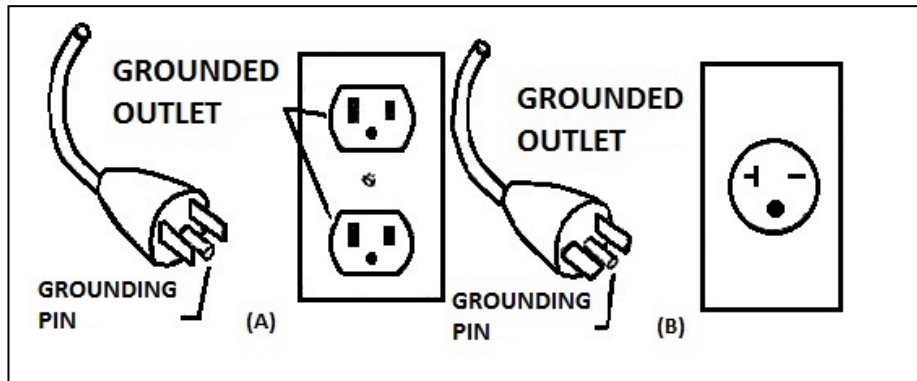
This product must be grounded, if it should malfunction or breakdown, grounding provides a path of least resistance for electric current to reduce the risk of electric shock. This product is equipped with a cord having an equipment-grounding conductor and a grounding plug. The plug must be plugged into an appropriate outlet that is properly installed and grounded in accordance with all local codes and ordinances.

CHAPTER 1: SAFETY INSTRUCTIONS

GROUNDING INSTRUCTIONS (CONTINUED):

DANGER:

- Improper connection of the equipment-grounding conductor can result in a risk of electric shock.
- Check with a qualified electrician or serviceman if you are in doubt as to whether the product is properly grounded. Do not modify the plug provided with the product – if it will not fit the outlet; have a proper outlet installed by a qualified electrician.
- Do not remove any covers or you may risk injury due to electric shock.
- The 120-V model is for use on a nominal 120-V circuit and has a grounding plug that looks like the plug illustrated in figure A. Make sure the product is connected to an outlet having the same configuration as the plug. No adaptor should be used with this product.
- The 230-V model is for use on a circuit having a nominal rating more than 120-V and is factory-equipped with a specific electric cord and has a grounding plug that looks like the plug illustrated in figure B. Make sure that the product is connected to an outlet having the same configuration as the plug in Figure B. No adaptor should be used with this product. If the product must be reconnected for use on a different type of electric circuit, the reconnection should be made by qualified service personnel.



CHAPTER 1: SAFETY INSTRUCTIONS

POWER REQUIREMENTS FOR TRUE PRODUCTS

Information Sheet 2010

NOTE: Read and understand all instructions on this sheet and in the Owner's manual before plugging any TRUE power cord into an electrical outlet. This information sheet will help you identify the voltage and cords you need where you live and will outline requirements for:

- Grounded, dedicated lines
- Voltage
- Power cords
- Power adapters
- Extension cords

!DANGER: Improper connection of the equipment-grounding conductor can result in risk of electric shock. Check with a qualified electrician or service provider if you are in doubt as to whether the equipment is properly grounded or installed on a dedicated line. Seek a qualified electrician to perform any modifications to the cord or plug. TRUE is not responsible for injuries or damages as a result of cord or plug modification.

!CAUTION: Place cords away from heat (such as baseboards). Use care to arrange any cord so it doesn't become an obstacle.

Extension Cords

Do not use an extension cord to supply power to any TRUE product.

Grounded, Dedicated Line

TRUE equipment must be grounded. If it should malfunction or break down, grounding provides a path of least resistance for electric current to reduce the risk of electric shock. TRUE cords (except for cycle adapters) have an equipment-grounding conductor and a grounding plug. The plug must be plugged into an appropriate outlet that is properly installed and grounded in accordance with all local codes and ordinances where you live. Do not use a ground plug adapter to adapt the power cord to a non-grounded outlet. Do not use a GFCI outlet or GFCI circuit breaker. A dedicated line will assure that adequate power is available for safe operation over the life of your TRUE Product.

Voltage

Voltage required for your unit is located on the serial number decal (usually on the front of the unit). Depending on where you live voltage requirements differ.

For example, in the United States some TRUE treadmills require a circuit rated 115 VAC, 60 Hz and 20 amps. See Figure 1. However, a home typically has 15 amp outlets. In this case, contact an electrician to install a 20 amp dedicated line prior to use. See Figure 2.

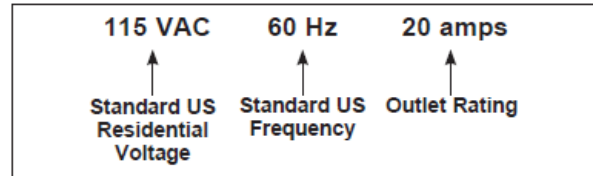


Figure 1

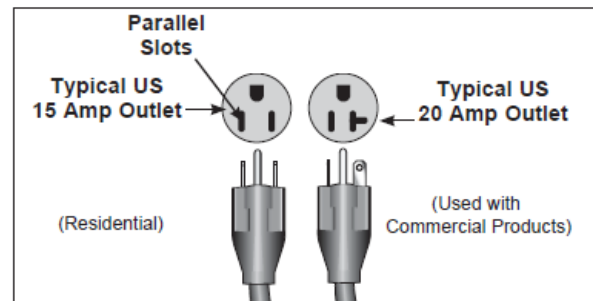


Figure 2

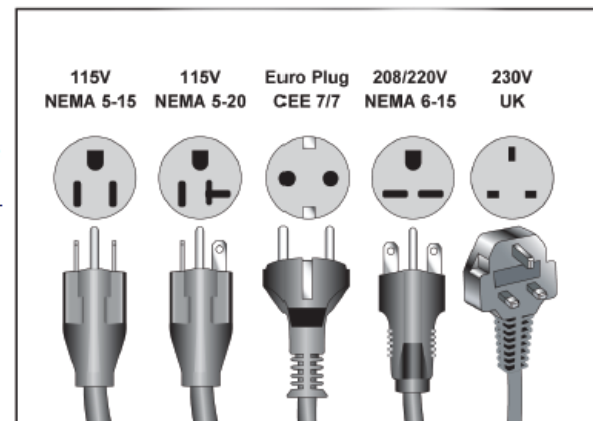



Figure 3

CHAPTER 1: SAFETY INSTRUCTIONS

WARNING DECALS:

 **WARNING:** Replace warning labels that may be worn, damaged or missing
To replace any worn or missing warning decals contact TRUE FITNESS by one of the following: www.truefitness.com or contact customer service at 800-883-8783.

Caution:

- ▶ read owner's manual before use
- ▶ consult a physician before exercising on this equipment
- ▶ stop exercising if you feel pain, faint, dizzy, or short of breath



COMPLIANCES:

This equipment complies with all applicable codes and regulations. For a complete list of compliances, please visit www.truefitness.com

CHAPTER 2: ASSEMBLY INSTRUCTIONS



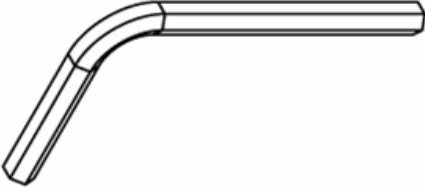
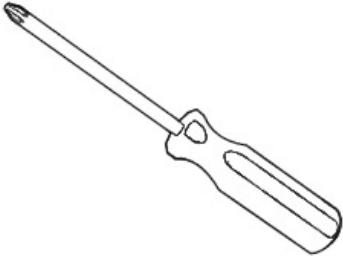
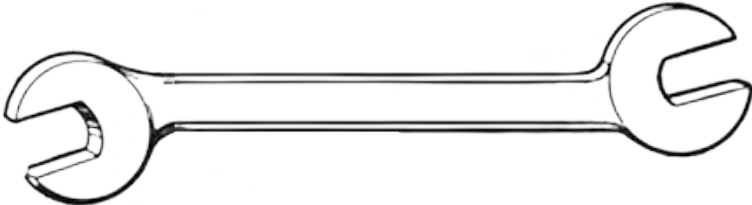
⚠ CAUTION:

- Read and understand all instructions and warnings prior to use.
- Obtain a medical exam before beginning any exercise program. If at any time during exercise you feel faint, dizzy, or experience pain, stop and consult your physician.
- Obtain proper instruction prior to use.
- Inspect the bike for incorrect, worn, or loose components and do not use until corrected, replaced, or tightened prior to use.
- Do not wear loose or dangling clothing while using bike.
- Care should be used when mounting or dismounting bike.
- Disconnect all power (if applicable) before servicing bike.
- Do not exceed maximum user weight of 350 lbs.
- Keep children and animals away.
- Use caution when moving and assembling bike.
- All exercise equipment is potentially hazardous. If attention is not paid to the conditions of equipment usage, death, or serious injury could occur.
- Save these instructions.

*Should you need technical assistance in assembly of your TRUE Fitness product, contact TRUE Fitness Technical Support at 1-800-883-8783.

PRE-ASSEMBLY CHECK LIST:

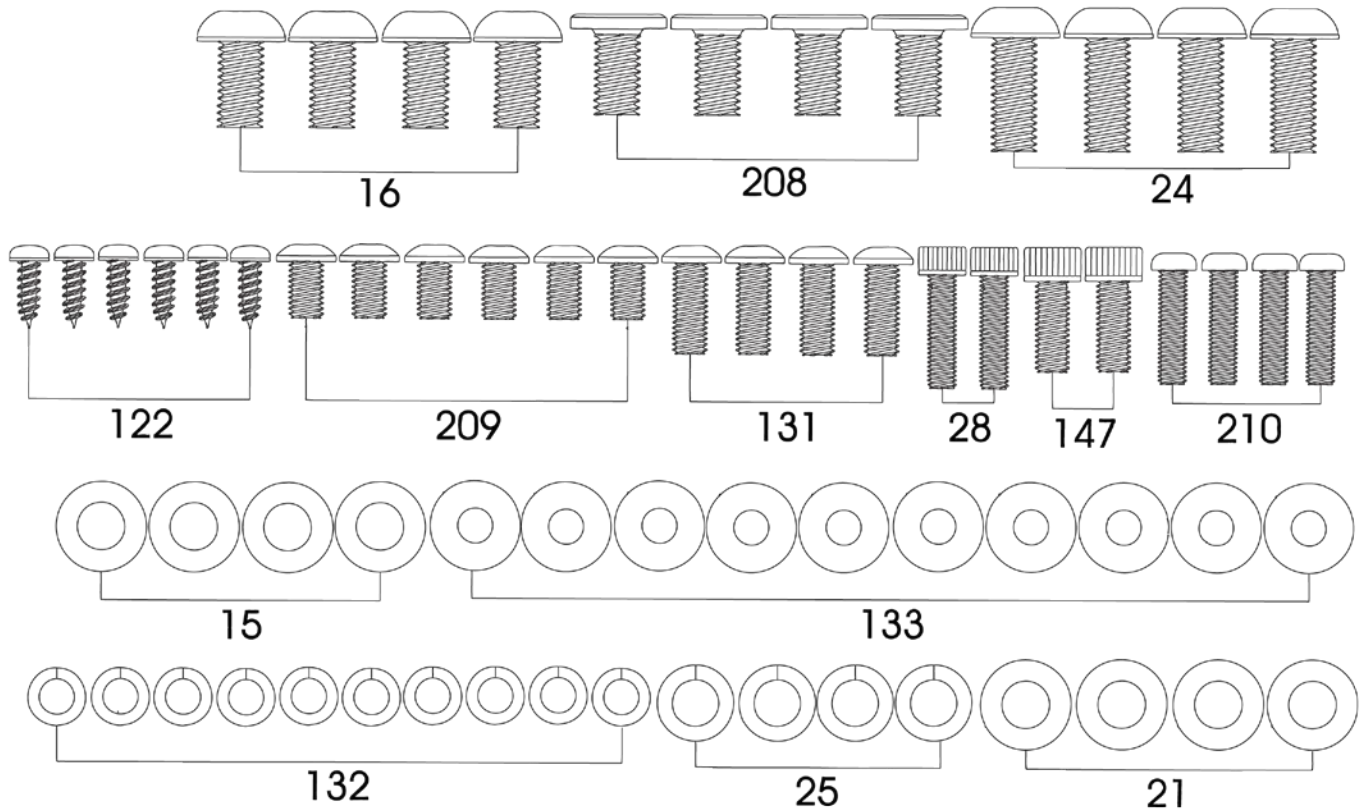
Provided Tools:

4mm Hex Wrench	5mm Hex Wrench
	
6mm Hex Wrench	Phillips Screw Driver
	
Pedal Wrench	
	

CHAPTER 2: ASSEMBLY INSTRUCTIONS

PRE-ASSEMBLY CHECK LIST (CONTINUED):

Provided Hardware:



<u>Part Number:</u>	<u>Description:</u>	<u>Qty:</u>	<u>Where Used:</u>
15	Flat Washer M8x16x1.2mm	4	Console Mast & Balance Bar
16	Screw M8x15mm Sock Hd	4	Console Mast & Balance Bar
21	Flat Washer M8x16x1.2mm	4	Stabilizer
24	Screw M8x20mm Sock Hd w/Nylock	4	Stabilizer
25	Lock Washer M8	4	Console Mast & Balance Bar
28	Screw M5x20L	2	Seat Adjustment Handle
122	Screw M4x12L	6	CD & Water Bottle Holder
131	Screw M6x15mm Sock Hd	8	Seat Back & Seat Bottom
132	Lock Washer M6	10	Seat Back & Seat Bottom
133	Flat Washer M6x16x1.12mm	10	Seat Back & Seat Bottom
147	Screw M6x16mm	2	Reading Rack
208	Screw M8x1.25x15mm	4	Handlebar
209	Screw M6x10L	6	Seat Back Frame
210	Screw M5X20L	4	Seat Back Cover

CHAPTER 2: ASSEMBLY INSTRUCTIONS

ASSEMBLY STEPS:

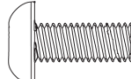
⚠ CAUTION:

- Use caution when assembling bike. It is recommended that at least two people unpack and assemble bike.
- Remove all bike components from packaging.

STEP 1 Attach Front Stabilizer Bar:

a) Using 2 screws and 2 flat washers attach the front stabilizer bar to the bike frame.

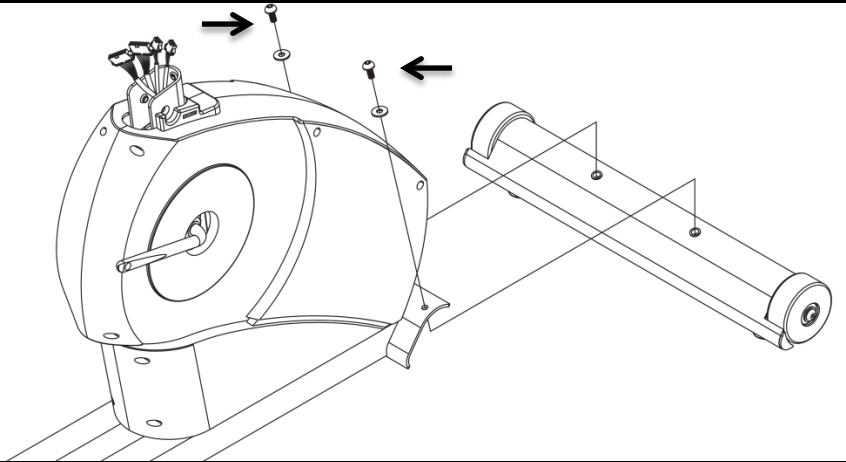
Hardware Required:



#24 - Screw M8x20mm Sock Hd w/Nylock



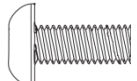
#21 - Flat Washer M8x1.2mm



STEP 2 Attach Rear Stabilizer Bar:

a) Using 2 screws and 2 flat washers attach the rear stabilizer bar to the bike frame.

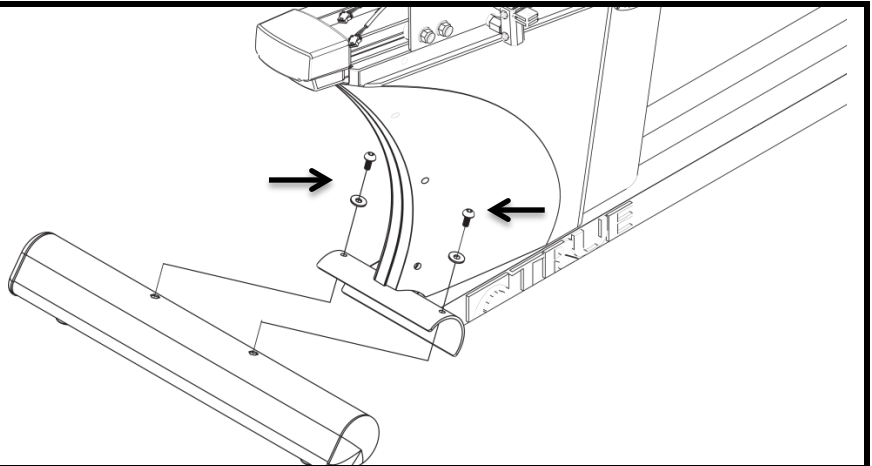
Hardware Required:



#24 - Screw M8x20mm Sock Hd w/Nylock



#21 - Flat Washer M8x1.2mm

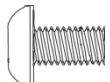


STEP 3 Attach Console Mast and Balance Bar:

a) Connect the 4 wires from the bottom of the console mast to the corresponding wires in the bike frame.

b) Mount the mast to the frame using 4 screws, 4 lock washers and 4 flat washers.

Hardware Required:



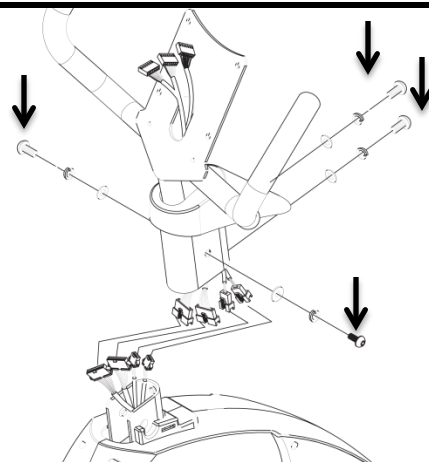
#16 - Screw M8x15mm



#25 - Lock Washer



#15 - Flat Washer



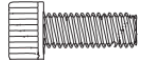
CHAPTER 2: ASSEMBLY INSTRUCTIONS

ASSEMBLY STEPS (CONTINUED):

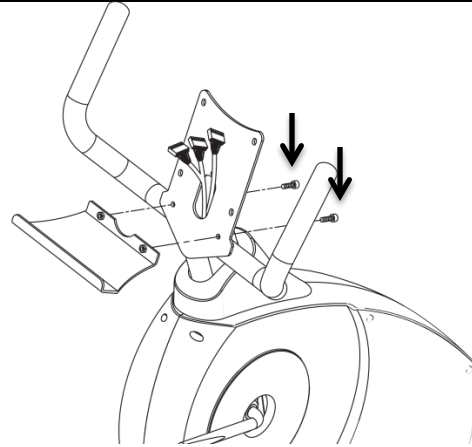
STEP 4 Reading Rack Installation:

a) Attach the reading rack to the front of the console mast using 2 screws.

Hardware Required:



#147 - Screw M6x16mm

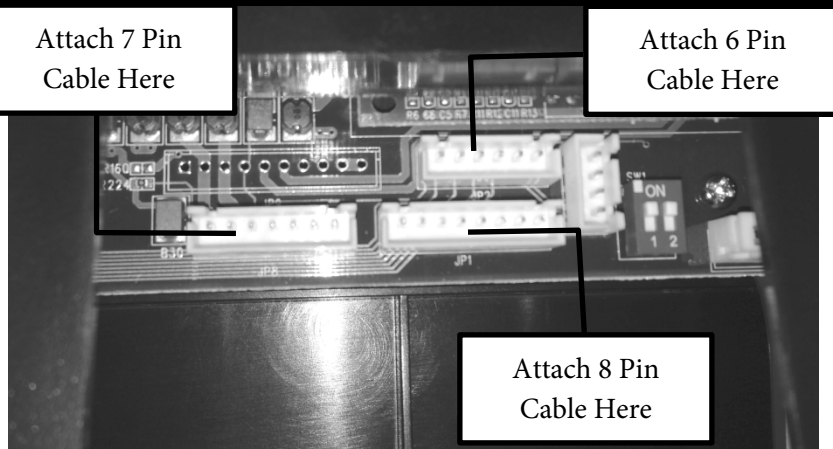


STEP 4 Console Installation:

a) Connect the cables from the console mast to the console as shown.

Attach 7 Pin
Cable Here

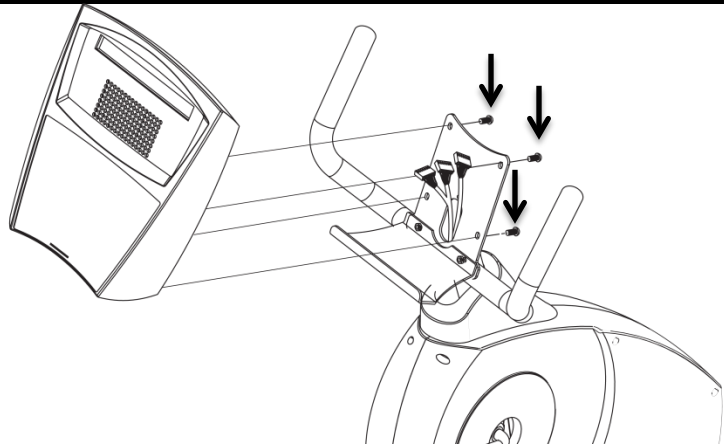
Attach 6 Pin
Cable Here



b) Mount the Console to the console mast using the four screws that are included the console.

Hardware Required:

Included with console.



CHAPTER 2: ASSEMBLY INSTRUCTIONS

ASSEMBLY STEPS (CONTINUED):

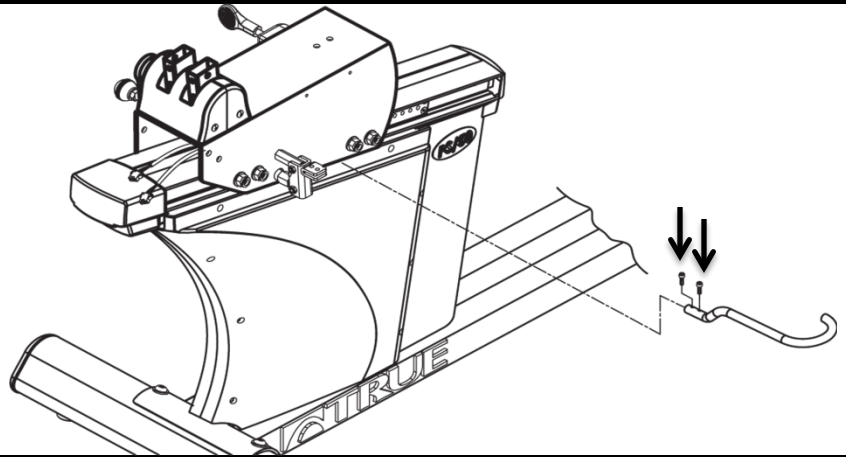
STEP 5 Attach Seat Latch Bar & Seat Handlebar:

a) Use two screws to attach the seat adjustment handle to the seat carriage.

Hardware Required:



#28 - Screw M5x20mm



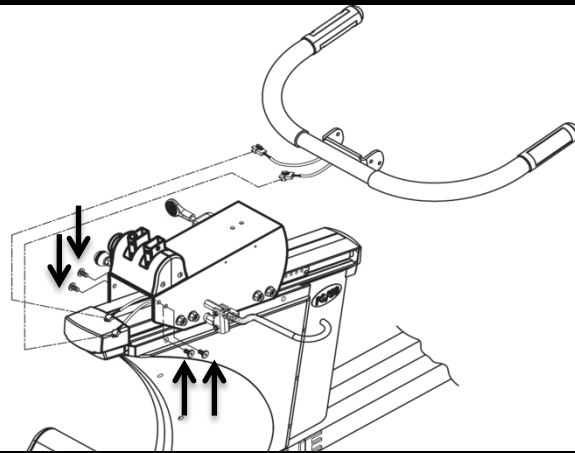
b) Connect the heart rate wires coming from the handlebar to the corresponding wires coming from the bike frame.

c) Use 4 screws to connect the handlebar to the seat carriage.

Hardware Required:



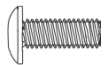
#208 - Screw M8x1.25x15mm



STEP 6 Seat Assembly:

a) Mount the seat bottom cushion with 4 screws, 4 lock washers and 4 flat washers.

Hardware Required:



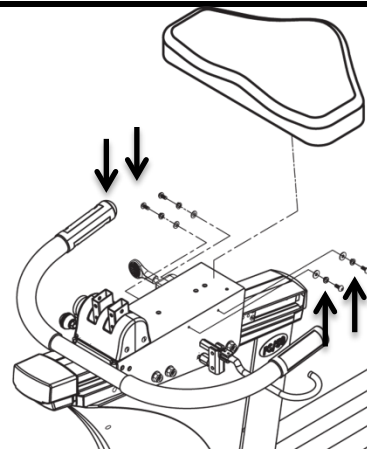
#131 - Screw M6x15mm Sock Hd



#132 - Lock Washer M6



#133 - Flat Washer M6x16x1.12mm



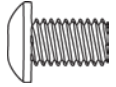
CHAPTER 2: ASSEMBLY INSTRUCTIONS

ASSEMBLY STEPS (CONTINUED):

STEP 6 Seat Assembly (continued):

b) Mount the seat back frame using 6 screws, 6 lock washers and 6 flat washers.

Hardware Required:



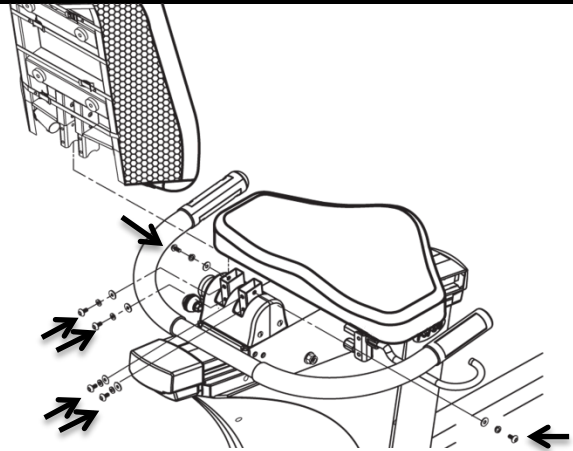
#209 - Screw M6x10L



#132 - Lock Washer M6

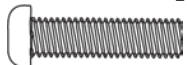


#133 - Flat Washer M6x16x1.12mm

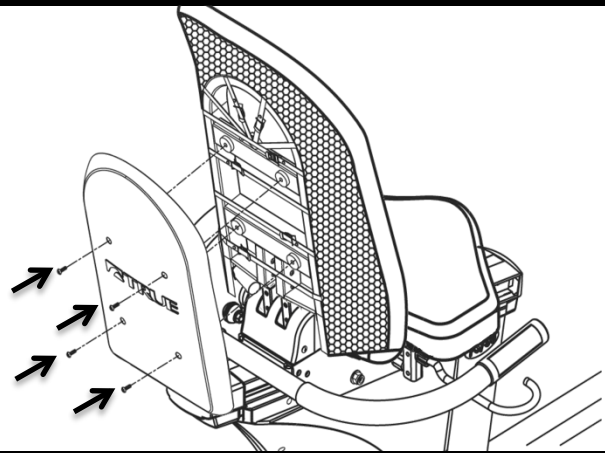


c) Attach the seat back cover using 4 screws.

Hardware Required:



#210 - Screw M5X20L



STEP 7 CD & Water Bottle Holder Attachment:

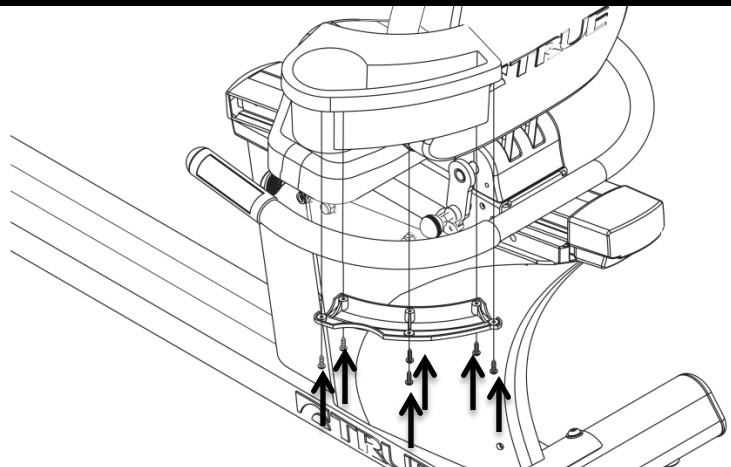
a) Assemble the 2 pieces of the cd & water bottle holder around the handlebar.

b) Use 6 screws to secure the pieces together.

Hardware Required:



#122 - Screw M4x12L

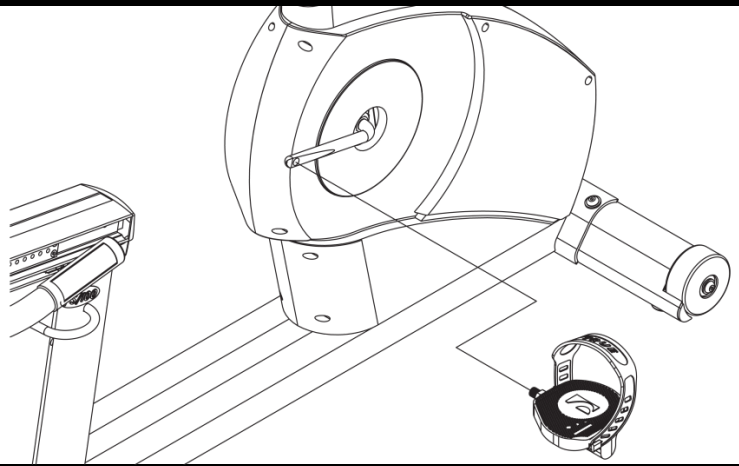


CHAPTER 2: ASSEMBLY INSTRUCTIONS

STEP 8 Pedal Attachment:

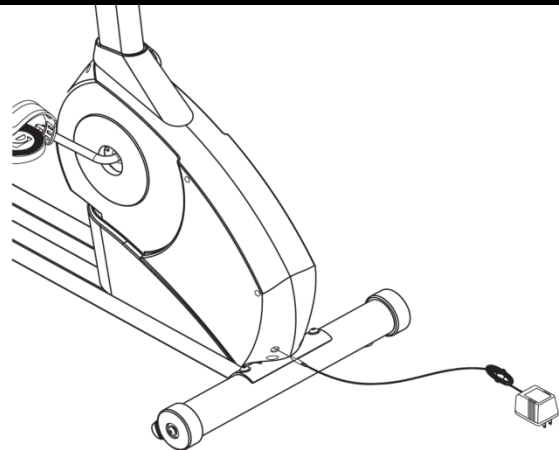
a) Secure each pedal to the appropriate crank using the provided pedal wrench

NOTE: The left pedal is reverse-threaded (turn counter-clockwise to tighten)



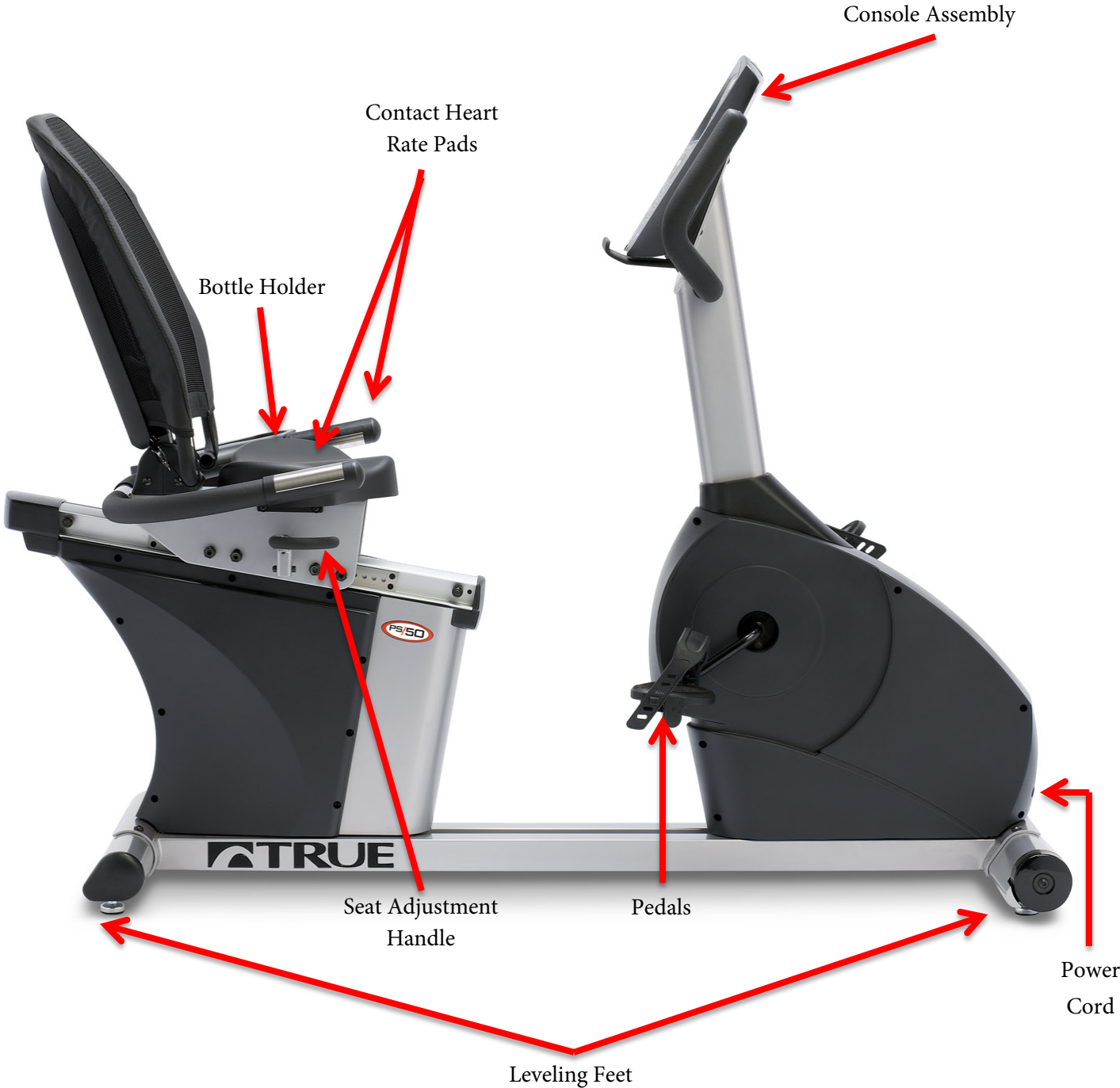
STEP 9 Attach Power Adapter:

a) Connect the power adapter to the unit as shown.



CHAPTER 3: PRODUCT OVERVIEW

RECUMBENT BIKE OVERVIEW:



CHAPTER 3: PRODUCT OVERVIEW

RECUMBENT BIKE OVERVIEW (CONTINUED):

Console Assembly:

The console allows the user to set up a workout program and control the bike during a workout (For console overview and operation instructions refer to the owner's manual for the selected console option).

Contact Heart Rate Pads:

Allows the user to check their heart rate without wearing a wireless chest strap.

Bottle Holder:

Holds an average size drink bottle for convenient use during a workout.

Seat Adjustment Handle:

Used to adjust the position of the seat to a comfortable position for the user.

Pedals:

Moving part of the bike that provides resistance to the lower body during a workout.

Leveling Feet:

An adjustable system used to aid in the leveling the bike.

Power Cord:

Delivers power from the wall outlet to the bike.

CHAPTER 4: PROGRAMMING & OPERATION

HEART RATE MONITORING:

This bike can monitor a user's heart rate using either a Polar® compatible chest strap or the metal grips on the hand rails (called contact heart rate or CHR pads). A chest strap transmits the user's heart rate to the bike via radio, and the CHR pads connect to a special computer circuit to extract the user's heart rate.

Chest Strap Heart Rate Monitoring:

Although this bike functions fine without using the heart rate monitoring feature, this kind of monitoring gives valuable feedback on the user's effort level. Chest strap monitoring also allows users to use Heart Rate Control, the most advanced exercise control system available.

When users wear a Polar® compatible transmitter strap, the bike will display the user's heart rate as a digital beats-per-minute (bpm) readout.

The transmitter strap should be worn directly against the user's skin, about 1-2 inches below the pectoral muscles/breast line. Women should be careful to place the transmitter below their bra line.

Initially the transmission signal for heart rate may be erratic or non-existent. Some moisture is necessary between the strap and the user's skin for proper transmission. Sweat from exercise works best, but ordinary tap water may be used prior to the workout if desired.



A Note on Chest Strap Heart Rate Monitoring:

The chest strap produces a radio signal that the bike reads and registers as the user's heart rate. The accuracy of a reading may be affected when outside interference is present.

Contact Heart Rate (CHR):

The CHR system will let the user monitor their heart rate without wearing a chest strap. When using the CHR system users should gently grasp the CHR pads with both hands. Within 30 seconds, the user's heart rate should be displayed as digital bpm readout (during the first 30 seconds the system is analyzing and locking in the user's heart rate). Users should exercise with smooth body motions and breathe regularly. It is best to avoid talking while using the CHR system, as talking will cause unrepresentative heart rate spikes of 5 to 10 bpm. To ensure an accurate reading, the user's hands should be clean, free of both dirt and hand lotions.

A Note on CHR Accuracy:

CHR monitoring may be less accurate than chest strap monitoring since the heart rate signals are much stronger at the chest.

HEART RATE CONTROL (HRC):

Introduction:

You are now the owner of the most sophisticated Heart Rate Control equipment available. TRUE HRC is unique and patented. It accommodates users from rehabilitation to world class athletes, and all those in between. TRUE HRC allows users to do a completely adjustment free heart rate controlled workout. By training at a specific target heart rate, users can exercise at a more efficient cardiovascular level.

CHAPTER 4: PROGRAMMING & OPERATION

HEART RATE CONTROL (CONTINUED):

The TRUE HRC system is unique because users must enter the key parameters of the workout; target heart rate, weight, age, and time, prior to beginning the HRC workout. As users approach their target heart rate, the bike's computer takes full control over the workout and changes the workout intensity automatically to keep users near their target heart rate. This allows for a completely "hands free" workout.

Target Heart Rate:

TRUE's heart rate control (HRC) workouts let the bike monitor relative exercise intensity by way of the user's heart rate, then automatically adjust the workout intensity to keep the user at their target heart rate and thus their desired exercise intensity. Heart rate is a good measure of the body's exercise stress level. It reflects differences in physical condition, fatigue, the comfort of the workout environment, even diet and emotional state. Users should compare their heart rate with how they feel to ensure safety and comfort.

Consult a physician to determine target heart rate:

Using heart rate to control a workout takes the guesswork out of the workout settings. Consult a physician before using heart rate controlled workouts for advice on selecting a target heart rate range. Also, it is important to use the bike for several workouts in the manual mode while monitoring heart rate. Users should compare their heart rate with how they feel to ensure safety and comfort. After users have spent some time learning how their heart responds to different workout intensity levels, they will have a better understanding of how to use the bike to reach their target heart rate.

Warm Up:

At the beginning of an HRC workout, the bike is in full Manual Control mode. Users should gradually increase the workout intensity to slowly raise their heart rate to within 10 beats per minute (bpm) of their target heart rate. The bike will operate as if in manual mode during the warm up stage. Users control the workout intensity. It is important that the user starts at a low level of perceived exertion and gradually increase the workout intensity over several minutes until they approach their target heart rate. This allows the body to adapt to the workout. Increasing the workout intensity gradually will allow the user to enter the heart rate control stage without overshooting their target, keeping their heart rate within a few bpm of their target.

*Warming up too fast may cause the user to overshoot their target. If this occurs it may take several minutes before the computer software can control their heart rate. Users may overshoot and undershoot for several minutes until control is achieved.

Heart Rate Control Stage:

The bike takes full control of the workout intensity, keeping the user's heart rate within a few bpm of their target. When using the Interval HRC Workout, the bike alternates between work and rest intervals.

Cool-Down:

At the end of the workout time or distance, the bike reduces the workout intensity by half and goes back into Manual Control mode, where users directly control their cool-down.

CHAPTER 4: PROGRAMMING & OPERATION

CONSOLE OVERVIEW:



CHAPTER 4: PROGRAMMING & OPERATION

CONSOLE OVERVIEW (CONTINUED):

Warning Decal:

Important safety information for users to review prior to using the equipment.

Start:

Allows the user to begin a Quick Start workout or preset workout.

Workout Keys:

Allows the user to select one of the preset workouts.

Workload Keys:

Manually increases or decreases the workout intensity.

Numeric Keypad:

A small panel of keys on the console that allow the user to quickly enter numeric data.

Enter:

Press this key to confirm a selection in a preset workout.

Change Display:

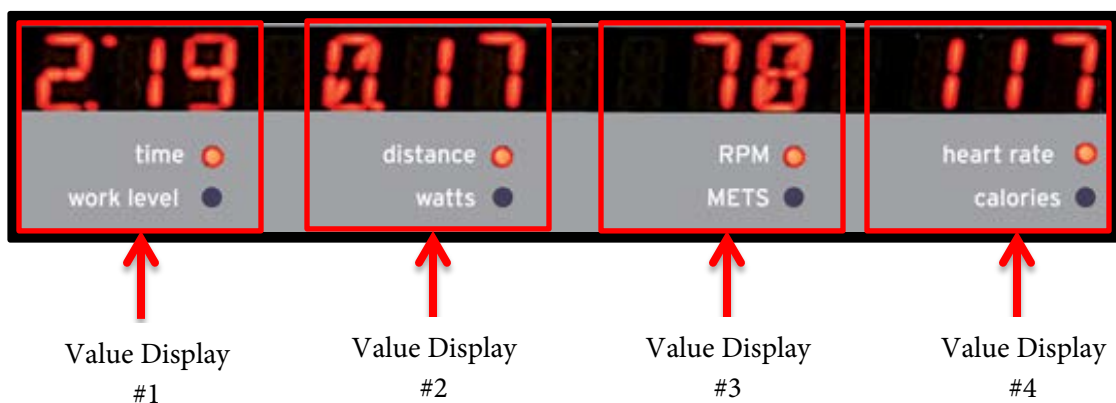
Toggles the displayed values in the upper console display.

Lower Console Display:

Displays the workout profile of the current program.

Upper Console Display:

Shows the workout data of the program in progress in four value displays.



CHAPTER 4: PROGRAMMING & OPERATION

CONSOLE OVERVIEW (CONTINUED):

Upper Console Display (continued):

	Value Display #1	Value Display #2	Value Display #3	Value Display#4
Standard Value	<i>Time</i> – The amount of time remaining in the workout	<i>Distance</i> – An estimate of how far the user would have traveled on an outdoor bike.	<i>RPM</i> –The users pedal cadence.	<i>Heart Rate</i> – Beats per minute display of the user’s heart rate (when using heart rate monitoring).
Value When CHANGE DISPLAY Button is Pressed	<i>Work Level</i> – The selected workload level.	<i>Watts</i> – The amount of mechanical power the bike is receiving from the user.	<i>METs</i> – The user’s metabolic equivalent.	<i>Calories</i> – an estimate of the calories burned. *The estimate does not include the user’s basal metabolic rate.

PROGRAM DESCRIPTIONS:

*There are 16 workload levels available for preset workouts. Level 1 is the lightest and the workload increases up to the heaviest workload, 16.

Quick Start:

A workout in which the user controls all settings. The workout continues until it is ended by the user.

- Begin Pedaling.
- Enter the user’s weight.
- Press START to begin the workout.

Manual:

Users enter their weight, workout time or distance. The user controls the workout intensity throughout the workout.

- Begin Pedaling.
- Enter the user’s weight.
- Press the MANUAL workout button, followed by ENTER.
- Use the numeric keypad or workload keys to enter the workout time.
- Press START to begin the workout.

Hills:

A series of gradual increasing and decreasing WORKLOAD changes that simulate hills. Users can adjust the WORKLOAD at any time during the workout to increase or decrease intensity of the hills.

- Begin Pedaling.
- Enter the user’s weight.
- Press the HILLS workout button, followed by ENTER.
- Use the numeric keypad or workload keys to enter the workout level.
- Use the numeric keypad or workload keys to enter the workout time.
- Press START to begin the workout.

CHAPTER 4: PROGRAMMING & OPERATION

PROGRAM DESCRIPTIONS (CONTINUED):

Cardio Challenge:

WORKLOAD and suggested PACE (RPM) increase to a maximum at the mid-point of the workout, then decrease to the finish.

- Begin Pedaling.
- Enter the user's weight.
- Press the CARDIO CHALLENGE workout button, followed by ENTER.
- Use the numeric keypad or workload keys to enter the workout level.
- Use the numeric keypad or workload keys to enter the workout time.
- Press START to begin the workout.

Random:

A WORKLOAD profile that constantly changes to simulate random hills. Users can adjust the WORKLOAD at any time during the workout to increase or decrease the intensity of the hills.

- Begin Pedaling.
- Enter the user's weight.
- Press the RANDOM workout button, followed by ENTER.
- Use the numeric keypad or workload keys to enter the workout level.
- Use the numeric keypad or workload keys to enter the workout time.
- Press START to begin the workout.

Target HRC:

Users choose their target heart rate and the bike takes control of WORKLOAD. The Bike will gradually raise the user's heart rate so that the target is reached within 5 to 7 minutes and maintain the user's HR within a few beats of their target.

- Begin Pedaling.
- Enter the user's weight.
- Press the HRC CRUISE CONTROL workout button, followed by ENTER.
- Use the numeric keypad or workload keys to enter the user's target heart rate.
- Press START to begin the workout.

HRC Cruise Control:

While in any program, Cruise Control will allow the user to set current heart rate as target heart rate by pressing a single button. The Cruise Control program takes control of WORKLOAD to maintain the users target Heart Rate. If Beats Per Minute exceeds the target by more than 12 BPM the workout will end and Cool Down will begin.

CHAPTER 4: PROGRAMMING & OPERATION

ADVANCED CONSOLE FUNCTIONS:

⚠ WARNING:

Misconfiguration of the console may cause damage to the unit and void the manufacturer warranty. If necessary, please contact TRUE Fitness Technical Support at 800-883-8783 for assistance.

Diagnostics Mode:

The Diagnostic Mode is designed to help determine faults or test functions of the unit.

Entering Diagnostics Mode:

- Press and hold the START button.
- Begin pedaling to power on the unit.

Navigating Diagnostics Mode:

Use the ENTER button to scroll through the available options. The options include:

Display Tests - Six tests that illuminate the LED's in the console display to ensure proper function.

RPM Test - Displays Speed sensor feedback in the upper console display.

Key Test - As each console button is pressed a corresponding description will be shown on the console display to ensure proper function.

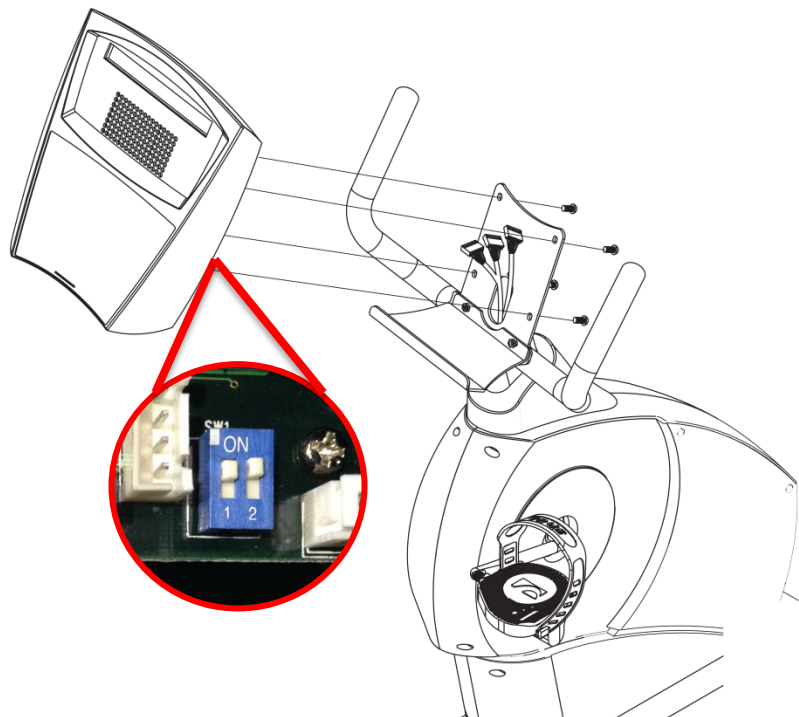
Heart Rate Test - Displays available contact or telemetry heart rate signals.

Motor Test - Tests the brake motor function.

Changing Measurement Units:

The console on this bike is capable of displaying units in American Standard and Metric measurements. To change which units are displayed on the console:

- Remove the four console mounting screws and detach the console from all cables and the bike frame.
- Locate the blue switch box on the lower right hand side of the control board (inside of the console).
- For English Standard units, switch 2 should be moved to the up (ON) position. For Metric units, switch 2 should be moved to the down position.
*Switch 1 should always remain in the up (ON) position.
- Re-attach the console to all cables and then mount it to the bike frame using the mounting screws from step a.



CHAPTER 5: CARE & MAINTENANCE

CARE & MAINTENANCE:

It is important to perform the minor maintenance tasks described in this section. Failure to maintain the bike as described here could void the TRUE Fitness Warranty. To reduce the risk of electrical shock, always unplug the unit from its power source before cleaning or performing any maintenance tasks.

Inspection:

TRUE Fitness is not responsible for performing or scheduling regular maintenance or inspections.

Users should inspect the bike daily. Look and listen for slipping belts, loose fasteners, unusual noises, worn or frayed power cords, and any other indications that the equipment may be in need of service. If any of these are noticed, obtain service. Do not attempt to use the bike until proper service has been performed or damaged parts have been replaced.

Important:

If you determine that the bike needs service, make sure that the bike cannot be used inadvertently. Turn the unit off, and then unplug the power cord from its power source. Make sure other users know that the bike needs service.

To order parts or to contact a TRUE Authorized Service representative, please visit www.truefitness.com.

CLEANING THE EQUIPMENT:

After Each Use:

Use GymWipes™ Antibacterial wipes or spray a solution of 30 parts water to 1 part mild detergent to dampen a soft cloth and wipe all exposed surfaces.

Use a LCD/screen cleaner or spray a solution of 1 part 91% isopropyl alcohol and 1 part water to dampen a soft cloth and wipe the surface of the console. This helps remove fingerprints, dust, and dirt

Weekly:

Vacuum any dust or dirt that might have accumulated under or around the bike or any cover vents.

*Clogged air vents can prevent adequate cooling, causing a shortened life.

▲ CAUTION:

Do not use any acidic cleaners. Doing so will weaken the paint or powder coatings and may void the TRUE Fitness Warranty. Never pour water or spray liquids on any part of the bike. Allow the bike to dry completely before using. Frequently vacuum the floor underneath the unit to prevent the accumulation of dust and dirt, which can affect the smooth operation of the unit.

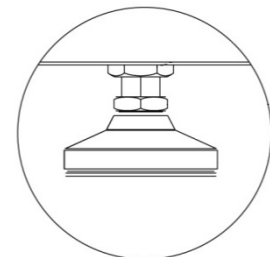
LEVELING THE UNIT:

The bike or elliptical has adjustable feet. Make sure that the running surface is level.

If the bike or elliptical is placed on an uneven surface, adjusting the feet can help, but may not compensate for extremely uneven surfaces.

▲ CAUTION:

If the bike is not level the user may experience knocking or clicking sounds.



CHAPTER 5: CARE & MAINTENANCE

LUBRICATION:

Remove the pedals from the crank quarterly and lubricate the threads that attach to pedal to cranks to prevent corrosion. Reattach the pedals to the Crank.

Note the user's left side pedal is reverse threaded

OTHER SCHEDULED PREVENTIVE MAINTENANCE:

TRUE recommends that yearly scheduled maintenance be performed by a qualified service technician. Please contact your dealer or visit www.truefitness.com to contact a local TRUE authorized service technician.

Scheduled Preventive Maintenance:

CAUTION:

- Use only TRUE Fitness certified service providers.
- Check error log in console.
- Remove shroud covers and vacuum any debris out of the speed sensor, control electronics and moving parts.
- Move unit and vacuum underneath.
- Check belt tension and tracking.
- Inspect all fasteners.
- Inspect all electrical connections.
- Inspect all components for abnormal or premature wear.
- Inspect and lubricate pedal threads on bike to prevent corrosion.

LONG TERM STORAGE:

When the bike is not in use for any length of time, turn it off. Make sure that the power cord is unplugged from the power source and is positioned so that it will not become damaged or interfere with people or other equipment.

Storing the Chest Strap:

Store the chest strap in a place where it remains free of dust and dirt such as, in a closet or drawer. Be sure to protect the chest strap from extremes in temperature. Do not store it in a place that may be exposed to temperatures below 32° F (0° C). To clean the chest strap, use a sponge or soft cloth dampened in mild soap and water. Dry the surface thoroughly with a clean towel.

CHAPTER 6: CUSTOMER SERVICE

CONTACTING SERVICE:

TRUE Fitness recommends that you gather the serial number, model number, and a brief description of the reason for the request. After information has been gathered you may choose to contact your selling dealer or local service company to set an appointment. (If you are not familiar with who is in your area, you may visit our website at www.truefitness.com and use our dealer locator to obtain the contact information for the closest dealer)

You may also contact TRUE Fitness' customer support team by calling 800.883.8783 or e-mailing us at service@truefitness.com Monday – Friday during normal business hours.

TRUE FITNESS SERVICE DEPARTMENT

865 HOFF ROAD

ST. LOUIS, MO 63366

1.800.883.8783

HOURS OF OPERATION: 8:30 A.M. - 5:00 P.M. CST

E-MAIL: service@truefitness.com

CONTACTING SALES:

Interested in TRUE Products? Please contact us with any sales or product inquiries so that we may direct you to the appropriate sales representative to answer your questions.

TRUE FITNESS HOME OFFICE

865 HOFF ROAD

ST. LOUIS, MO 63366

1.800.426.6570

HOURS OF OPERATION: 8:30 A.M. - 5:00 P.M. CST

E-MAIL: sales@truefitness.com

CHAPTER 6: CUSTOMER SERVICE

REPORTING FREIGHT OR PARTS DAMAGE:

Unfortunately, sometimes materials can be damaged during shipment. If materials are damaged during shipment, please follow the guidelines below to determine the appropriate process for you to follow in case of damages.

Severe Damage:

Obvious damage to external packaging / internal product. Please **refuse** the shipment and it will be returned to TRUE Fitness by the carrier. Contact the TRUE Fitness customer support team by calling 800.883.8783 or sales support team by calling 800.426.6570 Monday-Friday during normal business hours to notify us that the shipment has been refused. Once we have received the damaged shipment, a replacement shipment will be sent to you. Only refuse the damaged piece if the shipment is multiple boxes.

Slight Damage:

The box may have minimal damages and you are not sure if the actual product is damaged or not. You **must** sign the bill of lading as damaged when accepting the shipment. Once you have opened the box and you have determined something is indeed damaged please gather the serial number, model number, description and photos of damages. Please make sure the photos include the damaged product as well as the damaged box the product arrived in. Contact the TRUE Fitness customer support team by calling 800.883.8783 or sales support team by calling 800.426.6570 Monday-Friday during normal business hours.

Concealed Damage:

You may receive a shipment that looks intact and discover once the box has been opened that there are hidden damages. Please notify the carrier **immediately**. We will not be able to file a claim if the carrier is not notified in a timely manner. Once you have called the carrier you will need to gather the serial number, model number, description and photos of damages. Contact the TRUE Fitness customer support team by calling 800.883.8783 or sales support team by calling 800.426.6570 Monday-Friday during normal business hours.

CHAPTER 7: ADDITIONAL INFORMATION

TROUBLESHOOTING GUIDE:

This troubleshooting guide is intended to assist in diagnostics only and is not all inclusive. Technical specifications, error codes and programming are subject to change without notice. TRUE accepts no liability for any damage or loss suffered by persons whom rely wholly or in part on any description or statement contained within this manual. Please visit www.truefitness.com to obtain the most recent version of all manuals and contact the TRUE Service Department at 800-883-8783 for assistance with troubleshooting and diagnostics.

Malfunction	Possible Cause	Corrective Action
No Power	Unit is turned off	Verify the On/Off switch is at the ON position (if applicable)
	Damaged power cord	Replace power cord (if applicable)
	Power cord not fully seated in socket	Inspect power connection at the unit and outlet
	No power at wall outlet	Use a voltmeter to verify power at wall outlet
	Motor control board damaged	Contact True Fitness Customer Service Department
Unit resets or pauses randomly	Damaged power cord	Replace power cord
	Power cord not fully seated in socket	Inspect power connection at the unit and outlet
	Insufficient power	Verify output voltage from 20A outlet with a voltmeter
	Error code is displayed on console	Contact True Fitness Customer Service Department
	Speed sensor out of alignment	Contact True Fitness Customer Service Department
	Pinched or loose main communication cable	Contact True Fitness Customer Service Department
Resistance hesitates or slips when pedaling	Loose belt tension	Contact True Fitness Customer Service Department
Rubbing or knocking sound from unit when in operation	Uneven floor	Adjust equipment with leveling feet.
	Loose hardware	See Chapter 5: inspections
	Loose Pedal	See Chapter 5: inspections
	Bearings may be damaged	Contact True Fitness Customer Service Department
	Brake assembly may be damaged	Contact True Fitness Customer Service Department
	Drive belt may be misaligned	Contact True Fitness Customer Service Department
Time, Distance and calories not calculating	Misaligned or damaged speed sensor	Contact True Fitness Customer Service Department
	Missing or damaged speed sensor magnet	
	Damaged or disconnected data cable	
	Upper console malfunction	

CHAPTER 7: ADDITIONAL INFORMATION

TROUBLESHOOTING GUIDE (CONTINUED):

Malfunction	Possible Cause	Corrective Action
Heart rate is displaying erratically or not displaying	Transmitter belt contacts are not making good contact with the skin	Readjust the transmitter belt so that it is in full contact with the skin
	Contacts on the transmitter belt are not moist	Moisten the contacts on the transmitter belt
	Transmitter belt is not within 3 feet (1 meter) of the heart rate receiver	Adjust your position on the belt so that you are within 3 foot (1 meter) of the console
	Transmitter belt is not the correct frequency or is encoded	Polar equip or compatible receiver use 4.8kHz un-encoded receiver
	The battery inside the transmitter belt is depleted	replace the transmitter belt with a compatible transmitter belt
	Another user wearing a compatible transmitter strap is within 3 foot (1 meter) of the unit	Move the units so that there is more space in-between units
	Environmental interference from high voltage power lines	Move the unit to another position within the room or move the cause of the interference until heart rate reading are stable. If the probable source of interference is plugged into the same outlet move the suspect source to another outlet.
	Environmental interference from computers	
	Environmental interference from motor driven appliances	
	Environmental interference from cell or cordless phone	
Environmental interference from Wi-Fi router		

CHAPTER 7: ADDITIONAL INFORMATION

TRUE RESIDENTIAL



Premium Fitness Equipment Since 1981



The PS50 Recumbent Bike brings quiet performance and ergonomic comfort to your home exercise space. The PS50 delivers a variety of challenging pre-programmed workouts to keep your routine fresh whatever your fitness goals. TRUE's attention to exacting detail means a perfect balance of smooth motion and heavy-duty durability.



PS50

CHAPTER 7: ADDITIONAL INFORMATION



TRUE[®]

R E S I D E N T I A L

PS50
RECUMBENT

TECHNICAL SPECIFICATIONS

Power Source 110V/15A

Cord Length 8' (2.4M)

Drive Motor Single Stage Drive System with Poly-V Belts

Crank 1-Piece Forged Steel Crank System with Sealed Bearings

Resistance Source Eddy Current Brake

Resistance Levels 16

Workload Range 30-350 Watts

Frame Construction Robotically Welded Heavy-Gauge Steel

Pedals Integrated Ratcheting Strap

Seat Ergonomic Mesh Seat with 24 Position Settings

Handlebar Design Two Positions with Moisture Resistant Sleeves

Contact Heart Rate Monitoring Yes

Wireless Heart Rate Monitoring Polar[®] Compatible

CONSOLE

Display Dual Window Red LED

Programs 7

HRC Cruise Control Standard

Pause Feature Indefinite

SAFETY

Reinforced Walk-Through Design

REGULATORY APPROVALS

ETL UL1647, CSA, FCC

EXTRAS

Accessories Water Bottle Holder, Reading Rack

PHYSICAL SPECIFICATIONS

Footprint 65"L x 30"W (165 cm x 76 cm)

Machine Weight 158 lbs. (72 kg)

Maximum User Weight 350 lbs. (159 kg)

Portability 2 Front Transport Wheels

WARRANTY

Warranty Type Residential

Frame Lifetime

Parts 5 Years

Labor 1 Year

Warranties outside the U.S. and Canada may vary - Please contact your dealer for details. Specifications subject to change without notice.

CHAPTER 7: ADDITIONAL INFORMATION



RESIDENTIAL LIMITED WARRANTY PS50 RECUMBENT BIKE

Save time and register online!

Activate Multiple Warranties at truefitness.com.

All TRUE® Fitness products are distributed by TRUE and are warranted to the original registered Product purchaser and the parts of the TRUE product (the "Product") listed below, under normal use and service, shall be free of manufacturing defects in workmanship and materials only for the period of time beginning from the original date of purchase set forth below:

Frame*	Lifetime
Parts	
Electrical	5 Years
Wear Items	5 Years
Cosmetics	6 Months
Labor	
Parts	1 Year
Cosmetics	6 Months

NOTE: Warranty valid for USA and Canada only.

Frame

The frame is warranted for defects in material and workmanship for as long as the original purchaser owns the Product. The frame is warranted for labor and freight (for parts shipped from TRUE) for one year from date of purchase. * This limited warranty on structural frame does not include paint or coatings.

Parts

The bike electrical parts and wear items are warranted for defects in material and workmanship for five years with one year labor warranty. This limited warranty does not cover damage or equipment failure resulting from or caused by improper assembly/installation, failure to follow instructions and warnings in owner's manual, accident, misuse, abuse, unauthorized modification, or failure to provide reasonable and necessary maintenance. *TRUE Fitness shall not warrant the performance of the heart rate system on its products, as the heart rate system performance varies, based on user's physiology, age, method of use and other factors. * This limited warranty shall not apply to Software version upgrades.

Cosmetics

The bike cosmetic parts are warranted for defects in material and workmanship for six months with labor warranty to match the parts warranty period. This limited warranty does not cover damage or equipment failure resulting from or caused by improper assembly/installation, failure to follow instructions and warnings in owner's manual, accident, misuse, abuse, unauthorized modification, or failure to provide reasonable and necessary maintenance. This limited warranty will apply to but may not be limited to plastic covers, shrouds, caps, badges, overlays, paint, coatings, pedal straps, and seat cushion and upholstery/fabric.

Labor

Labor is covered for a period of one year from the date of purchase unless otherwise expressed within this limited warranty as long as a TRUE authorized service provider performs the service. Service that

requires over 50 miles of travel may be subject to additional charges. Reasonable and necessary maintenance guidelines can be found in the owner's manual.

Claims Procedure: TRUE Limited Warranty service may be obtained by contacting the authorized TRUE dealer from whom the Product was purchased. If the dealer from whom the Product was purchased is no longer an authorized TRUE dealer, then TRUE Limited Warranty service may be obtained by contacting TRUE directly at:

TRUE Fitness, Service Department
865 Hoff Road, St. Louis, MO 63366
1-800-883-8783, (Hours of operation 8:30am - 5:00 pm CST)

The above Limited Warranty is subject to and will be in accordance with the conditions set forth below:

1. This Limited Warranty can be processed only if the Warranty Registration Form is completed on-line; or if the attached form is filled in, signed by the original purchaser and mailed to TRUE within 30 days of purchaser's receipt of this Product. The serial number must be intact on the Product for this Limited Warranty to be valid.
2. This Limited Warranty applies to the product only while the Product remains in the possession of the original purchaser and is not transferable.
3. This Limited Warranty becomes VALID ONLY if the Product is initially assembled/installed by a TRUE authorized dealer/technician (if anyone other than a TRUE authorized dealer/technician initially assembles and installs the Product, this Limited Warranty will be void unless the written authorization of TRUE is first obtained).
4. This Limited Warranty does not cover damage or equipment failure resulting from or caused by improper assembly/installation, failure to follow instructions and warnings in owner's manual, accident, misuse, abuse, unauthorized modification, or failure to provide reasonable and necessary maintenance (as referenced in the owner's manual.)
5. This Limited Warranty applies only to the cost of repair or replacement of parts and does not include labor (beyond the above warranty period), transportation, service, return and freight charges associated therewith expressly specified herein.
6. This Limited Warranty shall not apply to: Service calls to correct installation of the equipment or instruction to owners on how to use the equipment; or any labor costs incurred beyond the applicable labor warranty period.
7. This Limited Warranty is in lieu of all warranties, express or implied, and in lieu of all other obligations or liabilities on the part of TRUE, under no circumstances shall TRUE be liable by virtue of this Limited Warranty or otherwise from damage to any person or property whatsoever for any special, indirect, incidental, secondary or consequential losses, damages or expenses in connection with exercise products.

Any implied warranty is limited in duration to the time period covered by the Limited Warranty. Some states do not allow limitations on how long an implied warranty lasts, or the exclusion may not apply to you. This Limited Warranty grants you specific legal rights and you may also have other rights, which vary from state to state.

truefitness.com / 800.426.6570 / 1.636.272.7100



CHAPTER 7: ADDITIONAL INFORMATION



RESIDENTIAL LIMITED WARRANTY PS50 RECUMBENT BIKE

Save time and register online!
Activate Multiple Warranties at truefitness.com.

NOTE TO AUTHORIZED WARRANTY LABOR PROVIDERS:
Warranty labor reimbursement or warranty parts rights may not be transferred to, reassigned to, a third party without the express written consent of TRUE. Even jobbing out warranty labor requires TRUE's written approval.

PLEASE RETAIN THIS PORTION FOR YOUR RECORDS	
Write in Your Serial Number Here:	
<i>Your serial number will be located on the bottom of the exercise bike.</i>	
Example of Serial Number Sticker	
	
	011208

CHAPTER 7: ADDITIONAL INFORMATION



RESIDENTIAL LIMITED WARRANTY PS50 RECUMBENT BIKE

Thank you for purchasing a TRUE product. To validate the TRUE product warranty the fast and easy way, please go on-line now to www.truefitness.com and register your product. The information you provide will never be distributed to any other individuals or agencies for any purpose. If you prefer to mail your warranty card, have the owner of the product complete the information below and return it to TRUE Fitness within 30 days from the date of equipment installation.

To mail your warranty information, please fill in the information below and mail to: Service Dept., TRUE Fitness, 865 Hoff Road, St. Louis, MO 63366 (or save postage and register online at www.truefitness.com)

Residential Warranty Registration

Model Type: Treadmill Elliptical Bike

Other _____

Date of Purchase _____

Purchased From (dealer name) _____

First Name _____

Last Name _____

Address _____

City _____ State _____ ZIP _____

Email Address _____

Phone _____

1. Where did you first learn about TRUE?

- a. Dealer b. Website
 c. Referral d. Gym/Club
 e. Current Customer f. Other _____

2. The primary user(s) is:

- a. Male b. Female
 c. Both

3. Do you currently belong to a health club?

- a. Yes b. No

4. Your age group:

- a. Under 25 b. 25-35
 c. 36-45 d. 46-55
 e. 56-65 f. 65+

5. What was the primary reason you bought a TRUE product? (Check only one)

- a. Design/Appearance b. Dealer
 c. Price d. Ease of Operation
 e. Quality of Construction f. Size
 g. Reputation h. Warranty
 i. Friend/Family Recommendation

6. Do you plan to purchase more fitness equipment in the next 6-12 months?

- Yes No

7. If you answered "yes" to question 6, what type do you plan to purchase?

- a. Treadmill b. Elliptical
 c. Stationary Bike d. Free Weights
 e. Gym c. Other _____

8. What is your annual household income? (Optional)

- a. Under \$50,000
 b. \$50,000 - \$75,000
 c. \$75,000 - \$100,000
 d. \$100,000 - \$150,000
 e. \$150,000+

9. You are a valued customer of TRUE and your suggestions allow us to continually improve your experience. Is there anything else you would like us to know? Please explain:

Write in Your Serial Number Here:

Your serial number will be located on the bottom of the exercise bike.

