



TUFFSTUFF[®]
FITNESS INTERNATIONAL



XPT-900 SPORT SELF SPOTTING POWER CAGE
(shown with option DAP-955 Dual Adjustable Pulley System)

OMNI-DIRECTIONAL

- Proprietary barbell system is designed to move in any direction allowing vertical, horizontal, diagonal, lateral and rotational bar motion.

SELF-SPOTTING

- Never worry about a missed lift or emergency situation again. Four solid steel locking pins, immediately catch and stop the bar in any position.

SAFETY/RELIABILITY

- Makes racking and un-racking the bar or changing the bars starting height, safe and easy from any position.

Built-in 1-inch knurled zinc plated pull-up bar.

Olympic bar weight capacity 1500 lbs.

Free-flow, multi-directional linear guide barbell system allowing vertical, horizontal, diagonal, lateral and rotational bar movement. Counter-balanced to allow starting weight at 35 lbs.

Built-in Olympic weight plate storage holders.

Mechanically actuated lever handles (left and right) control the braking system. Adjustable width to accommodate various grip positions.

Patented Quad Lock Braking System automatically catches and stops the bar in any position.

Secondary safety stoppers are an added safety measure to catch the press bar.

Provides 18 bar positions to accommodate any start height.



Never ask for a spot again!



Perform conventional lifts, Olympic lifts and traditional movements.

Option DAP-955 Dual Adjustable Pulley System shown with XPT-900 Sport.



Brady Poppinga,
2010 Super Bowl Champion
and NFL Veteran Linebacker.

System includes: dual adjustable high/low pulley with 150 lbs. per weight stack,
fixed high pulley station, pull-up station and accessories rack.



Perform over thirty (30) exercises!

Specifications & Warranty

FRAME MATERIALS: 11-gauge oval & rectangular tubular steel frames with a combination of round tubing.

WELDS: All welded construction by inert-gas welding.

FINISH: Electrostatically applied powder coat finish.

FRAME COLORS: Platinum Sparkle with Cathedral Gray accent.

ADJUSTMENT PINS: 1/2" push-pull spring loaded solid steel adjustment pins.

BEARINGS: 1" solid steel pivot axles with non-friction 2" sealed bearings internally encased on primary pivots, and oil-impregnated bronze bushings on all secondary pivots.

GUIDE RODS: 3/4" solid steel hard chrome finish.

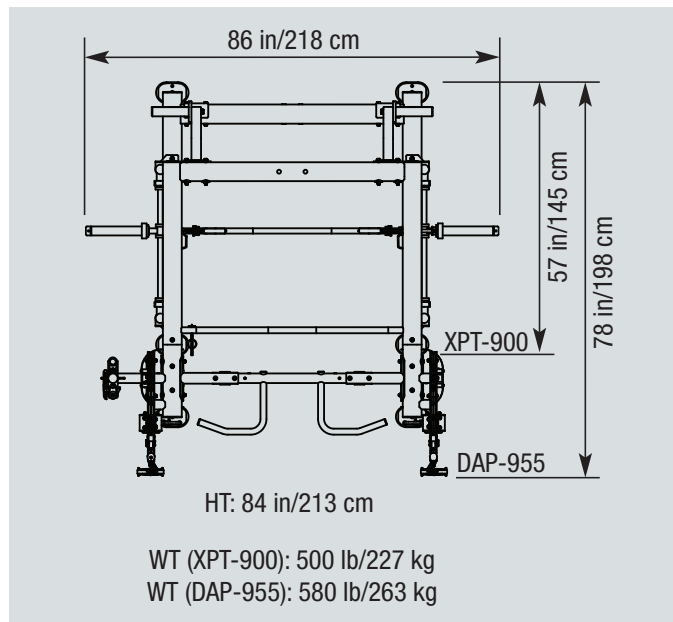
CABLES: 3/16" and 1/8" USA-Made/Certified EXERFLEX PRO® high performance fitness cable.

PULLEYS: 4-1/2" and 3-1/2" fiberglass-impregnated nylon pulleys with double sealed roller bearings.

SELECTOR WEIGHT PINS: Solid steel, magnetic with ball-end to ensure a tight connection and secure fit. Coiled lanyard helps prevent pin removal and loss.

FASTENERS: All frame bolts and nuts are 3/8" and 1/2" zinc oxide.

WEIGHT STACK: Solid steel weight plates with self aligning low friction sleeves.

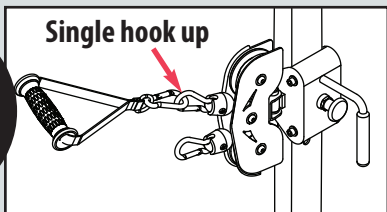


Option DAP-955 Exclusive Features:

Unique dual resistance ratio at the handle provides single cable hook up at 1/4 resistance or dual cable hook up at 1/2 resistance.

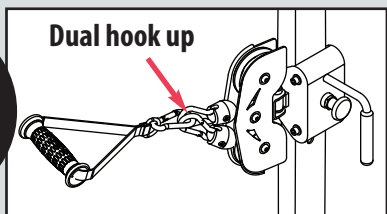
**1/4
RESISTANCE**

Single hook up



**1/2
RESISTANCE**

Dual hook up



U.S. Patent No. 8,465,400

LIGHT COMMERCIAL WARRANTY:

TEN (10) YEARS: Structural main frames, welds, cams and weight plates.

FIVE (5) YEARS: Pivot bearings, pulleys, bushings and guide rods.

ONE (1) YEAR: Cables, linear bearings and pull-pin components. Safety Lock components and locking pins. Locking-pin cables, release handle cables and counter-balanced cables.

SIX (6) MONTHS: Finish and rubber grips.

ALL OTHER PARTS not mentioned elsewhere in the warranty will expire one (1) year from the date of purchase to the original purchaser (applies only to defects from manufacturer).

Light Commercial Use: Light Commercial warranty applies only to facilities like hotels, apartment complexes, personal training studios, fire & police stations, etc. where the equipment would be used by no more than 30 people per day.

HOME LIFETIME WARRANTY* LIFETIME of the equipment while owned by the original purchaser when used only in a HOME environment (applies to defects from manufacturer only).

* See Owner's Manual for details.

NOTICE: TuffStuff continually engages in research related to product improvement. As a result, the product received by the customer may differ slightly from its published description. Improvements in materials, production techniques and design refinement may at any time be introduced into our products. TuffStuff reserves the right to make changes in its product without notice.



13971 Norton Avenue, Chino, CA 91710, USA. PH: 909-629-1600 FX: 909-629-4967
info@tuffstuff.net www.tuffstufffitness.com

11.13.17_0S0325