

 TRUE[®]

SM1050 Quick Fit



Model # SM1050
Revision 102017

OWNER'S
MANUAL

IMPORTANT:

All products shown are prototype. Actual product delivered may vary.
Product specifications, features & software are subject to change without notice.
For the most up-to-date owner's manual please visit www.truefitness.com.
For documents in additional languages please visit www.truefitness.com/resources/document-library/

IMPORTANTE:

Todos los productos mostrados son prototipos. La realidad el producto suministrado puede diferir.
Especificaciones de productos, características y software están sujetas a cambios sin previo aviso.
Para la más actualizada de este manual del propietario, por favor visite www.truefitness.com
Para los documentos en otros idiomas, por favor visite www.truefitness.com/resources/document-library/

IMPORTANT: Tous les produits présentés sont prototype. Le produit réel livré peut varier. Spécifications du produit, caractéristiques et logiciels sont sujettes à modification sans préavis. Pour la plus à jour le manuel du propriétaire s'il vous plaît visitez www.truefitness.com. Pour documents dans des langues supplémentaires, veuillez www.truefitness.com/resources/document-library/ de visite

重要提示: 显示所有产品的原型。实际交付的产品可能有所不同产品规格,功能和软件如有更改,恕不另行通知迄今为止对于大多数的使用说明书,请访问www.truefitness.com 对于其他语言的文档,请访问www.truefitness.com/resources/document-library/

اهم:
اهمى لست يلى عفا جتنملا فل تخت دق . جذومنلا يه ضرور عمل تاجت نملا عىم ج .
راعش! نود رى غتلى لى باق جماربل او تازىملا او ، جتنملا تافص او م .
www.truefitness.com قرأى زى جى جرى كلالملا لى لد نألا ىت ح لصى ام مظعمل
www.truefitness.com/resources/document-library/ قرأى زى جى جرى ، عى فاض! تاغل يف تادنن سملل

WICHTIG: Alle hier gezeigten Produkte sind Prototypen. Das tatsächliche Produkt ausgeliefert wird, kann variieren. Produkt-Spezifikationen, Funktionen und Software können sich ohne vorherige Ankündigung ändern. In den meisten Fällen bis zu Bedienungsanleitung Bisher besuchen Sie bitte www.truefitness.com. Für Dokumente in weiteren Sprachen finden Sie unter www.truefitness.com/resources/document-library/

BELANGRIJK: Alle getoonde producten zijn prototype. Daadwerkelijke product geleverd kan verschillen. Product specificaties, eigenschappen & software zijn onderhevig aan verandering zonder kennisgeving. Voor de meest actuele handleiding van de eigenaar kunt u terecht www.truefitness.com. Voor documenten in andere talen kunt u terecht op www.truefitness.com/resources/document-library/

ВАЖНО: Все товары указаны прототипа. Фактический продукт, поставляемый могут отличаться. Технические характеристики, особенности и программного обеспечения могут быть изменены без предварительного уведомления. Для получения самой последней на сегодняшний день руководство по эксплуатации пожалуйста, посетите www.truefitness.com
.Для документов на другие языки, пожалуйста, посетите www.truefitness.com/resources/document-library/

A MESSAGE TO OUR CUSTOMERS

Frank Trulaske began TRUE Fitness® over thirty-five year ago with the simple philosophy of delivering superior fitness products, service, and support. Today, TRUE is the global leader in premium fitness equipment for the commercial and residential markets. Our goal is to be the leader in technology, innovation, performance, safety and style. TRUE has received many awards for its product over the years and remains the benchmark for the industry. Fitness facilities and consumers invest in TRUE products for their durable commercial platforms used in all its products, both commercial and residential alike.

The proud manufacturing tradition of quality and the culture of innovation at TRUE have given rise to a full line of extraordinary cardio and strength equipment. As a result, people all over the world are benefiting from the TRUE experience. Innovation across the full product line has made TRUE successful and is a trademark of the TRUE heritage. TRUE's patented Heart Rate Control technology is just one of the remarkable ways we deliver simple and superior performance every user can enjoy, and most importantly, use to achieve personal health and fitness goals.

At the heart of our success is the relentless and systematic life testing of both our products and their components. We have dedicated employees who understand our philosophy is to deliver the best products in the world.

Our goal is to deliver the world's best premium equipment for our customers' health and fitness solutions.

Table of Contents

CHAPTER 1: SAFETY INSTRUCTIONS	5
• COMMERICAL MAINTENANCE SCHEDULE:	9
CHAPTER 2: ASSEMBLY GUIDE	10
• MACHINE SPECIFICATIONS:	10
• REQUIRED TOOLS:.....	11
• COMPLIANCES:	11
• PRE-ASSEMBLY CHECKLIST:.....	13
• ASSEMBLY STEPS:	15
• EXPLODED VIEWS:.....	33
CHAPTER 3: CARE & MAINTENANCE	36
• DAILY INSPECTION & MAINTENANCE:.....	36
• WEEKLY INSPECTION & MAINTENANCE:	36
• OTHER SCHEDULED PREVENTIVE MAINTENANCE:	37
• CLEANING THE EQUIPMENT:	37
• CABLE INSPECTION & MAINTENANCE:.....	38
CHAPTER 4: CUSTOMER SERVICE.....	40
• CONTACTING SERVICE:.....	40
• CONTACTING SALES:.....	40
• REPORTING FREIGHT OR PARTS DAMAGE:.....	41
CHAPTER 5: ADDITIONAL INFORMATION:.....	42

CHAPTER 1: SAFETY INSTRUCTIONS



FACILITY AND USER SAFETY PRECAUTIONS

1. Review and understand all of the warning labels affixed to this machine and on the facility safety sign.
2. Be certain that the machine operation is understood before it is used. Refer to the instructional procedure label affixed to the machine.
3. Make sure all users are properly trained on how to use this equipment. If this machine is being used in a commercial setting, end users may not have access to this owners manual. It is the responsibility of the facility to instruct users as to the proper usage of the equipment as well as making them aware of potential hazards. Maximum user weight is 300 lbs (136 kg) unless otherwise stated in the manual.
4. Use each machine only for the intended exercise. Do not allow anyone to invent exercises not included on the instructional procedure label or the intended use Label.
5. Do not modify the machine.
6. This equipment meets industry safety standards for stability when used for the intended exercise. Do not allow straps, resistance bands or other means to be attached to the framework of this machine to perform stretching or body weight exercises. This can result in machine instability and lead to serious crushing injuries.
7. Keep children away from this equipment. Adults should closely supervise use by teenagers.
8. It is recommended that users receive a thorough medical exam before commencing an exercise program. All medical issues should be reviewed to ensure that weight training will not aggravate pre-existing medical conditions.
9. If the machine appears damaged or inoperable, contact a facility staff member to place an "OUT OF ORDER, DO NOT USE" sign on the machine until it is repaired. Only use TRUE supplied replacement components to service this machine.
10. Instruct users not to wear loose or dangling clothes or have headphone wires hanging when using this equipment.
11. Do not attempt to free any jammed assemblies by yourself as this may cause injury.
12. On Plate Loaded and Free Weight machines:
 - 12a. Use of spotter(s). Instruct users to seek the advice of the facility staff as to the appropriate use of spotters when lifting. More than one spotter may be required depending upon the amount of weight being lifted.
 - 12b. Instruct users to load weight plates evenly and carefully to avoid tipping equipment and crushing injuries.
 - 12c. If the machine is equipped with safety stops or catches, inspect them and verify their proper operation before use and make sure they are securely in place before using or exiting the machine. Be certain members are instructed on how to operate and adjust all safety mechanisms.

CHAPTER 1: SAFETY INSTRUCTIONS

- 12d. This equipment is designed for standard olympic size weight plates with a 50mm bore (1.9").
- 12e. Do not exceed the maximum weight capacity of the machine. Maximum plate size is 45 lbs. (25 kg.).
13. On Selectorized and Cable equipped machines:
- 13a. Do not allow users to perform any exercise by holding the end of the cable and/or the cable end fitting. Use only appropriate handles or attachments properly connected to the cable end.
- 13b. Do not high-pin or double-pin the weight stack. Do not allow the machine to be used if the top plate or weight stack is pinned in a raised position. Use an assistant and carefully return the machine to the proper position with the cap plate resting on the top weight. Inspect the entire length of the cable to ensure that it is properly seated in all of the pulley grooves.
- 13c. Do not allow the use of weight plates or dumbbells to be used as a means to add additional weight to the weight stacks. Use only the TRUE adder weight system specifically designed for the machine.



INSTALLATION SAFETY PRECAUTIONS

1. Read this installation manual entirely before assembling this equipment.
2. Verify that there is adequate space surrounding this piece of equipment for safe access and operation. Installation must meet ADA requirements for accessibility.
3. Install this piece of equipment on a solid level surface that does not deviate more than 1/8" over a 10' distance (or as defined and required by local building and architectural codes.)
4. TRUE strongly recommends that all equipment be anchored to the floor to prevent movement and increase stability.
 - Due to the wide variation of flooring on which the unit can be installed, contact a qualified contractor to determine an appropriate fastening system for your floor.
 - Use 3/8" diameter hardware (10 mm) to anchor the machine. Anchors should have a minimum pull out force of 220 lb (110 kg) for each position.
 - When attaching the machine to the floor, if there is a gap between the machine foot and the floor, do not use the anchor to remove the gap as this can cause the machine frame to deform. Instead, place a shim between the bottom of the foot and the floor, then tighten the anchor.
 - Anchoring holes are provided on the feet of the frame. All anchoring locations must be used when anchoring the equipment to the floor.
5. DO NOT install any fitness equipment near a pool, hot tub or other damp locations. Corrosion caused by installation in these locations can lead to premature failure of components.
6. Be sure all hardware is tight before using this machine.
7. Some assembly materials may come preassembled in the carton. Refer to Chapter 2: Assembly Guide for instructions on disassembling assembly materials where appropriate before beginning assembly.

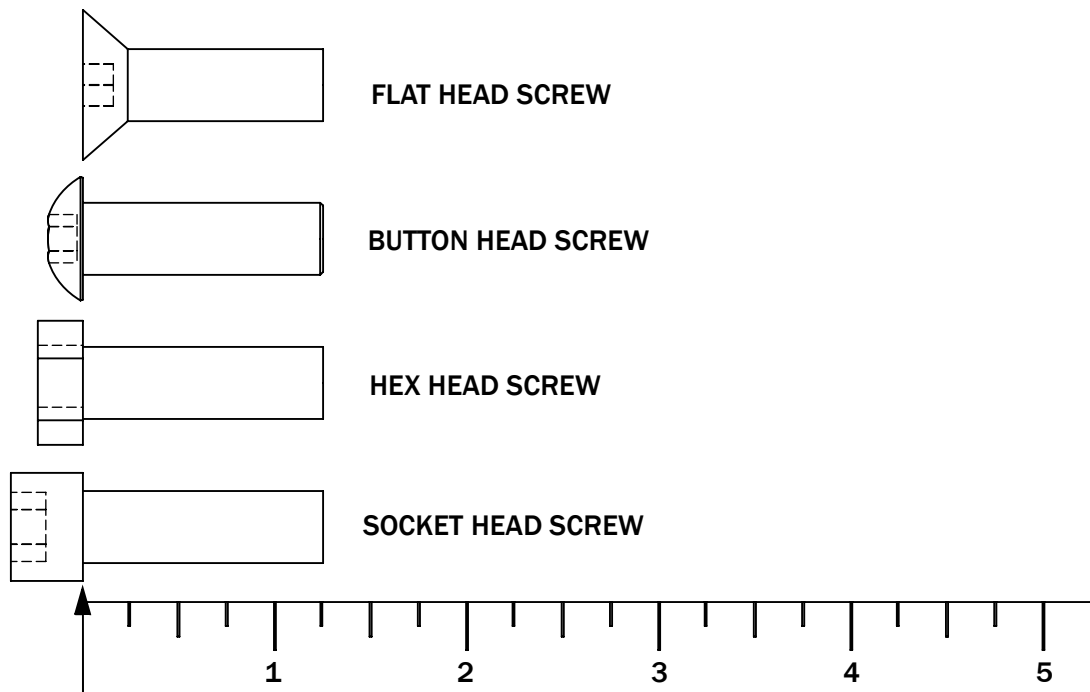
CHAPTER 1: SAFETY INSTRUCTIONS



MAINTENANCE SAFETY PRECAUTIONS

1. Refer to the maintenance schedule table in this manual for when to perform maintenance.
2. Check the function of your machine DAILY by verifying the following:
 - If equipped with cables, inspect cables and end fittings for any signs of wear. Replace if worn, frayed, or damaged with TRUE replacement components.
 - Verify that all adjustments are possible and carried out with ease. Make sure that each adjustment pin inserts completely into each position without binding.
 - Verify that safety catches and stops are in proper working order and engaged.
 - Verify that the exercise is performed smoothly, free of noise, and/or binding.
 - If equipped with a weight stack, verify that the proper weight selector pin is in place.
3. Check the function of your machine WEEKLY by verifying the following:
 - Nuts, Bolts, and Fasteners: check tightness weekly. If any hardware has become loose, retighten it, use Loctite™ Threadlocker 242, or both.
 - Frames and Lifting Arms: Inspect weekly for integrity and function. Replace any component at first signs of wear. Use only TRUE supplied components.
4. Replace any warning label at the first sign of wear. Labels and the facility safety sign may be obtained from TRUE.

BOLT LENGTH MEASURING GUIDE



CHAPTER 1: SAFETY INSTRUCTIONS



IMPORTANT

Preventative maintenance is crucial to maintaining the function and safety of this equipment. Your facility must establish written guidelines for preventative maintenance and keep written or online records of the maintenance performed on these products. As a minimum, the items presented in the SAFETY section of this document and the items that follow here, should be included in your maintenance program.

1. **Cables (If equipped):** inspect end fittings daily for wear. Inspect the entire length of the cable weekly. Replace cables at the first sign of wear and on an annual basis. If the cable tension has been adjusted, be certain that the cable nut is tight.
2. **Nuts, Bolts, and Fasteners:** check tightness weekly. If any hardware has become loose, retighten and/or use Loctite[™] brand Threadlocker 242. Be sure all hardware is tight before using the machine.
3. **Safety Catches:** inspect catches, stop rods and their associated fasteners weekly. Tighten any loose hardware and replace any components at first signs of wear.
4. **Frames:** sweat, disinfecting sprays and spills can lead to corrosion which may lead to premature failure of components. Wipe all machines down with a damp cloth and dry completely each day. This includes painted parts, chrome parts and upholstered pads.
5. **Painted and chrome plated parts:** use Simple Green with a dilution of 32:1 or similar cleaner for light dirt and grime. Use Turtle Wax Polishing Compound or a good car polish to remove heavier dirt and grease as well as for polishing. **DO NOT** use solvents, lacquer thinner, acetone or finger nail polish remover. For scuffs and marks that are not removed by the above methods use a soft scrub cleanser. Make sure all parts are dry upon completion.
6. **Weight stack enclosures (shrouds)(If Equipped):** wipe down with a damp cloth as needed.
7. **Exercise instruction labels:** clean with soap and water as needed.
8. **Guide rods (If equipped):** wipe all dirt and dust from the guide rods before applying a light application of Tri-Flow[™] or other teflon spray lubricant. Spray the Tri-Flow[™] on a rag and then wipe the guide rods with the rag. **DO NOT** use oil lubricants such as WD-40. Caution: Tri-Flow[™] will stain carpet and clothing.
9. **Bronze bushings:** check monthly for signs of wear and replace as needed.
10. **Linear Bearing Shafts:** wipe any accumulation of dust or other contaminants from the shafts on a weekly basis. Apply a thin layer of a Teflon[®] (PTFE) grease on a weekly basis. TRUE recommends Magnalube[®] brand.
11. **When replacing any component, use only TRUE supplied parts.**
12. **Be sure all hardware is tight before using the machine.**

Retain these instructions for future reference.

If you have any questions, do not hesitate to contact your TRUE dealer or TRUE Fitness Technology at (800)883-8783 or service@truefitness.com.

CHAPTER 1: SAFETY INSTRUCTIONS

COMMERICAL MAINTENANCE SCHEDULE

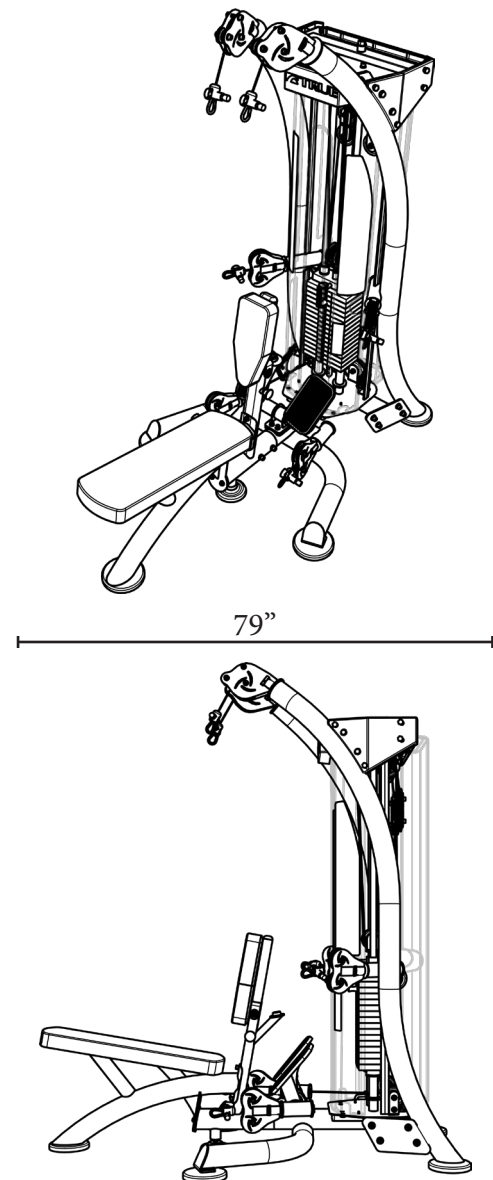
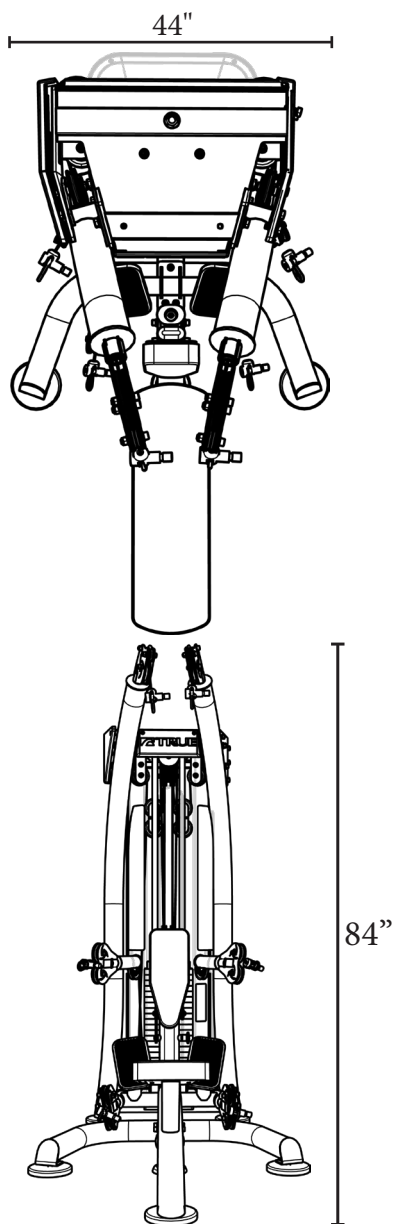
	DAILY	WEEKLY	MONTHLY	6 MONTHS	ANNUALLY
INSPECT: Cables for wear, tension, and proper connection if equipped.	X				
INSPECT: All nuts and bolts and tighten if needed.		X			
INSPECT: All anti-slip surfaces and replace as needed.		X			
INSPECT: All adjustment pins, weight stack pins, set screws, gas shocks, snap links, and pulleys if equipped.	X				
INSPECT: All accessory bars and handles.		X			
INSPECT: All safety and instructional decals.	X				
INSPECT: All weight stack shields if equipped.	X				
CLEAN: Guide rods and lubricate with a teflon lubricant if equipped.			X		
CLEAN: Upholstery	X				
LUBRICATE: Pivot bearings and linear bearings.				X	
REPLACE: Cables if equipped.					X

CHAPTER 2: ASSEMBLY GUIDE

MACHINE SPECIFICATIONS:

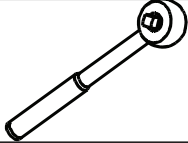

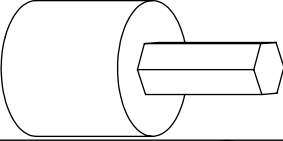
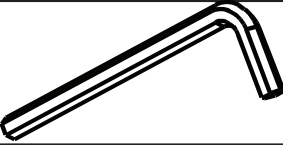
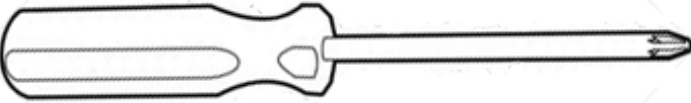
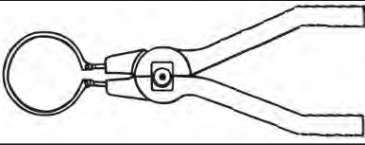

Features

- Weight stack: 21 positions, 10-210 lb. (4.5-77 kg.) with 10 lb. weight plate increments.
- 20 vertical position adjustments for 210 lb. weight stack
- Weight of assembled machine: 594 lb. (270 kg.) with 210 lb. weight stack.
- Floor loading:
 - For 210 lb. weight stack it is 35 lb/ft² (171 kg/m²)



CHAPTER 2: ASSEMBLY GUIDE

REQUIRED TOOLS:

	<p style="text-align: center;">Ratchet Handle</p>
	<p style="text-align: center;">13, 16, 18 mm Socket Head</p>
	<p style="text-align: center;">5, 6, 8, 10 mm Hex Bit Socket</p>
	<p style="text-align: center;">Allen Wrench (supplied):</p> <ul style="list-style-type: none"> • 5, 6, 8, 10 mm
	<p style="text-align: center;">Phillips Head Screw Driver</p>
	<p style="text-align: center;">External Snap Ring Pliers, 90 degrees</p>
	<p style="text-align: center;">Step Ladder</p>

COMPLIANCES:

This equipment complies with all fitness product standards. For a complete list of compliances, please visit www.TrueFitness.com.

CHAPTER 2: ASSEMBLY GUIDE

WORKOUT PLACARD:

BASIC EXERCISES QUICKFIT

LEGS

SQUAT

START END
Muscles: Quadriceps, Hamstrings, Glutes

KICKBACK

START POSITION END POSITION
Muscles: Glutes

INNER THIGH

START POSITION END POSITION
Muscles: Adductor Group

OUTER THIGH

START POSITION END POSITION
Muscles: Abductor Group

CHEST & BACK

CHEST PRESS

START POSITION END POSITION
Muscles: Pectoralis, Deltoids, Triceps

PEC FLY

START POSITION END POSITION
Muscles: Pectoralis, Deltoids, Triceps

LAT PULLDOWN

START POSITION END POSITION
Muscles: Latissimus Dorsi, Biceps

SEATED ROW

START POSITION END POSITION
Muscles: Latissimus Dorsi, Deltoids, Triceps

SHOULDERS


OVERHEAD PRESS

START POSITION END POSITION
Muscles: Deltoids, Triceps, Trunk

LATERAL RAISE

START POSITION END POSITION
Muscles: Deltoids, Traps

BASIC EXERCISES QUICKFIT



Scan QR
Instructional Video:
JBL-FIT-SM1050

SPORTS SPECIFIC

FOREHAND SWING

START END
Muscles: Deltoids, Pectoralis, Biceps

BACKHAND SWING

START POSITION END POSITION
Muscles: Deltoids, Triceps, Traps

OVERHAND SWING

START POSITION END POSITION
Muscles: Deltoids, Pectoralis, Triceps

UNDERHAND SWING

START POSITION END POSITION
Muscles: Deltoids, Pectoralis, Biceps

ARMS

TRICEPS EXTENSION

START POSITION END POSITION
Muscles: Triceps

BICEPS CURL

START POSITION END POSITION
Muscles: Biceps Brachii

CORE

ABDOMINAL BRIDGE

START POSITION END POSITION
Muscles: Pectoralis Abdominis, Erector Spinae

TORSED ROTATION

START POSITION END POSITION
Muscles: Pectoralis Abdominis, Internal & External Obliques

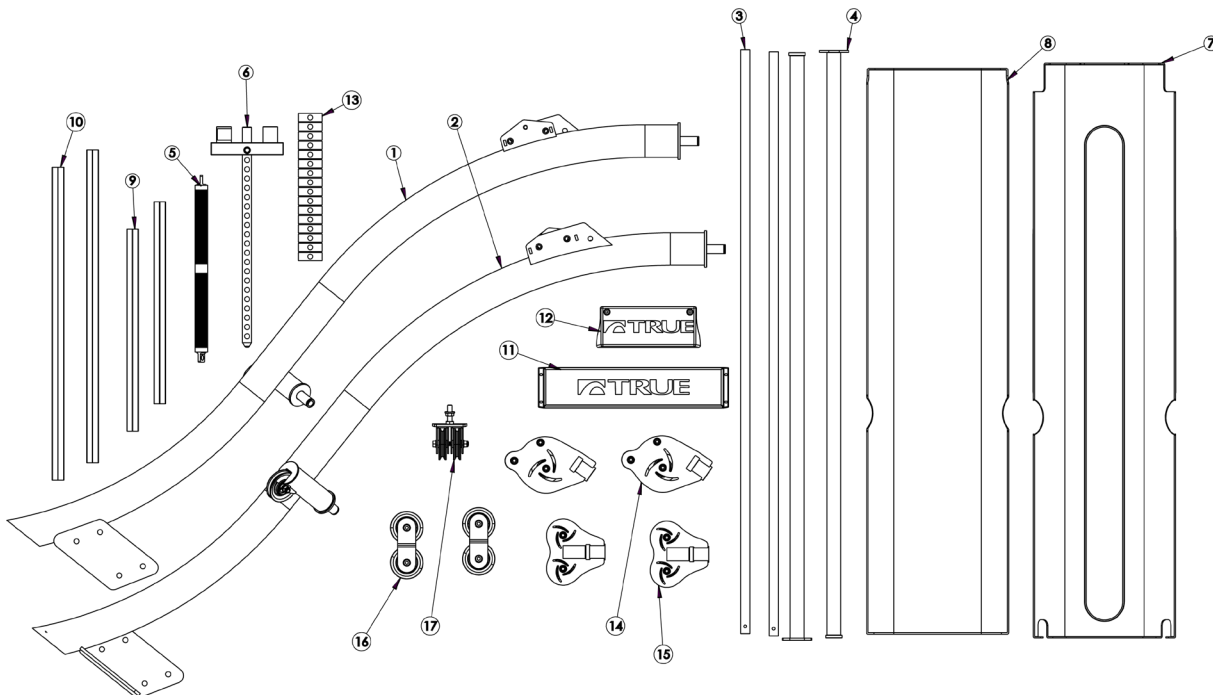
CHAPTER 2: ASSEMBLY GUIDE

PRE-ASSEMBLY CHECKLIST:

Carton One Contents

Note: Hardware item numbers on the tooling card may not match the hardware item numbers shown in the owner's manual.

Item	Part Number	Description	Quantity
1	SM-1050SF400X	LEFT SIDE FRAME ASSEMBLY	1
2	SM-1050SF300X	RIGHT SIDE FRAME ASSEMBLY	1
3	SM-2000GR001	WEIGHT GUIDE ROD	2
4	SM-1050CL000	HANDLE COLUMN	2
5	SM-2000RH000X	ROW HANDLE	1
6	SM-2000TP020X	TOP PLATE W/ SELECTOR BAR ASSEMBLY	1
7	SM-1050FS001X	FRONT SHROUD ASSEMBLY	1
8	SM-2000RS001	REAR SHROUD	1
9	SM-2000PL009	H CHANNEL 553mm LONG	2
10	SM-2000PL008	H CHANNEL 844.5mm LONG	2
11	SM-2000PL000	REAR PLASTIC	1
12	SM-2000PL003	FRONT PLASTIC	1
13	LBL-SM2000-160	QF WEIGHT PLATE DECAL	1
14	SM-2000PH100X	TOP PULLEY HOUSING	2
15	SM-2000PH200X	PULLEY HOUSING ASSEMBLY	2
16	SM-1050PH500X	FLOATING PULLEY HOUSING	2
17	SM-1050BR050	PULLEY HOUSING ON TOP PLATE, ASSEMBLY	1



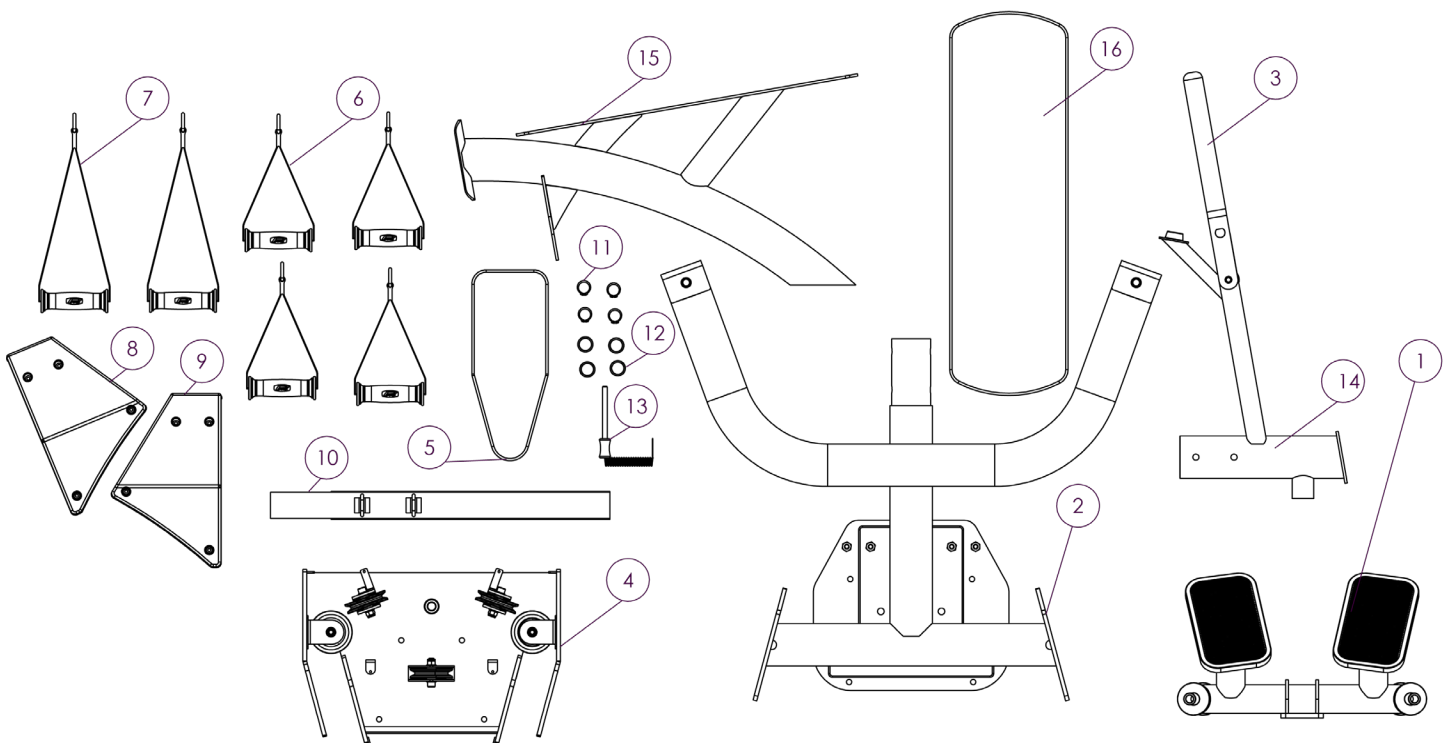
CHAPTER 2: ASSEMBLY GUIDE

PRE-ASSEMBLY CHECKLIST:

Carton Two Contents

Note: Hardware item numbers on the tooling card may not match the hardware item numbers shown in the owner's manual.

Item	Part Number	Description	Quantity
1	SM-1050FB000X	FOOT PLATE ASSEMBLY	1
2	SM-1050MF000X	MAIN FRAME BOTTOM ASSEMBLY	1
3	SM-1050SB100X	SEAT BACK FRAME ASSEMBLY	1
4	SM-1050TF000X	TOP FRAME ASSEMBLY	1
5	SM-1050PD001X	SEAT BACK PAD	1
6	SM-2000HD000X	SHORT HANDLE	4
7	SM-2000HD002X	LONG HANDLE	2
8	SM-2000PL001	RIGHT PLASTIC	1
9	SM-2000PL002	LEFT PLASTIC	1
10	SM-2000TS001X	THIGH STRAP	1
11	SM-2000RR000	RETAINING RING FOR SHAFT 25mm DIA	4
12	SM-2000SP010	SPACER SLEEVE 32mm X 25.5mm X 4mm	4
13	SM-2000SP000X	SELECTOR PIN 10mm X 121mm	1
14	SM-1050SB000X	SEAT BACK BASE ASSEMBLY	1
15	SM-1050SF000X	SEAT FRAME WELDMENT	1
16	SM-1050PD002X	SEAT PAD ASSEMBLY	1



CHAPTER 2: ASSEMBLY GUIDE

ASSEMBLY STEPS:

Step 1 (Right Side Frame Assembly):

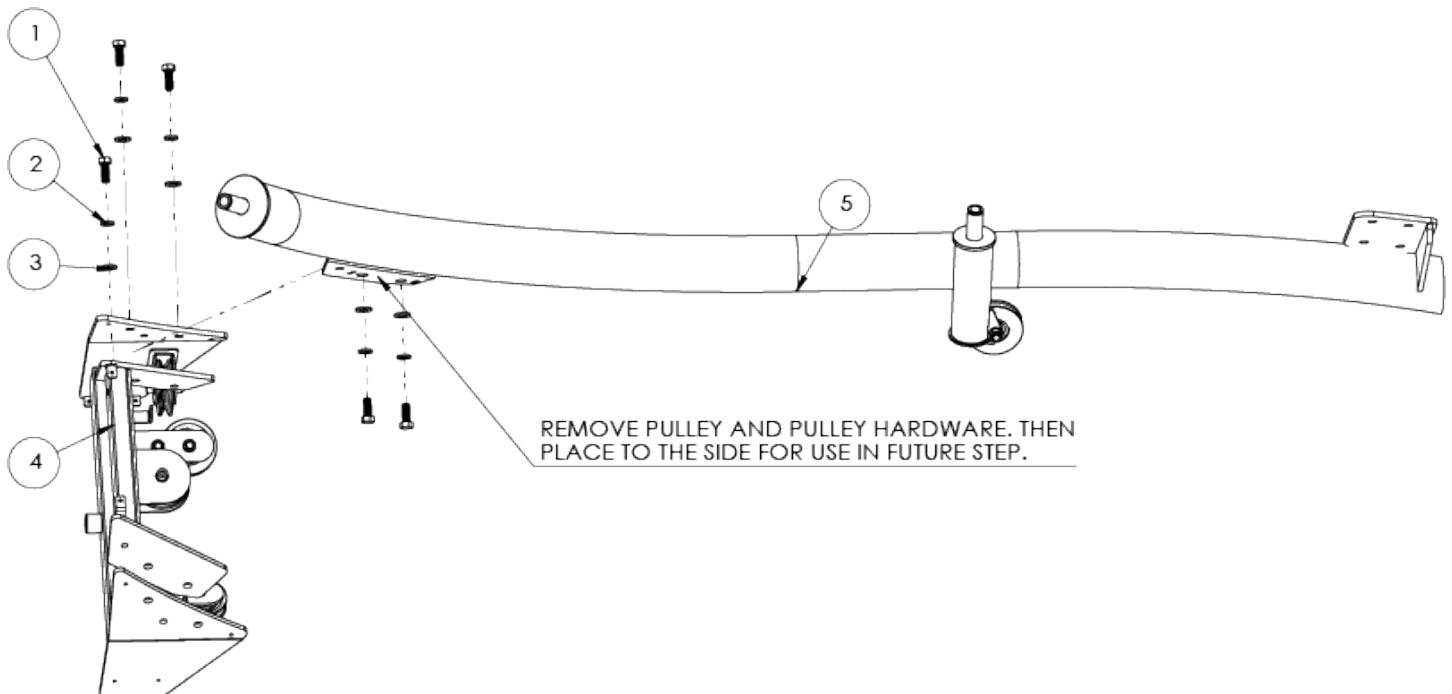
Secure the top frame assembly to the right side frame assembly using the identified hardware.

Note: Remove the pre-assembled pulley and pulley hardware on the right side frame assembly. This will be reinstalled in Step 10B (Cable Routing).

<u>Item</u>	<u>Part Number</u>	<u>Description</u>	<u>Quantity</u>
1	C1095	HEX HEAD SCREW M12 X 1.75 X 30mm	5
2	C1094	LOCK WASHER 12.2mm ID X 21.5mm OD X 3mm THICK	5
3	C1089	FLAT WASHER 13.57mm ID X 25.4mm OD X 2.8mm THICK	5
4	SM-1050TF000X	TOP FRAME ASSEMBLY	1
5	SM-1050SF300X	RIGHT SIDE FRAME ASSEMBLY	1

Note: All assembly steps through Step 5 (Leveling Feet) must be performed with the machine in the horizontal position.

Note: Do not remove the cable pull string located under the pulley removed in this step. It will be used for cable routing in Step 10B (Cable Routing).



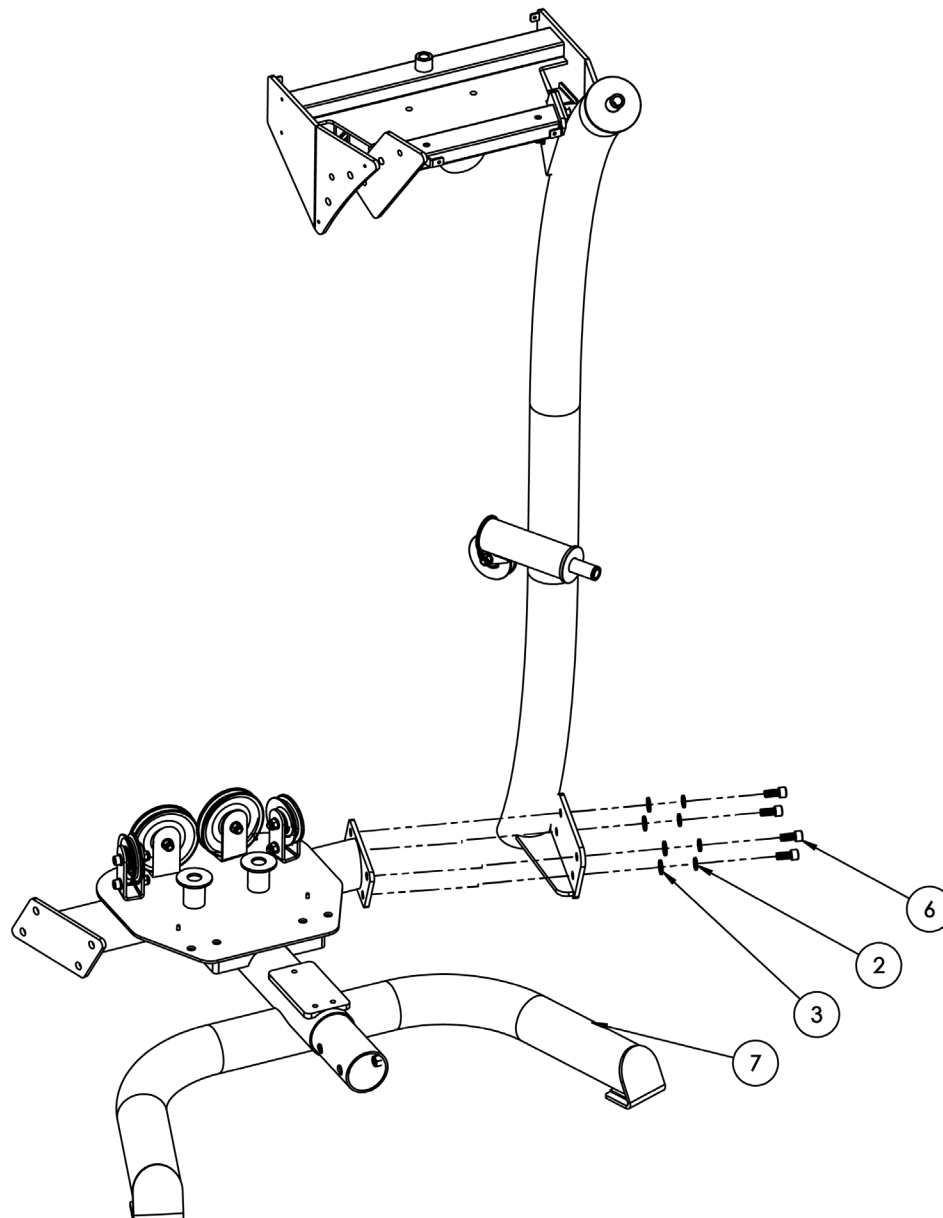
CHAPTER 2: ASSEMBLY GUIDE

ASSEMBLY STEPS:

Step 2 (Main Frame Bottom Assembly):

Secure the right side frame assembly to the main frame bottom assembly using the identified hardware.

<u>Item</u>	<u>Part Number</u>	<u>Description</u>	<u>Quantity</u>
2	C1094	LOCK WASHER 12.2mm ID X 21.5mm OD X 3mm THICK	4
3	C1089	FLAT WASHER 13.57mm ID X 25.4mm OD X 2.8mm THICK	4
6	C1103	SOCKET HEAD CAP SCREW M12 X 1.75 X 25mm	4
7	SM-1050MF000X	MAIN FRAME BOTTOM ASSEMBLY	1



CHAPTER 2: ASSEMBLY GUIDE

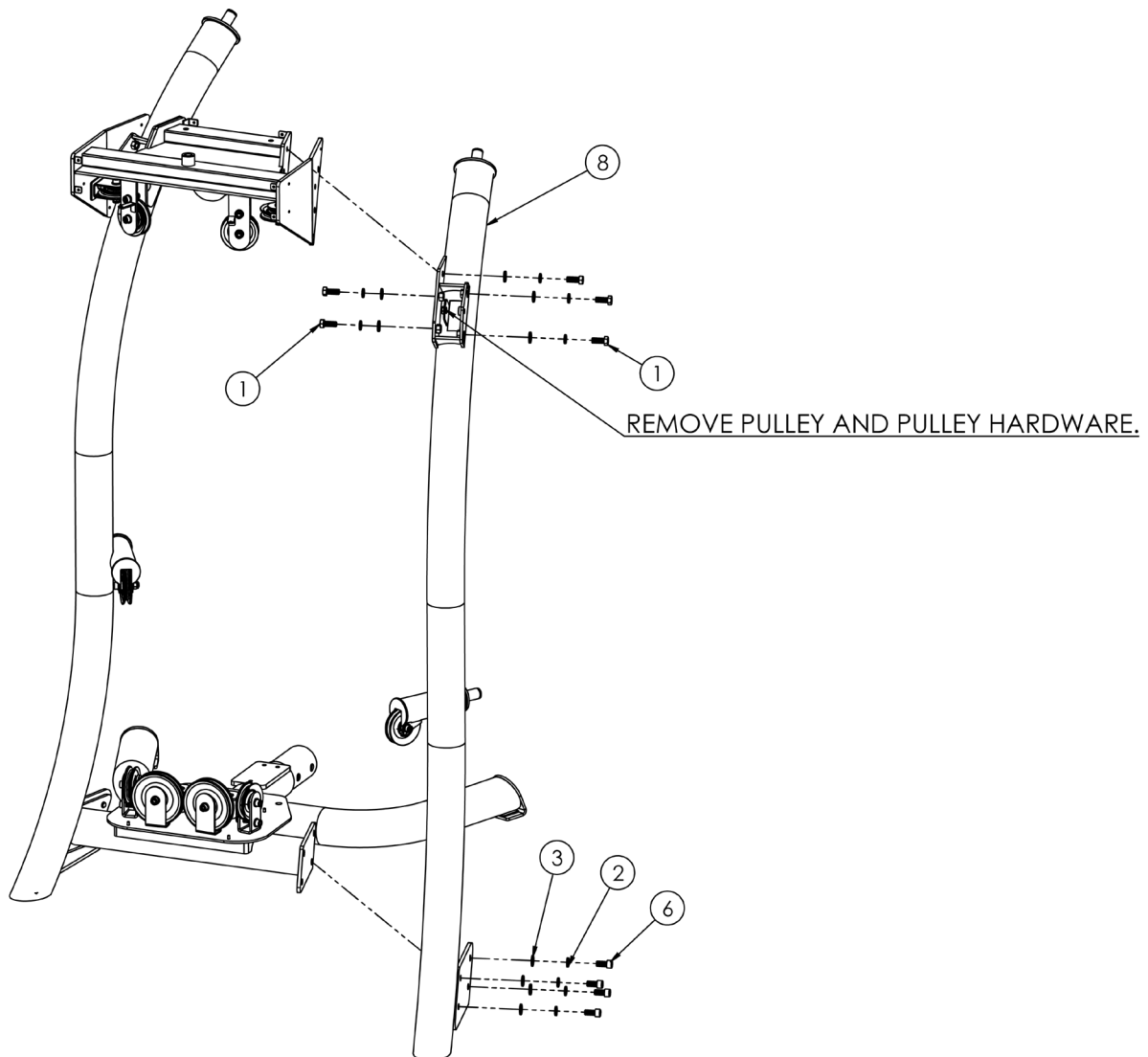
ASSEMBLY STEPS:

Step 3 (Left Side Frame Assembly):

Secure the left side frame assembly to the main frame bottom assembly and top frame assembly using the identified hardware.

Note: Remove the pre-assembled pulley and pulley hardware on the right side frame assembly. This will be reinstalled in Step 10B (Cable Routing).

Item	Part Number	Description	Quantity
1	C1095	HEX HEAD SCREW M12 X 1.75 X 30mm	5
2	C1094	LOCK WASHER 12.2mm ID X 21.5mm OD X 3mm THICK	9
3	C1089	FLAT WASHER 13.57mm ID X 25.4mm OD X 2.8mm THICK	9
6	C1103	SOCKET HEAD CAP SCREW M12 X 1.75 X 25mm	4
8	SM-1050SF400X	LEFT SIDE FRAME ASSEMBLY	1



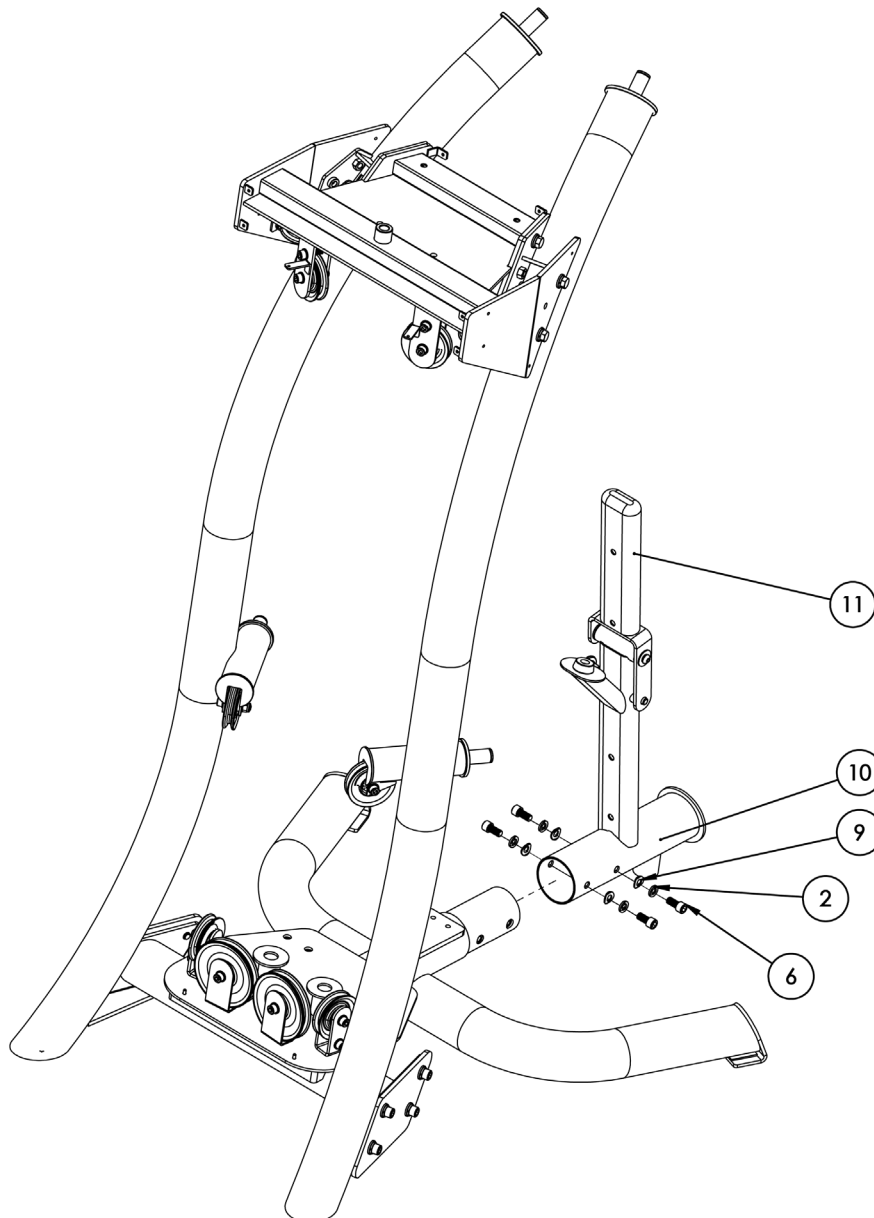
CHAPTER 2: ASSEMBLY GUIDE

ASSEMBLY STEPS:

Step 4 (Seat Back Base Assembly):

Secure the seat back base assembly to the main frame bottom assembly using the identified hardware.

<u>Item</u>	<u>Part Number</u>	<u>Description</u>	<u>Quantity</u>
2	C1094	LOCK WASHER 12.2mm ID X 21.5mm OD X 3mm THICK	4
6	C1103	SOCKET HEAD CAP SCREW M12 X 1.75 X 25mm	4
9	C1092	CURVED WASHER 12.5mm ID X 24mm OD X 2mm THICK	4
10	SM-2000SB000X	SEAT BACK BASE ASSEMBLY	1
11	SM-1050SB100X	SEAT BACK FRAME ASSEMBLY	1



CHAPTER 2: ASSEMBLY GUIDE

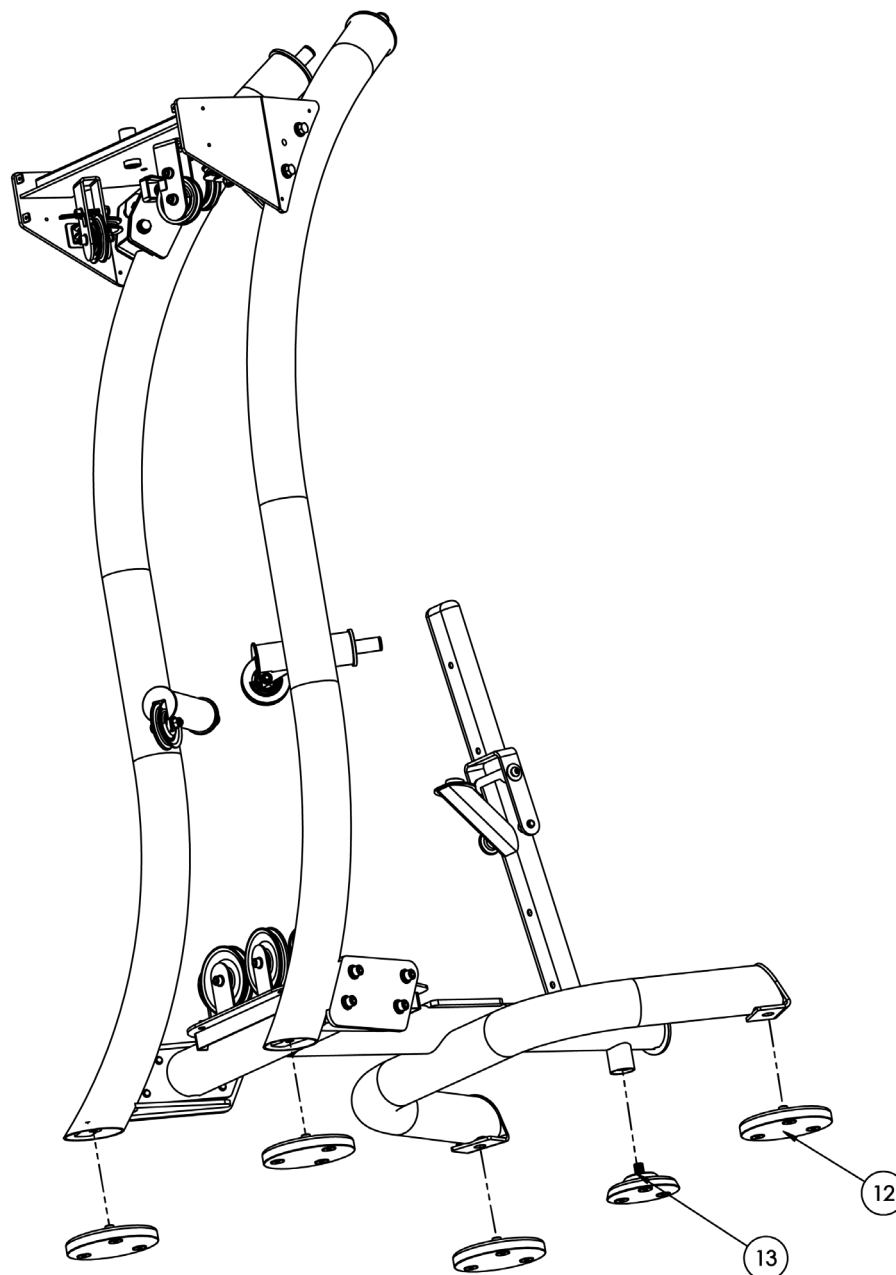
ASSEMBLY STEPS:

Step 5 (Leveling Feet):

Secure the leveling foot assemblies to the corresponding foot holes.

<u>Item</u>	<u>Part Number</u>	<u>Description</u>	<u>Quantity</u>
16	SM-2000LF000X	LEVELING FOOT ASSEMBLY	4
17	SM-2000LF100X	LEVELING FOOT ASSEMBLY	1

Note: After completing this step, place the machine in the upright position for the remaining assembly steps.



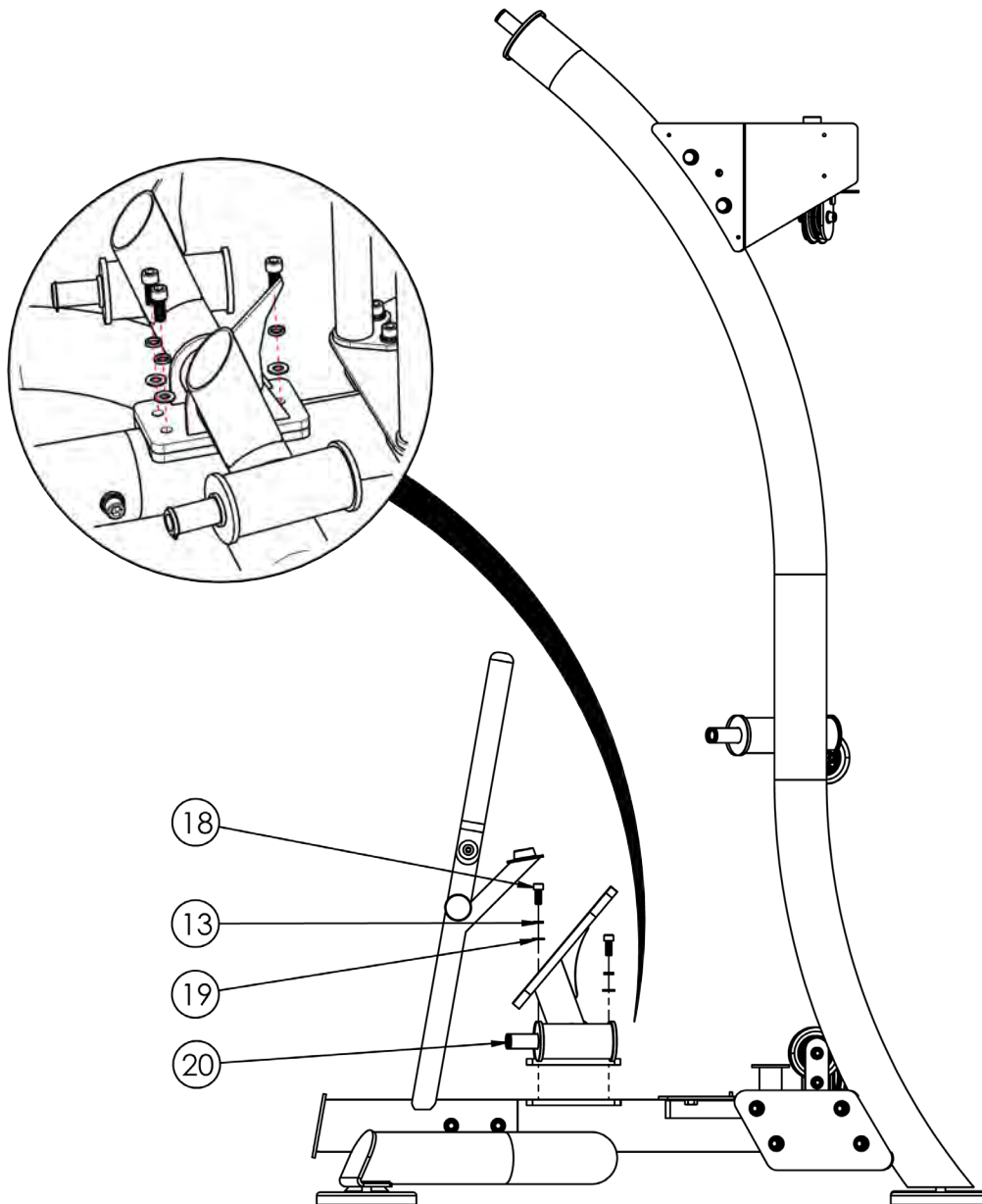
CHAPTER 2: ASSEMBLY GUIDE

ASSEMBLY STEPS:

Step 6 (Foot Plate Assembly):

Secure the foot plate assembly to the main frame bottom assembly using the identified hardware.

Item	Part Number	Description	Quantity
13	SD0246	LOCK WASHER 11mm ID X 16mm OD X 2.6mm THICK	3
18	SD0226	SOCKET HEAD CAP SCREW M10 X 1.5 X 25mm	3
19	SD0243	FLAT WASHER 10.5mm ID X 20mm OD X 2mm THICK	3
20	SM-1050FB000X	FOOT PLATE ASSEMBLY	1



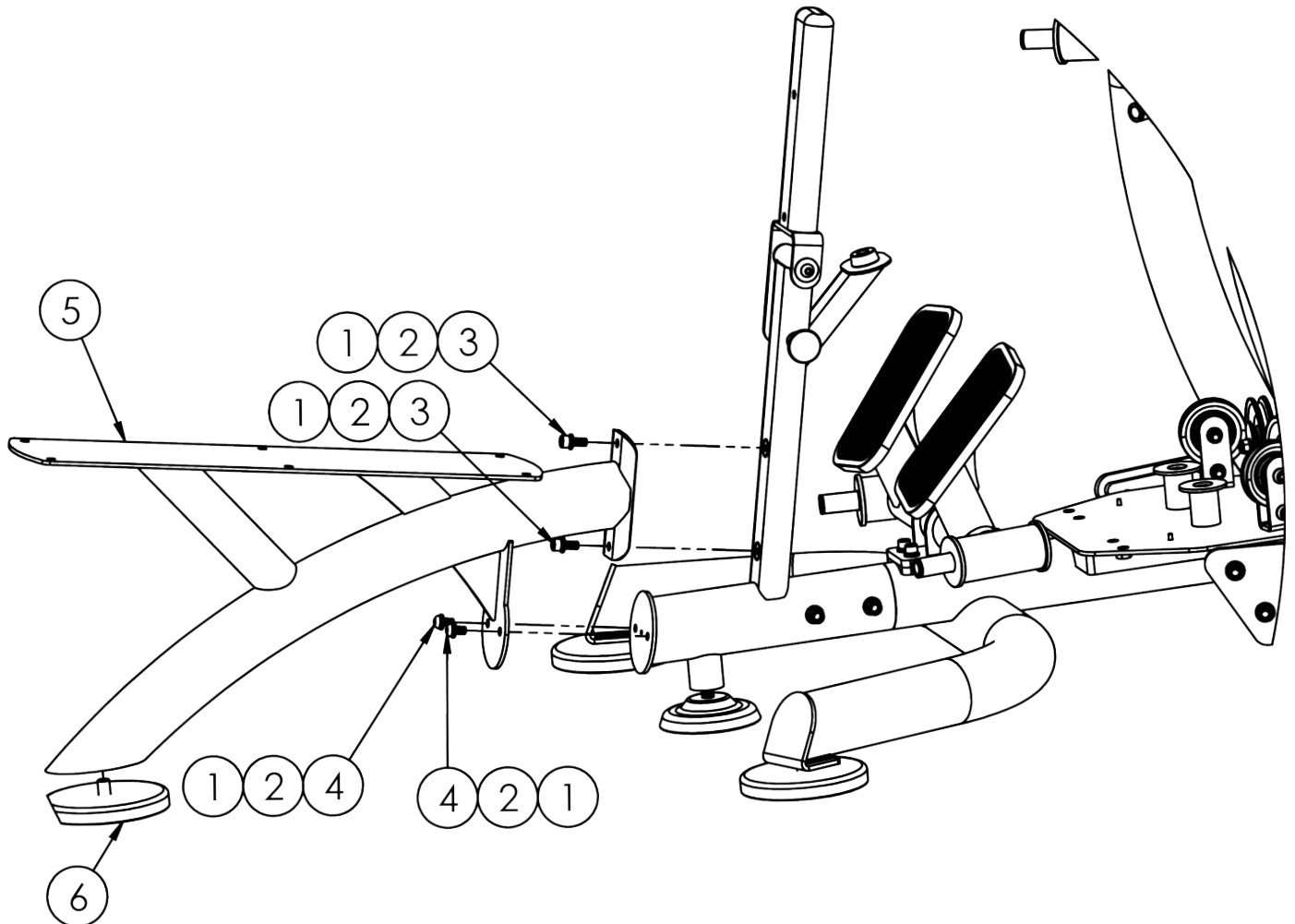
CHAPTER 2: ASSEMBLY GUIDE

ASSEMBLY STEPS:

Step 7 (Gas Shock):

Position the seat frame assembly as shown below, but do not secure it to the main frame bottom assembly until Step 8 (Seat Frame Assembly).

<u>Item</u>	<u>Part Number</u>	<u>Description</u>	<u>Quantity</u>
1	SD0243	FLAT WASHER 10.5mm ID X 20mm OD X 2mm THICK	4
2	SD0246	LOCK WASHER 11mm ID X 16mm OD X 2.6mm THICK	4
3	SD0226	SOCKET HEAD CAP SCREW M10 X 1.5 X 25mm	2
4	SD0214	SOCKET BUTTON HEAD SCREW M10 X 1.5 X 20mm	2
5	SM-1050SF000X	SEAT FRAME WELDMENT	1
6	SM-2000LF000X	LEVELING FOOT ASSEMBLY	1



CHAPTER 2: ASSEMBLY GUIDE

ASSEMBLY STEPS:

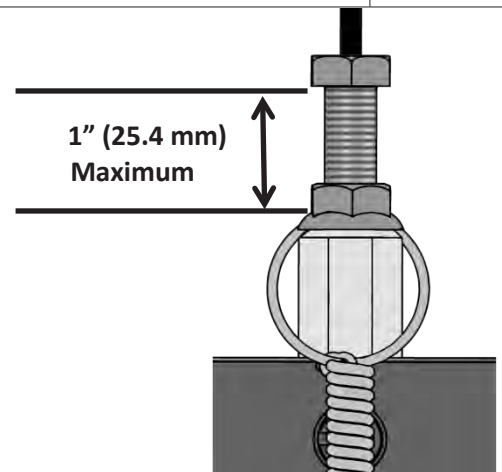
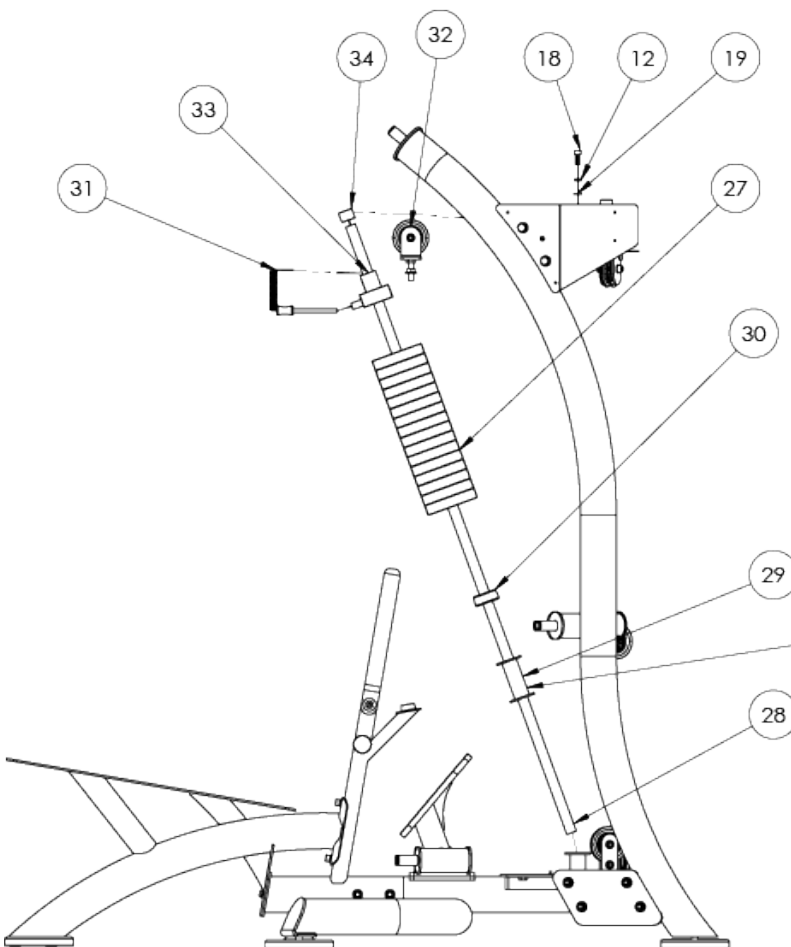
Step 9 (Top Plate and Pulley Housing):

Secure the top plate pulley housing assembly to the weight stack top plate.

Slide the top plate onto the guide rods ensuring the selector pin metal ring end is positioned around the selector bar.

Slide the nylon sleeve top caps onto each guide rod and then secure in place using the identified hardware.

Item	Part Number	Description	Quantity
12	SD0246	LOCK WASHER 11mm ID X 16mm OD X 2.6mm THICK	2
18	SD0226	SOCKET HEAD CAP SCREW M10 X 1.5 X 25mm	2
19	SD0243	FLAT WASHER 10.5mm ID X 20mm OD X 2mm THICK	2
27	S 502	WEIGHT PLATE	16
28	SM-2000GR001	WEIGHT GUIDE ROD	2
29	SM-2000WS000	WEIGHT STACK SPACER	2
30	SM-2000WB000	RUBBER WEIGHT BUMPER 62mm X 58mm X 26mm X 25mm	2
31	SM-2000SP000X	SELECTOR PIN 10mm X 121mm	1
32	SM-1050BR050	TOP PLATE PULLEY HOUSING ASSY	1
33	SM-2000TP020X	TOP PLATE W/ SELECTOR BAR ASSEMBLY	1
34	SM-2000GR002	GUIDE ROD TOP CAP NYLON SLEEVE	2



Note: See Chapter 3: Cable Inspection and Maintenance, pg. 37 for additional information.

DISREGARD THIS WEIGHT STACK SPACER IF IT SHIPS WITH THE UNIT.

CHAPTER 2: ASSEMBLY GUIDE

ASSEMBLY STEPS:

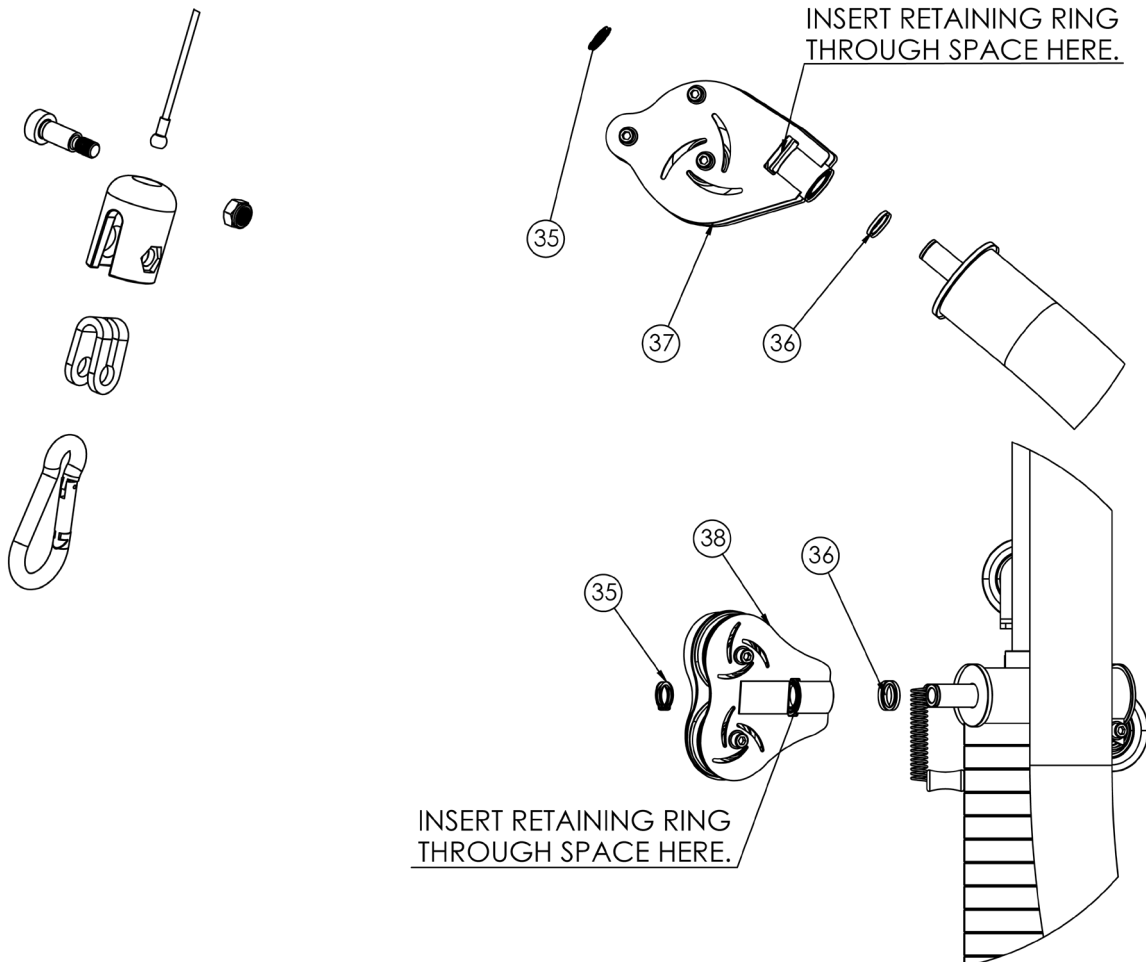
Step 10A (Cable Ends and Pulley Housings):

Assemble the right cable end assembly as shown using the identified hardware.

Note: The right cable end assembly will be assembled after all cable routing is completed in Step 10C (Cable Routing).

Slide a spacer sleeve onto each of the six shafts where a pulley housing is located. Next, slide the pulley housing assembly over the shaft. Lastly, secure the retaining ring onto the designated shaft groove through the side space of the pulley housing assembly.

Item	Part Number	Description	Quantity
35	SM-2000RR000	RETAINING RING FOR SHAFT 25mm DIA	6
36	SM-2000SP010	SPACER SLEEVE 32mm X 25.5mm X 4mm	6
37	SM-2000PH100X	TOP PULLEY HOUSING	2
38	SM-2000PH200X	PULLEY HOUSING ASSEMBLY	4



CHAPTER 2: ASSEMBLY GUIDE

ASSEMBLY STEPS:

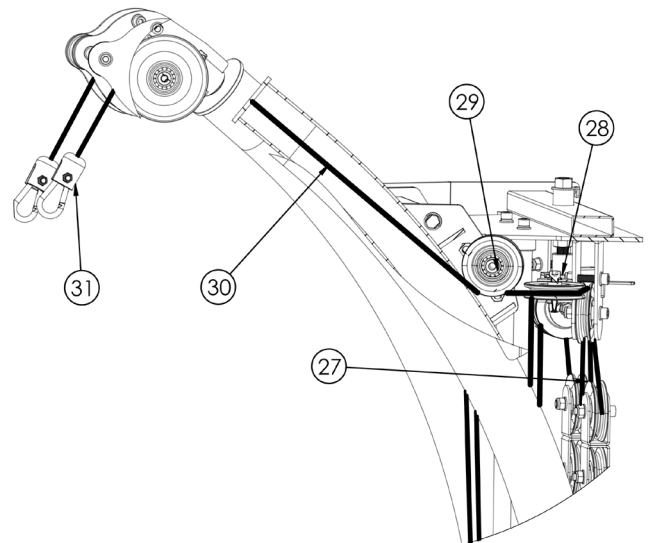
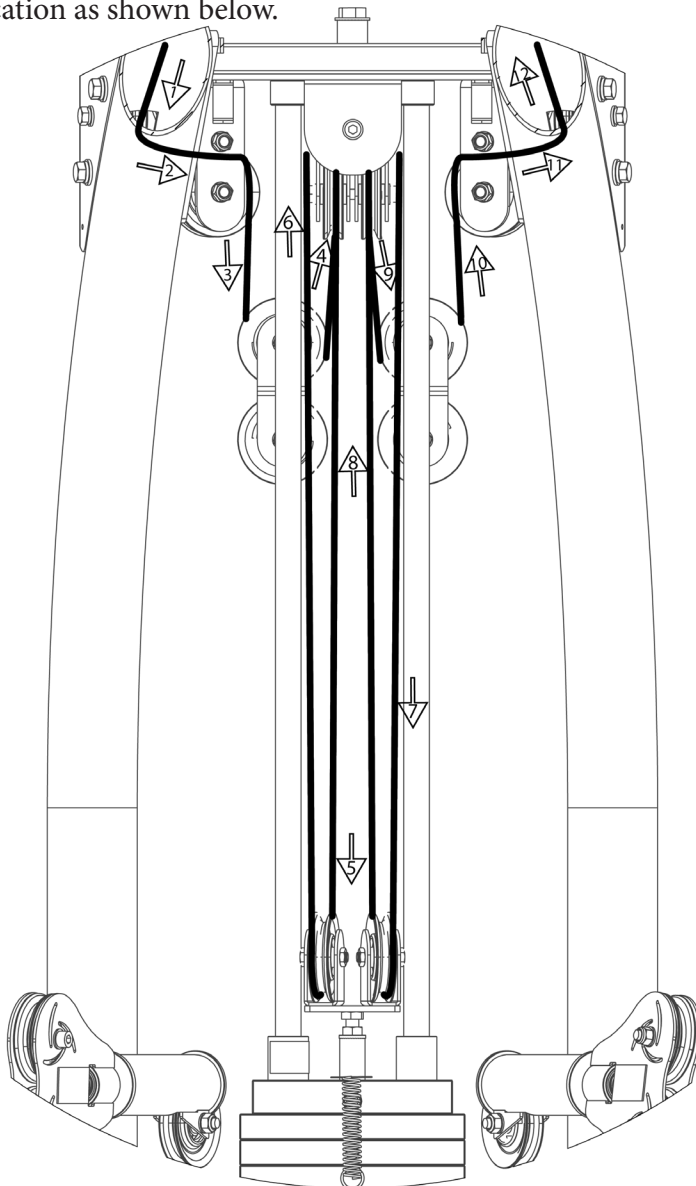
Step 10B (Cable Routing):

Secure the top pulley housing into the top frame.

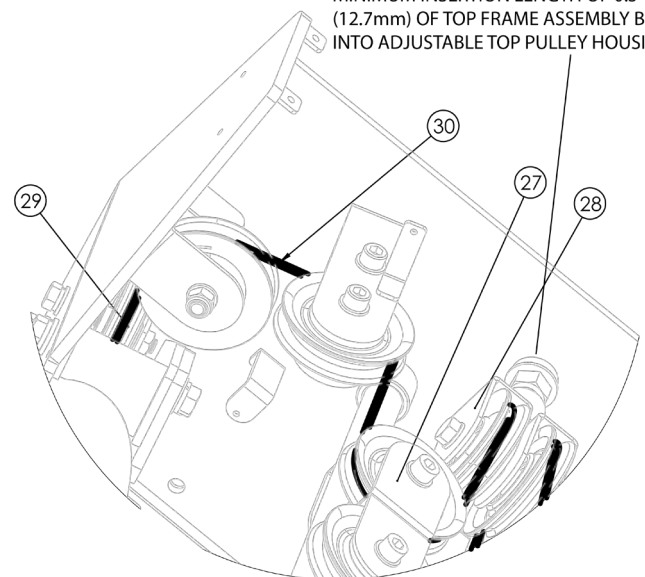
Route the upper cable as shown below.

Secure the side frame pulleys temporarily removed in Step 1 (Right Side Frame Assembly) and Step 3 (Left Side Frame Assembly) to the original location as shown below.

Item	Part Number	Description	Quantity
27	SM-1050PH500X	FLOATING PULLEY HOUSING	2
28	SM-1050PH400X	ADJUSTABLE TOP PULLEY HOUSING	1
29	SM-2000PL500	PULLEY 89mm DIA	2
30	SM-2000CB001X	UPPER QUICKFIT CABLE W/ BALL ENDS	1
31	SM-2000CL000X	END OF CABLE LINKAGE	2



MINIMUM INSERTION LENGTH OF 0.5" (12.7mm) OF TOP FRAME ASSEMBLY BOLT INTO ADJUSTABLE TOP PULLEY HOUSING.



CHAPTER 2: ASSEMBLY GUIDE

ASSEMBLY STEPS:

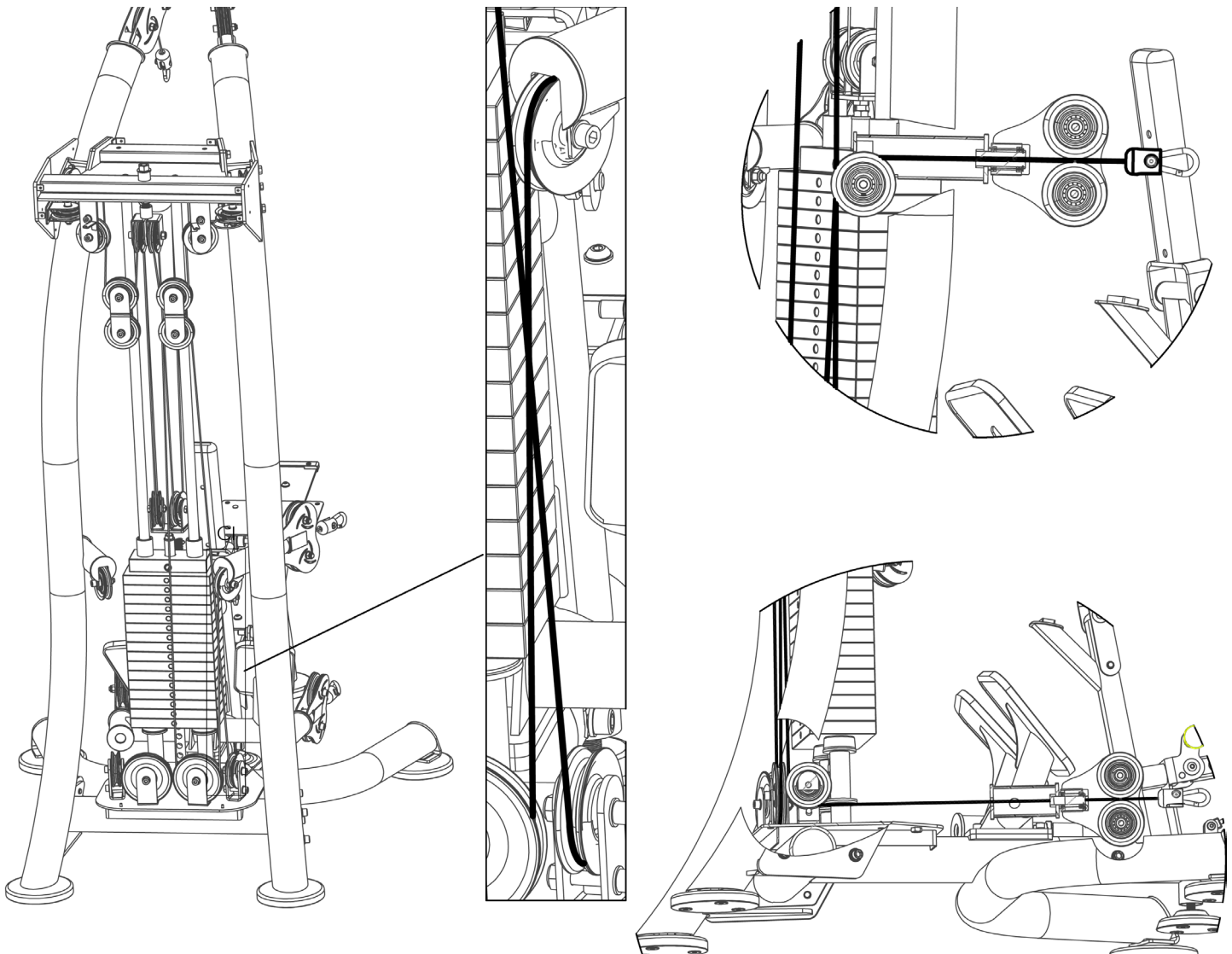
Step 10C (Cable Routing):

Route the upper and lower cables as shown below.

Note: The cable pull string will assist with upper cable routing ensuring the cable is seated in the side frame pulley grooves.

Attach the left cable end assembly as shown in Step 10A (Cable Ends and Pulley Housings).

Item	Part Number	Description	Quantity
43	SM-2000CL000X	END OF CABLE LINKAGE	4
44	SM-2000CB002X	LOWER QUICKFIT CABLE W/ BALL ENDS	1



CHAPTER 2: ASSEMBLY GUIDE

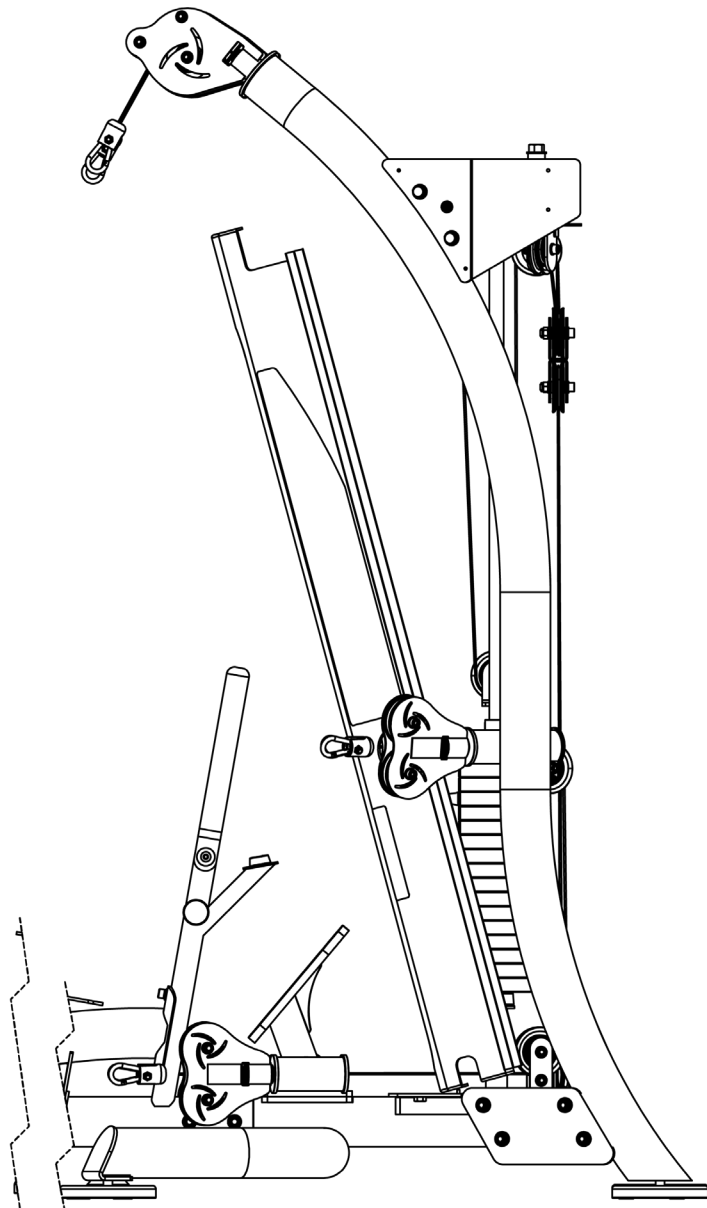
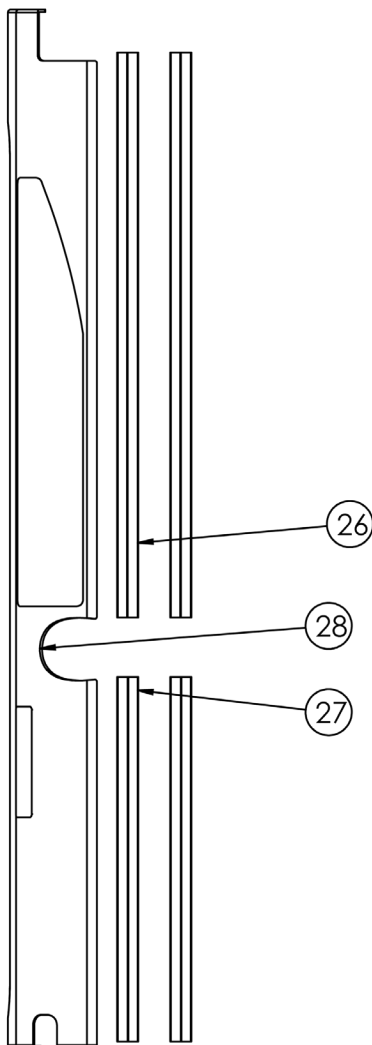
ASSEMBLY STEPS:

Step 11A (Front Shroud):

Place each H Channel onto the corresponding side of the front shroud as shown below.

Item	Part Number	Description	Quantity
26	SM-2000PL008	H CHANNEL 844.5mm LONG	2
27	SM-2000PL009	H CHANNEL 553mm SHORT	2
28	SM-1050FS001X	FRONT SHROUD	1

Align the dowel pins on the main frame bottom assembly with the corresponding holes on the front shroud to secure the front shroud in place.



CHAPTER 2: ASSEMBLY GUIDE

ASSEMBLY STEPS:

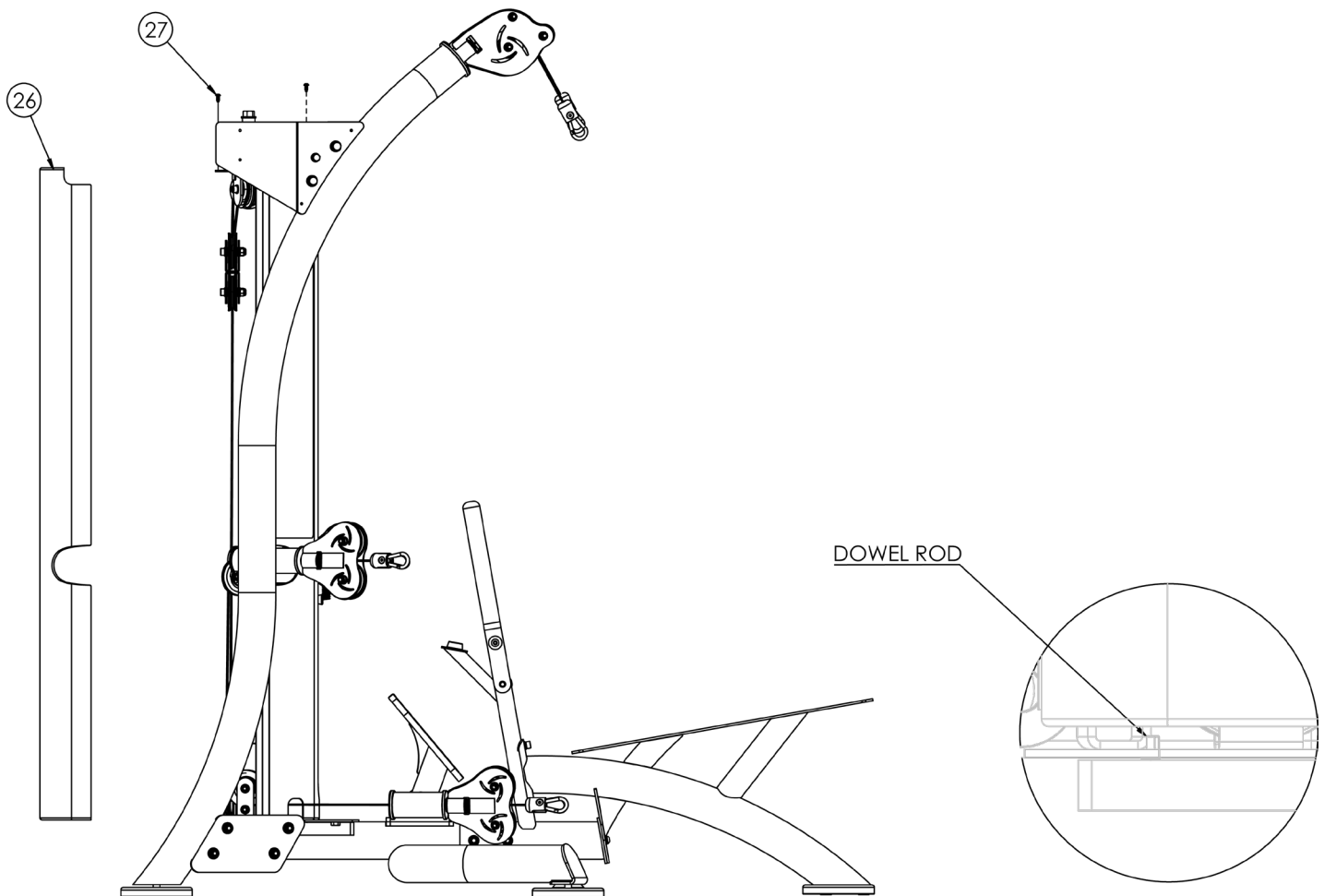
Step 11B (Rear Shroud):

Working from bottom to the top, insert the back shroud sides into the H Channels placed on the front shroud sides from Step 11A (Front Shroud).

Item	Part Number	Description	Quantity
26	SM-2000RS001	REAR SHROUD	1
27	C1097	SOCKET BUTTON HEAD SCREW M6 X 1 X 12mm	4

Position the dowel pins on the main frame bottom assembly with the corresponding holes on the back shroud.

Secure the front and back shrouds in place using the identified hardware.



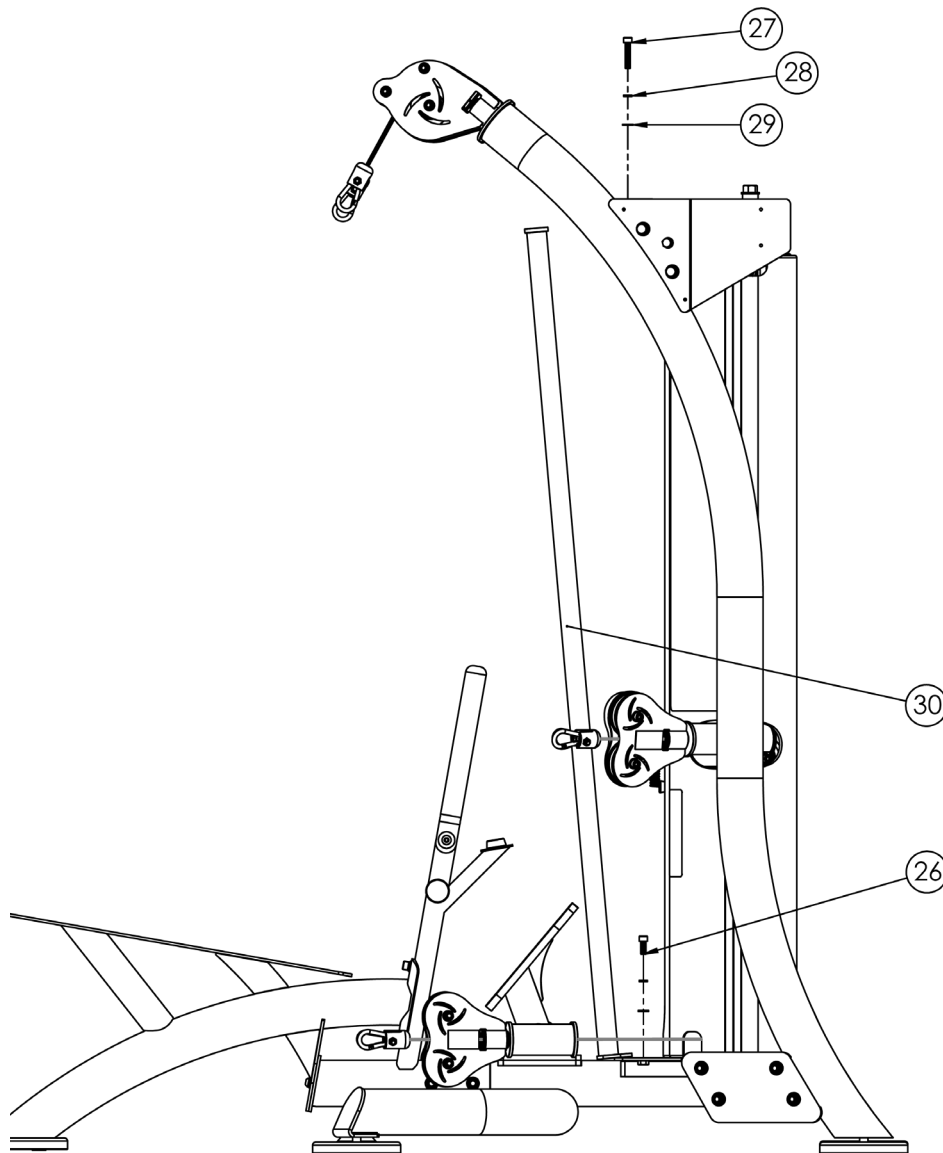
CHAPTER 2: ASSEMBLY GUIDE

ASSEMBLY STEPS:

Step 12 (Handle Columns):

Secure the handle columns to the top frame assembly and main frame bottom assembly using the identified hardware.

<u>Item</u>	<u>Part Number</u>	<u>Description</u>	<u>Quantity</u>
26	SD0226	SOCKET HEAD CAP SCREW M10 X 1.5 X 25mm	4
27	SD0225	SOCKET HEAD CAP SCREW M10 X 1.5 X 50mm	2
28	SD0246	LOCK WASHER 11mm ID X 16mm OD X 2.6mm THICK	6
29	SD0243	FLAT WASHER 10.5mm ID X 20mm OD X 2mm THICK	6
30	SM-1050CL000	HANDLE COLUMN	2



CHAPTER 2: ASSEMBLY GUIDE

ASSEMBLY STEPS:

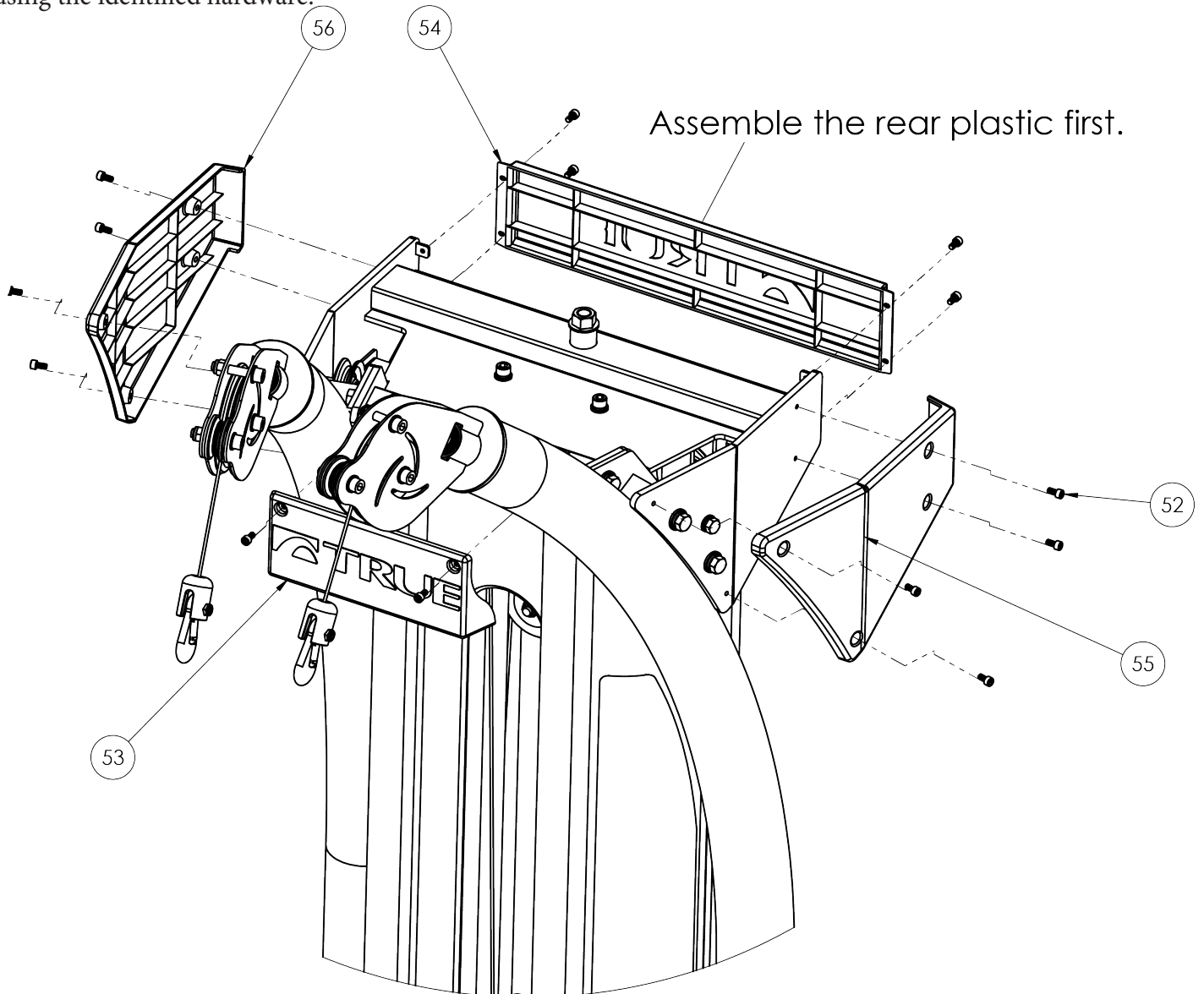
Step 13 (Top Frame Assembly Plastics):

Fully tighten all main frame and side frame hardware.

Secure the rear plastic to the top frame assembly using the identified hardware.

Item	Part Number	Description	Quantity
52	C1099	SOCKET HEAD CAP SCREW M6 X 1 X 12mm	14
53	SM-2000PL003	FRONT PLASTIC	1
54	SM-2000PL000	REAR PLASTIC	1
55	SM-2000PL001	RIGHT PLASTIC	1
56	SM-2000PL002	LEFT PLASTIC	1

Secure the remaining front, left, and right plastics to the top frame assembly using the identified hardware.



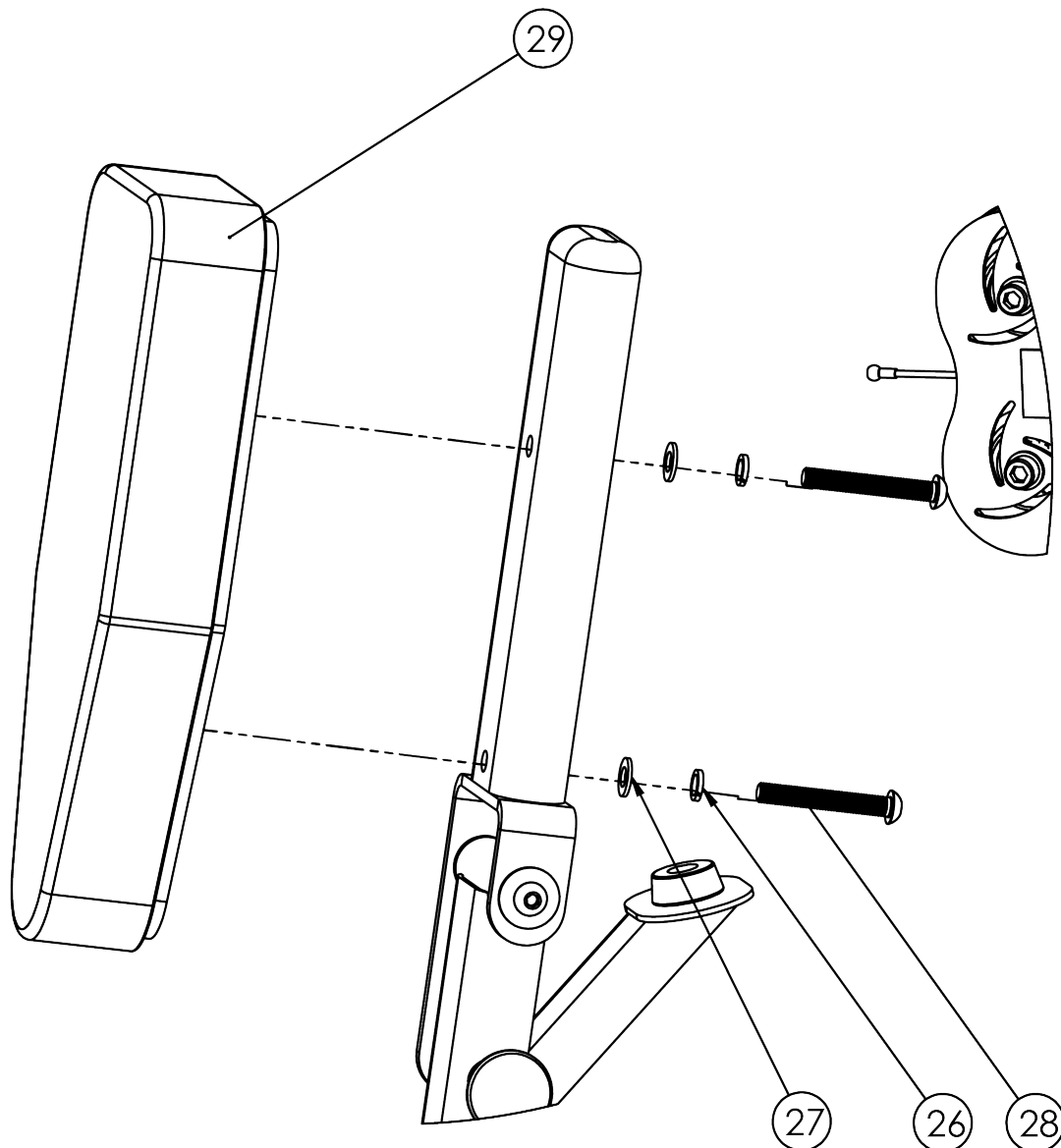
CHAPTER 2: ASSEMBLY GUIDE

ASSEMBLY STEPS:

Step 14A (Seat Back Pad):

Secure the seat back pad to the seat back base assembly using the identified hardware.

Item	Part Number	Description	Quantity
26	SD0246	LOCK WASHER 11mm ID X 16mm OD X 2.6mm THICK	2
27	SD0243	FLAT WASHER 11mm ID X 20mm OD X 2.3mm THICK	2
	C1098	SOCKET BUTTON HEAD SCREW M10 X 1.5 X 70mm	2
	SM-1050PD001X	SEAT BACK PAD	1



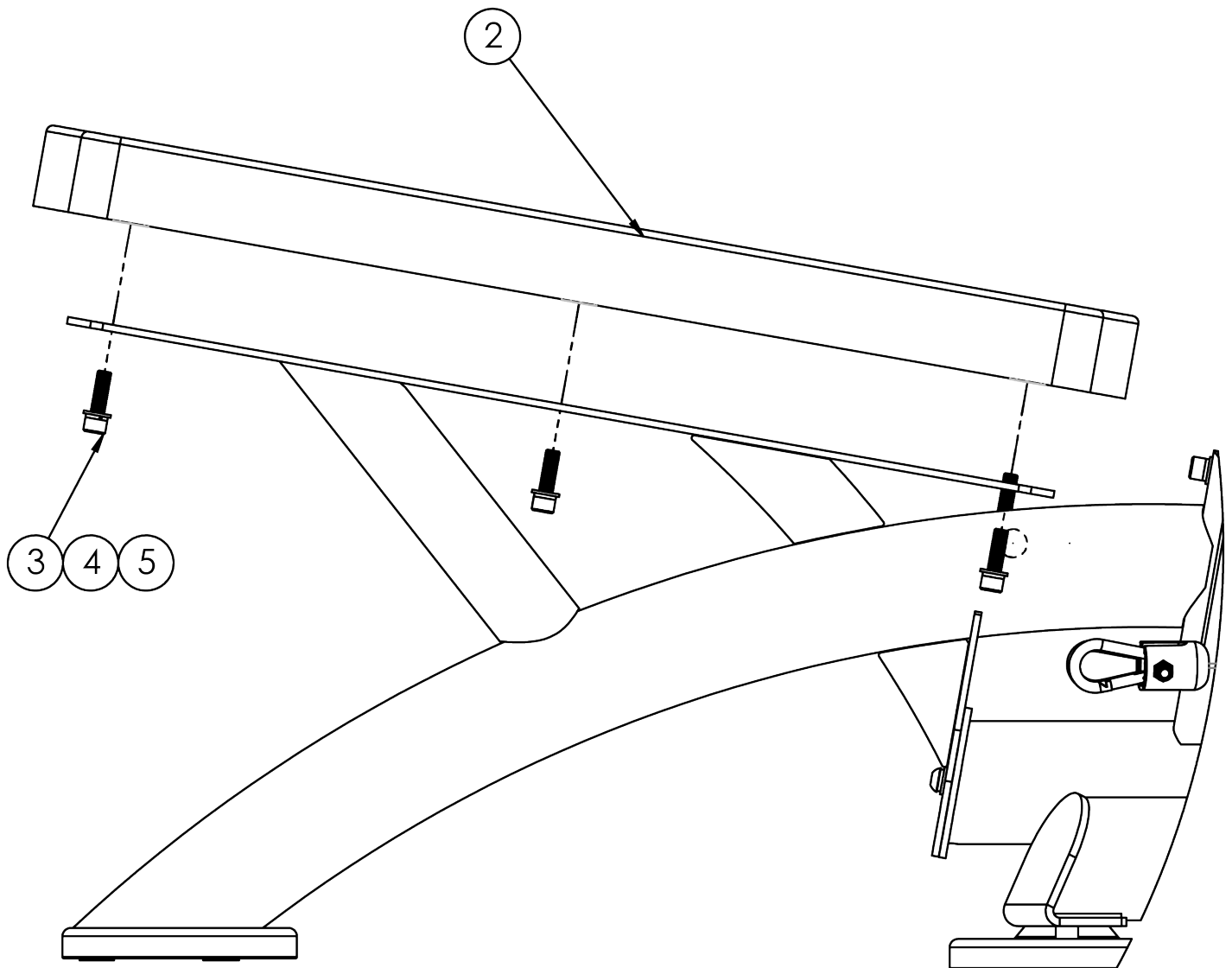
CHAPTER 2: ASSEMBLY GUIDE

ASSEMBLY STEPS:

Step 14B (Bottom Seat Pad):

Secure the bottom seat pad to the seat frame assembly using the identified hardware.

Item	Part Number	Description	Quantity
2	SM-1050PD002X	SEAT PAD ASSEMBLY	1
3	C1096	SOCKET HEAD CAP SCREW M10 X 1.5 X 35mm	6
4	SD0246	LOCK WASHER 11mm ID X 16mm OD X 2.6mm THICK	6
5	SD0243	FLAT WASHER 10.5mm ID X 20mm OD X 2mm THICK	6



CHAPTER 2: ASSEMBLY GUIDE

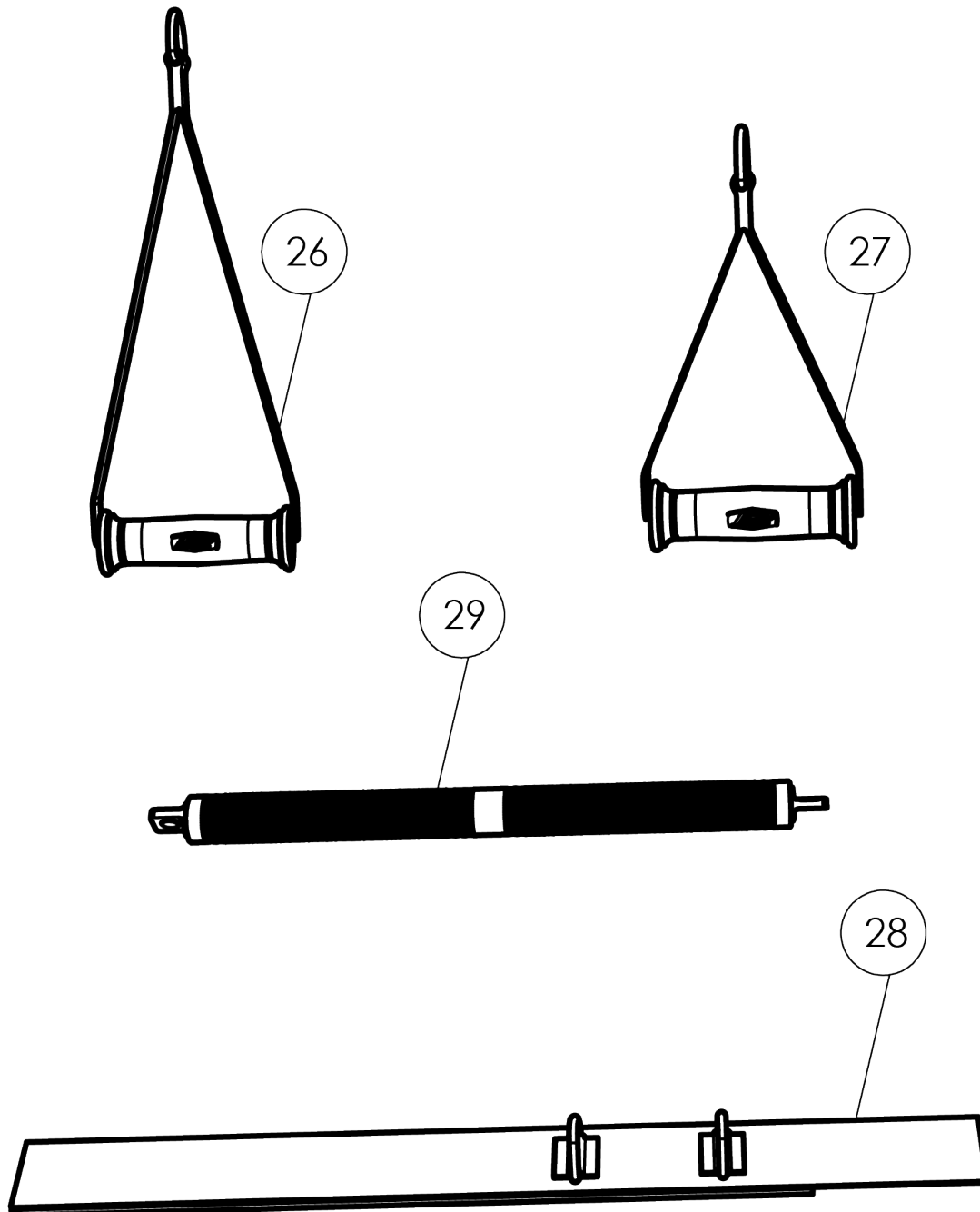
ASSEMBLY STEPS:

Step 15 (Optional Accessories and Front Shroud Labels):

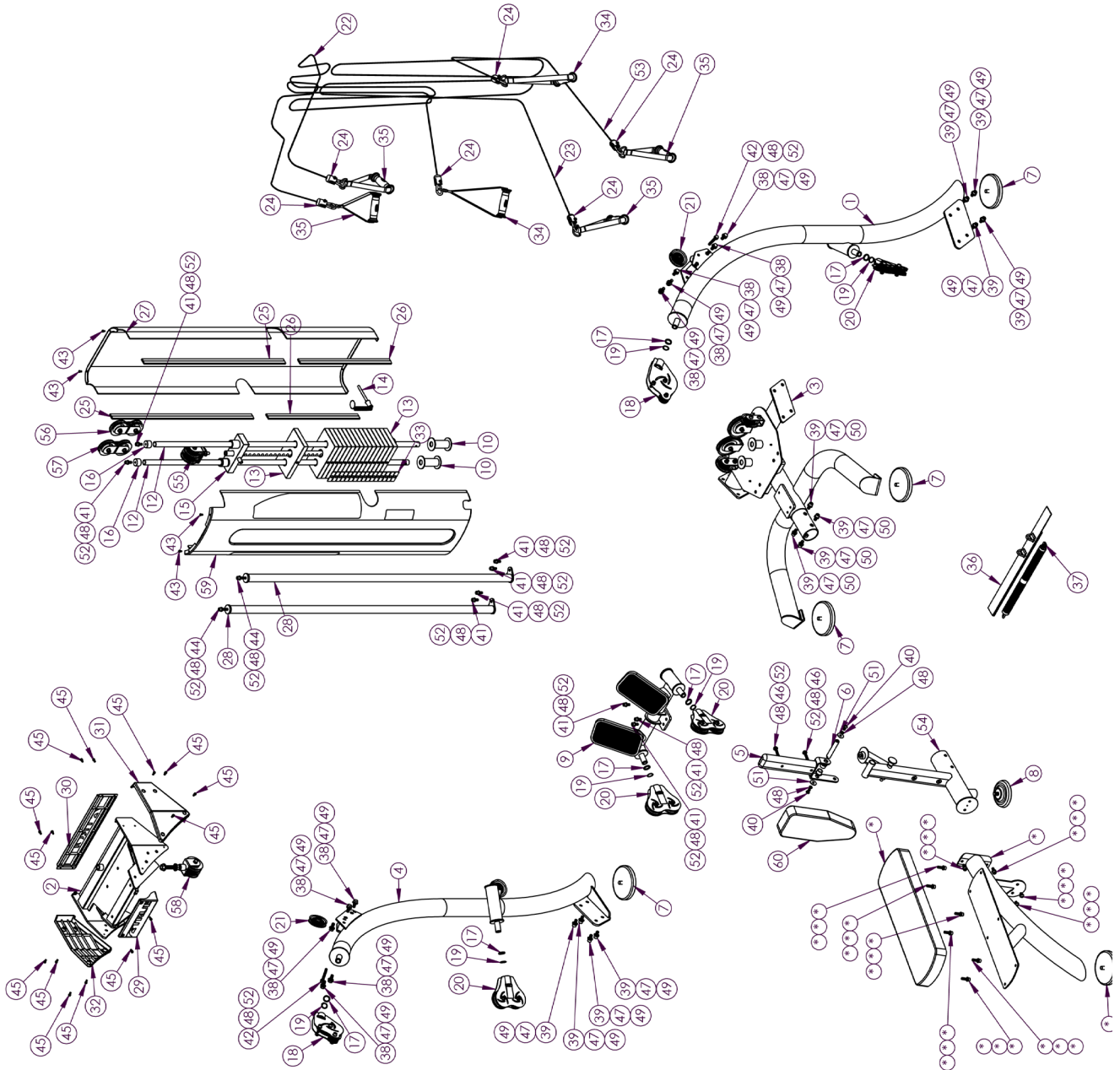
Assemble the desired accessories as shown below.

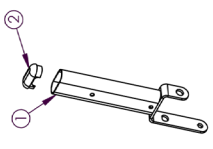
<u>Item</u>	<u>Part Number</u>	<u>Description</u>	<u>Quantity</u>
26	SM-2000HD002X	LONG HANDLE	2
27	SM-2000HD000X	SHORT HANDLE	4
28	SM-2000TS001X	THIGH STRAP	1
29	SM-2000RH000X	ROW HANDLE	1

Attach the weight stack and other labels to the front shroud as shown below.



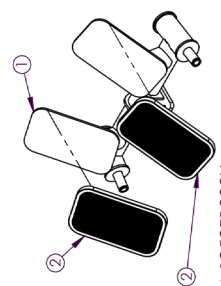
ITEM NO.	PART NUMBER	DESCRIPTION	all parts/qty.
1	SM-1050SF300X	RIGHT SIDE FRAME ASSEMBLY	1
2	SM-2000IF000X	TOP FRAME ASSEMBLY	1
3	SM-1050MF000X	MAIN FRAME BOTTOM ASSEMBLY	1
4	SM-1050SF400X	LEFT SIDE FRAME ASSEMBLY	1
5	SM-1050SB100X	SEAT BACK FRAME ASSEMBLY	1
6	SM-2000AX001	SHAFT 25mm DIA X 114mm LONG W/ M10 HOLES ON ENDS	1
7	SM-2000LF000X	LEVELING FOOT ASSEMBLY	4
8	SM-2000LF100X	LEVELING FOOT ASSEMBLY	1
9	SM-1050PF000X	FOOT PLATE FRAME ASSEMBLY	1
10	SM-2000WS000	WEIGHT STACK SPACER	2
11	SM-2000WB000	RUBBER WEIGHT BUMPER 62mm X 58mm X 24mm X 25mm	2
12	SM-2000GR001	WEIGHT GUIDE ROD	2
13	S 502	WEIGHT	16
14	SM-2000SF000X	SELECTOR PIN 10mm X 121mm	1
15	SM-2000PF020X	TOP PLATE W/ SELECTOR BAR ASSEMBLY	1
16	SM-2000GR002	GUIDE ROD TOP CAP NYLON SLEEVE	2
17	SM-2000SF010	SPACER SLEEVE 32mm X 25.5mm X 4mm	6
18	SM-2000PH100X	TOP PULLEY HOUSING	2
19	SM-2000CC100	RETAINING RING FOR SHAFT 20mm DIA	6
20	SM-2000PH200X	PULLEY HOUSING ASSEMBLY	4
21	SM-2000PL500	PULLEY 89mm DIA	2
22	SM-2000CB001X	UPPER QUICKFIT CABLE W/ BALL ENDS	1
23	SM-2000CB002X	LOWER QUICKFIT CABLE W/ BALL ENDS	1
24	SM-2000CL1000X	END OF CABLE LINKAGE	6
25	SM-2000PL008	H CHANNEL 84.5mm LONG	2
26	SM-2000PL009	H CHANNEL 559mm LONG	2
27	SM-2000RS001	REAR SHROUD	1
28	SM-1050CL1000	HANDLE COLUMN	2
29	SM-2000PL003	FRONT PLASTIC	1
30	SM-2000PL001	REAR PLASTIC	1
31	SM-2000PL001	RIGHT PLASTIC	1
32	SM-2000PL002	LEFT PLASTIC	1
33	LBL-SM2000-1-60	GF WEIGHT PLATE DECAL	1
34	SM-2000HD002X	LONG HANDLE	2
35	SM-2000HD000X	SHORT HANDLE	4
36	SM-2000IS001X	THIGH STRAP	1
37	SM-2000RH000X	ROW HANDLE	1
38	CI 095	HEX HEAD SCREW M12 X 1.75 X 30mm	10
39	CI 103	SOCKET HEAD CAP SCREW M12 X 1.75 X 25mm	12
40	SD0214	SOCKET BUTTON HEAD SCREW M10 X 1.5 X 20mm	2
41	SD0226	SOCKET HEAD CAP SCREW M10 X 1.5 X 25mm	9
42	CI 101		2
43	CI 097	SOCKET BUTTON HEAD SCREW M6 X 1 X 12mm	4
44	SD0225	SOCKET HEAD CAP SCREW M10 X 1.5 X 50mm	2
45	CI 099	SOCKET HEAD CAP SCREW M6 X 1 X 12mm	14
46	CI 098	SOCKET BUTTON HEAD SCREW M10 X 1.5 X 70mm	2
47	CI 094	LOCK WASHER 12.2mm ID X 21.5mm OD X 3mm THICK	22
48	SD0246	LOCK WASHER 11mm ID X 16mm OD X 2.6mm THICK	17
49	CI 089	FLAT WASHER 13.57mm ID X 25.4mm OD X 2.8mm THICK	18
50	CI 092	CURVED WASHER 12.5mm ID X 24mm OD X 2mm THICK	4
51	CI 091	FLAT WASHER 10mm ID X 32mm OD X 1.8mm THICK	2
52	SD0243	FLAT WASHER 10.5mm ID X 20mm OD X 2mm THICK	15
53	MicroSM-2000CB002X	From part H-LOWER QUICKFIT CABLE W/ BALL ENDS	1
54	SM-1050SB000X	SEAT BACK BASE ASSEMBLY	1
55	SM-1050BR050	PULLEY HOUSING ON TOP PLATE ASSEMBLY	1
56	SM-1050PH450X	FLOATING PULLEY HOUSING	1
57	SM-1050PH501X	FLOATING PULLEY HOUSING	1
58	SM-1050SF000X	ADJUSTABLE TOP PULLEY HOUSING	1
59	SM-1050SF001X	FRONT SHROUD ASSEMBLY	1
60	SM-1050PF0001X	SEAT BACK PAD	1





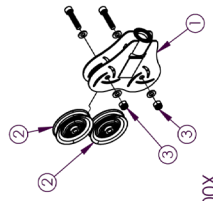
SM-1050SB100X

ITEM NO.	True Part #	DESCRIPTION	QTY.
1	SM-1050SB100	SEAT BACK FRAME WELDMENT	1
2	SM-2000SB150	SEAT BACK PLASTIC END CAP	1



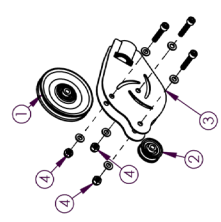
SM-1050FB000X

ITEM NO.	True Part #	DESCRIPTION	QTY.
1	SM-1050FB000	FOOT PLATE WELDMENT	1
2	SM-2000FP001	RUBBER FOOT PAD	2



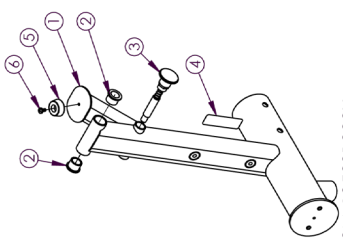
SM-2000PH200X

ITEM NO.	True Part #	DESCRIPTION	QTY.
1	SM-2000PH600X	PULLEY HOUSING GROUP	1
2	SM-2000PL500	PULLEY 89mm DIA.	2
3	SD0209	NYLON LOCK NUT M10 X 1.6mm ACROSS X 12mm HEIGHT	2
4	SD0225	SOCKET HEAD CAP SCREW M10 X 1.5 X 50mm	2
5	SD0243	FLAT WASHER 10.5mm ID X 20mm OD X 2mm THICK	4



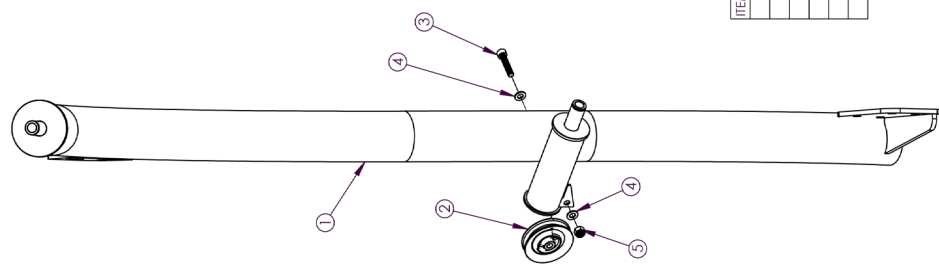
SM-2000PH100X

ITEM NO.	True Part #	DESCRIPTION	QTY.
1	SM-2000PY100	LARGE PULLEY	1
2	SM-2000PY200	SMALL PULLEY	1
3	SM-2000PH700X	PULLEY HOUSING GROUP	1
4	SD0209	NYLON LOCK NUT M10 X 1.6mm ACROSS X 12mm HEIGHT	3
5	SD0243	FLAT WASHER 10.5mm ID X 20mm OD X 2mm THICK	6
6	SD0225	SOCKET HEAD CAP SCREW M10 X 1.5 X 50mm	3



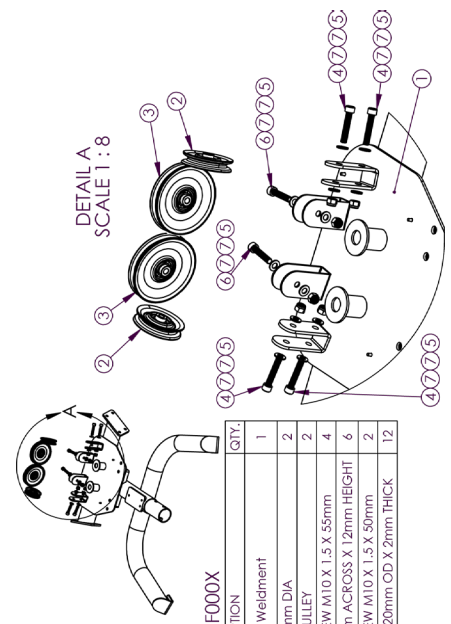
SM-1050SB000X

ITEM NO.	PART NUMBER	DESCRIPTION	QTY.
1	SM-1050SB000	SEAT BACK BASE WELDMENT	1
2	6659K44	BRONZE BUSHING 20mm ID X 26mm OD X 17mm TH X 32mm OD X 3mm TH	2
3	SM-2000PNI00X	SEAT BACK POP PIN	1
4	Serial Num Sticker	SERIAL NUM STICKER	1
5	SM-2000BR000	SEAT STOP	1
6	C1109	PHILLIPS PAN HEAD METRIC SCREW M6 x 1 x 12mm	1



SM-1050SF300X

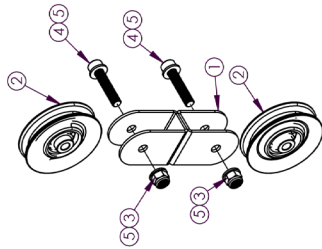
ITEM NO.	True Part #	DESCRIPTION	QTY.
1	SM-1050SF300	Side Frame Weldment R	1
2	SM-2000PL500	PULLEY 89mm DIA	1
3	SD0225	SOCKET HEAD CAP SCREW M10 X 1.5 X 50mm	1
4	SD0243	FLAT WASHER 10.5mm ID X 20mm OD X 2mm THICK	2
5	SD0209	NYLON LOCK NUT M10 X 1.6mm ACROSS X 12mm HEIGHT	1



SM-1050MF000X

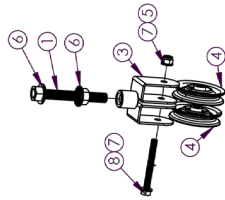
ITEM NO.	True Part #	DESCRIPTION	QTY.
1	SM-1050MF000	Middle Frame Weldment	1
2	SM-2000PL500	PULLEY 89mm DIA	2
3	SM-2000PY100	LARGE PULLEY	2
4	SD0312	SOCKET HEAD CAP SCREW M10 X 1.5 X 55mm	4
5	SD0209	NYLON LOCK NUT M10 X 1.6mm ACROSS X 12mm HEIGHT	4
6	SD0225	SOCKET HEAD CAP SCREW M10 X 1.5 X 50mm	2
7	SD0243	FLAT WASHER 10.5mm ID X 20mm OD X 2mm THICK	12

DETAIL A
SCALE 1 : 8



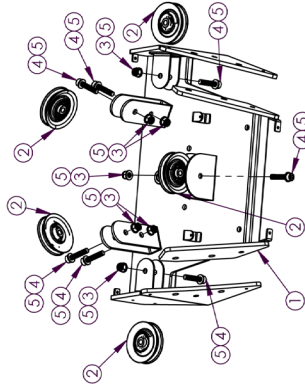
SM-1050PH500X

ITEM NO.	True Part #	DESCRIPTION	QTY.
1	SM-2000BR001	PULLEY HOUSING	2
2	SM-2000PL500	PULLEY 89mm DIA.	2
3	SD0209	NYLON LOCK NUT M10 X 1.6mm ACROSS X 12mm HEIGHT	2
4	SD0225	SOCKET HEAD CAP SCREW M10 X 1.5 X 50mm	2
5	SD0243	FLAT WASHER 10.5mm ID X 20mm OD X 2mm THICK	4



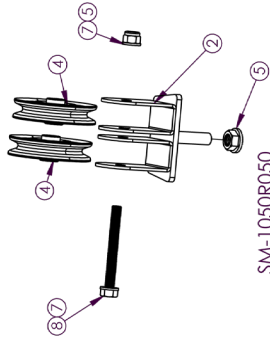
SM-2000PH400X

ITEM NO.	True Part #	DESCRIPTION	QTY.
1	SM-2000BR201	THREADED ROD	1
2	SM-2000BR202	THREADED COLLAR	1
3	SM-2000BR001	PULLEY HOUSING	2
4	SM-2000PL500	PULLEY 89mm DIA.	2
5	SD0209	NYLON LOCK NUT M10 X 1.6mm ACROSS X 12mm HEIGHT	1
6	C1100	TOOTHED LOCK NUT M1.6 X 2X 1.6mm HEIGHT 34.5mm DIA OD	2
7	SD0243	FLAT WASHER 10.5mm ID X 20mm OD X 2mm THICK	2
8	C1104	HEX HEAD BOLT M10 X 1.5 X 90mm	1



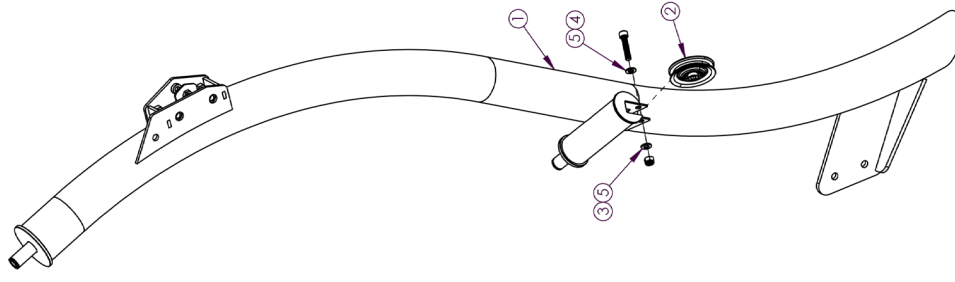
SM-1050TF000X

ITEM NO.	True Part #	DESCRIPTION	QTY.
1	SM-1050TF000	TOP FRAME WELDMENT	1
2	SM-2000PL500	PULLEY 89mm DIA.	5
3	SD0209	NYLON LOCK NUT M10 X 1.6mm ACROSS X 12mm HEIGHT	7
4	SD0225	SOCKET HEAD CAP SCREW M10 X 1.5 X 50mm	7
5	SD0243	FLAT WASHER 10.5mm ID X 20mm OD X 2mm THICK	14



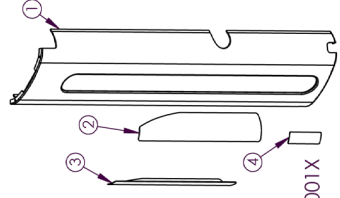
SM-1050R050

ITEM NO.	True Part #	DESCRIPTION	QTY.
1	SM-2000BR002	MOUNTING PLATE	1
2	SM-2000BR001	PULLEY HOUSING	2
3	SM-2000TR000	THREADED ROD	1
4	SM-2000PL500	PULLEY 89mm DIA.	2
5	SD0208	Circle lock nut (1/2"-1.3 x 0.45" across)	1
6	C1104	HEX HEAD BOLT M10 X 1.5 X 90mm	1
7	SD0209	NYLON LOCK NUT M10 X 1.6mm ACROSS X 12mm HEIGHT	1
8	SD0243	FLAT WASHER 10.5mm ID X 20mm OD X 2mm THICK	2



SM-1050SF400X

ITEM NO.	True Part #	DESCRIPTION	QTY.
1	SM-1050SF400	SIDE FRAME WELDMENT L	1
2	SM-2000PL500	PULLEY 89mm DIA	1
3	SD0209	NYLON LOCK NUT M10 X 1.6mm ACROSS X 12mm HEIGHT	1
4	SD0225	SOCKET HEAD CAP SCREW M10 X 1.5 X 50mm	1
5	SD0243	FLAT WASHER 10.5mm ID X 20mm OD X 2mm THICK	2



SM-1050FS001X

ITEM NO.	PART NUMBER	Description	QTY.
1	SM-2000FS001	FRONT SHROUD	1
2	LBL-SM2000-001	PROCEDURE LABEL	1
3	LBL-SM2000-002	PROCEDURE LABEL	1
4	LBL-SM2000-003	WARNING LABEL	1

CHAPTER 3: CARE & MAINTENANCE

CARE & MAINTENANCE:

Preventative maintenance is crucial to maintaining the function and safety of this equipment. Your facility must establish written guidelines for preventative maintenance and keep written or online records of the maintenance performed on these products. As a minimum, the items presented in the Safety Instructions section of this document and the items that follow here, should be included in your maintenance program.

IMPORTANT: Always purchase replacement parts from TRUE Fitness. Many parts are tested and manufactured specifically for TRUE Fitness equipment. Use of unapproved parts may cause serious injury and/or void the limited warranty.

DAILY INSPECTION & MAINTENANCE:

The following items are critical to the safety of users and maintenance staff as well as ensuring the optimum performance of the machines. These inspections should be performed each day before the equipment is subject to use. TRUE Fitness is not responsible for performing or scheduling regular maintenance or inspections.

- Inspect cables for wear, tension, and proper connection (as described in the cable inspection section below) if equipped.
- Inspect all adjustment pins, weight stack pins, set screws, gas shocks, snap links, and pulleys if equipped.
- Inspect all safety and instructional decals.
- Inspect all weight stack shields if equipped.
- Verify that rubber hand grips are intact and secure.
- Verify that anti-skid foot grips are intact and secure
- Verify that the weight stack selector pin is attached with the coiled lanyard to the top plate if equipped.

WEEKLY INSPECTION & MAINTENANCE:

The following items are critical to the safety of users and maintenance staff as well as ensuring the optimum performance of the machines. These inspections should be performed each week. TRUE Fitness is not responsible for performing or scheduling regular maintenance or inspections.

- Check entire length of cable & end fittings for any signs of wear if equipped. Replace immediately as required. (Refer to Daily Maintenance Section).
- Verify that a minimum of 1/2 inch (12.7mm) of the threaded portion of the cable bolt is threaded into the top plate and that the nut is tight if equipped with a cable. (See Cable Inspection & Maintenance Section).
- Perform a function test by placing the selector pin in the top plate and cycling the machine through the intended motion if equipped with a cable. Verify that the machine operates smoothly without binding. Select a moderate weight and repeat.
- Verify that each pulley rotates freely when performing the exercise if equipped with pulleys. A pulley that does not rotate will cause extreme cable wear and could lead to cable failure. Determine cause and remedy immediately.
- Verify that the adjustment pop pins retract easily and fully engage (when released) into each adjustment disc hole/slot. The pop pins are spring loaded so they should return to the engaged position when you release the knob.
- Verify that the adjustment pin disengages and engages freely when actuating the adjustment mechanism. Be sure that the adjustment pin inserts fully into the adjustment disc.
- Verify that all hardware is tight and that associated frame members are secure. Apply a few small drops of a thread locking compound such as Loctite on any loose bolts.
- Inspect frame for integrity and function. Replace any components at the first sign of wear with only TRUE supplied parts.

CHAPTER 3: CARE & MAINTENANCE

OTHER SCHEDULED PREVENTIVE MAINTENANCE:

TRUE recommends that scheduled maintenance be performed by a qualified service technician. Please contact your dealer or visit www.truefitness.com to contact a local TRUE authorized service technician.

Monthly:

Clean guide rods and lubricate with a Teflon grease if equipped with guide rods.

Every 6 months:

Lubricate pivot bearing and linear bearings with lithium grease.

CLEANING THE EQUIPMENT:

Daily Cleaning:

Wipe all machines with a water dampened cloth and dry completely. This includes painted parts, chrome plated parts (except guide rods), plastic parts, and upholstered pads. It is important not to leave parts damp. This will increase the potential for corrosion to occur.

CAUTION:

Certain anti-bacterial cleaners and other harsh cleaning agents can induce corrosion on the machine components. These solutions can also dry out and cause cracking and splitting on the upholstery.

Heavy Duty Cleaning:

Guide Rods (If Equipped): Clean and lubricate with a Teflon Spray. Be sure to coat the entire guide rod. Spraying lubricant into the cap plate bushings is also recommended.

Chromed Adjustment Tubes: Wipe away dust and dirt before applying a Teflon spray lubricant. TRUE Fitness recommends using TriFlow or a similar brand.

Linear Bearings: Clean the linear shaft and lubricate (as required) with Teflon based grease. Keeping linear bearings clean and lubricated is critical to long life and good performance.

Painted Frames: If you have scuff marks, grease or a heavy dirt buildup on frame components, start with a mild soap solution or a diluted solution of a product such as Simple Green with a dilution of 32:1. If you cannot remove the marks using those methods, use a car polish/cleaner. DO NOT use solvents such as lacquer thinner, mineral spirits or acetone. For deeper scuff marks, use an automobile finish rubbing compound.

Upholstery: For heavy duty cleaning, use a mild soap solution. This method should be sufficient in the majority of instances. In severe stain cases, you can use a solution of 5-10% household bleach diluted with water. Be sure to test an inconspicuous area first. DO NOT use chemical cleaners on the vinyl upholstery. You can also use a lanolin based hand cleaner to clean your upholstery. Wipe off after cleaning with a damp cloth and thoroughly dry. **Plastic Parts:** use a mild soap solution to clean dirt and grease marks. **Labels:** use a mild soap solution to clean dirt and grease marks. **Shrouds:** use a mild soap solution to clean dirt and grease marks.

CAUTION:

Do not use any acidic cleaners. Doing so will weaken the paint or powder coatings and may void the TRUE Fitness Warranty. Never pour or spray liquids on any part of the equipment. Allow the equipment to dry completely before using.

CHAPTER 3: CARE & MAINTENANCE

⚠ CAUTION:

If you determine that the equipment needs service, make sure that the equipment cannot be used inadvertently and ensure other users know that the machine needs service.

*To order parts or to contact a TRUE Authorized Service representative, please visit www.truefitness.com

CABLE INSPECTION & MAINTENANCE:






One of the most critical areas that require frequent inspection on any weight machine is the cable or belt system that lifts the weight stack if the machine is equipped with those items. Sudden failure of a worn cable can, in some instances, result in injury to the user. It is the responsibility of the facility to inspect the cables frequently.

Cables are components that wear over time. This means that the more often a piece of equipment is used, the greater the likelihood that cable wear will occur. This holds true for equipment made by any manufacturer and applies to urethane belts as well as wire rope cables. Listed below are the areas of the cable that require inspection.

*TRUE Fitness recommends that all cables be replaced on an annual basis to maintain the safety of all users.

Cable Wear:

Inspect all cables for any signs of wear. Pay close attention to the cable in the area of the end fittings and attachment points. Inspect the areas around the pulleys and/or cams. Shown below are examples of cables that exhibit signs of potential failure. If any of these conditions are apparent, the machine should immediately be taken out of service and repaired. Be sure to use only cables supplied by TRUE Fitness. DO NOT use cables that have fittings attached with hand-crimp tools.

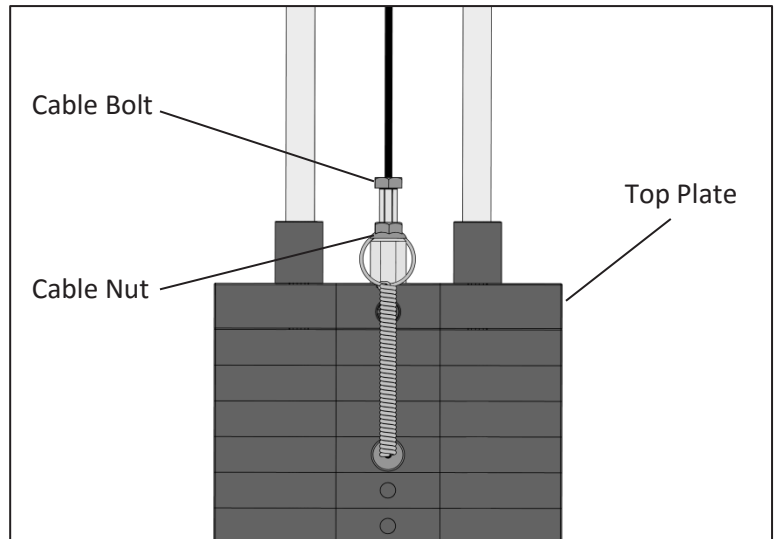
<p>Twisted Cable (Zig-Zag pattern):</p> 	<p>Break in the Cable Cover:</p> 
<p>Break/Bend in Cable:</p> 	<p>Tear in the Cable Cover:</p> 
<p>Stretched Cable Covering:</p> 	<p>Crimp Connector Dislodged:</p> 

CHAPTER 3: CARE & MAINTENANCE

Cable Tension:

Ensure that the cables are adjusted to remove any slack using the threaded end fittings. These are normally located at the weight stack connection. Depending upon the machine, there may be multiple threaded fitting on multiple cables. You can determine if there is too much slack by performing the exercise. As you start to move a load arm or handle, the weight stack should lift immediately. If not, the cable tension needs to be adjusted.

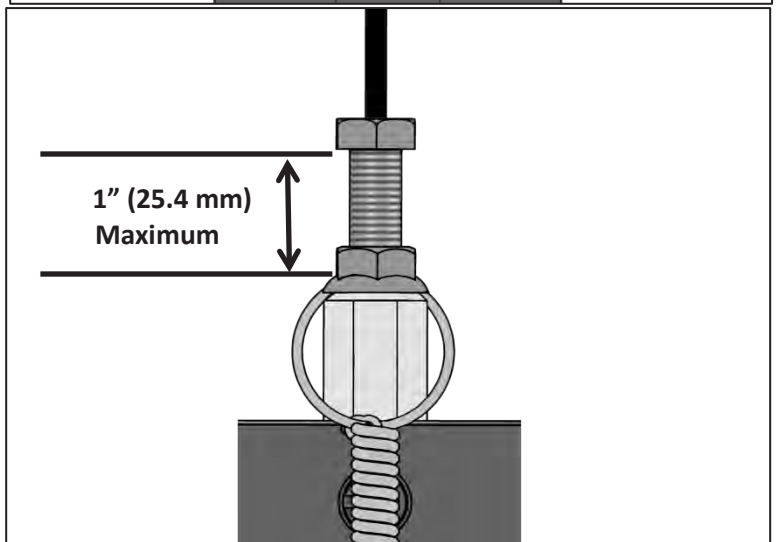
To adjust the cable tension, loosen the cable nut that is located on the cable bolt connected to the top plate. Tighten the cable bolt until the top plate is barely lifted off of the first weight plate and then re-tighten the cable nut.



▲ CAUTION:

A minimum of 1/2 inch (12.7mm) of the threaded portion of the cable bolt must be threaded into the top plate.

*No more than 1 inch (25.4 mm) of the threaded portion of the cable bolt should be visible.



Handle Fittings (if applicable):

Inspect the cable fittings where any handles are attached to the end of the cable. The fittings supplied with this machine are load rated snap-links. Ensure that the snap-link opens and closes easily and is fully engaged when closed. Replace the snap-link as needed.



CHAPTER 4: CUSTOMER SERVICE

CONTACTING SERVICE:

TRUE Fitness recommends that you gather the serial number, model number, and a brief description of the reason for the request. After information has been gathered you may choose to contact your selling dealer or local service company to set an appointment. (If you are not familiar with who is in your area, you may visit our website at www.truefitness.com and use our dealer locator to obtain the contact information for the closest dealer).

You may also contact TRUE Fitness' customer support team by calling 800-883-8783 or emailing us at service@truefitness.com Monday — Friday during normal hours of operation.

TRUE FITNESS SERVICE DEPARTMENT
865 HOFF ROAD
ST. LOUIS, MO 63366
1.800.883.8783
HOURS OF OPERATION: 8:30 A.M. - 5:00 P.M. CST
E-MAIL: service@truefitness.com

CONTACTING SALES:

Interested in TRUE products? Please contact us with any sales or product inquiries so that we may direct you to the appropriate sales representative to answer your questions.

TRUE FITNESS HOME OFFICE
865 HOFF ROAD
ST. LOUIS, MO 63366
1.800.426.6570
HOURS OF OPERATION: 8:30 A.M. - 5:00 P.M. CST
E-MAIL: sales@truefitness.com

CHAPTER 4: CUSTOMER SERVICE

REPORTING FREIGHT OR PARTS DAMAGE:

Unfortunately, sometimes materials can be damaged during shipment. If materials are damaged during shipment, please follow the guidelines below to determine the appropriate process for you to follow in case of damages.

Severe Damage:

Obvious damage to external packaging / internal product. Please refuse the shipment and it will be returned to TRUE Fitness by the carrier. Contact the TRUE Fitness customer support team by calling 800.883.8783 or sales support team by calling 800.426.6570 Monday-Friday during normal hours of operation to notify us that the shipment has been refused. Once we have received the damaged shipment, a replacement shipment will be sent to you. Only refuse the damaged piece if the shipment is multiple boxes.

Slight Damage:

The box may have minimal damages and you are not sure if the actual product is damaged or not. You must sign the bill of lading as damaged when accepting the shipment. Once you have opened the box and you have determined something is indeed damaged please gather the serial number, model number, description and photos of damages. Please make sure the photos include the damaged product as well as the damaged box the product arrived in. Contact the TRUE Fitness customer support team by calling 800.883.8783 or sales support team by calling 800.426.6570 Monday-Friday during normal hours of operation.

Concealed Damage:

You may receive a shipment that looks intact and discover once the box has been opened that there are hidden damages. Please notify the carrier immediately. We will not be able to file a claim if the carrier is not notified in a timely manner. Once you have called the carrier you will need to gather the serial number, model number, description and photos of damages. Contact the TRUE Fitness customer support team by calling 800.883.8783 or sales support team by calling 800.426.6570 Monday-Friday during normal hours of operation.

CHAPTER 5: ADDITIONAL INFORMATION

Save Time and Register Online!
Activate Multiple Warranties at truefitness.com

All TRUE® Fitness products are distributed by TRUE and are warranted to the original registered product purchaser and the parts of the TRUE product (the "Product") listed below, under normal use and service, shall be free of manufacturing defects in workmanship and materials only for the period of time beginning from the original date of purchase set forth below:

Frame*	10 Years
Parts	
Bearings, Bushings, and Weight Plates	5 Years
Guide Rods and Pulleys	5 Years
Cables and Belts	1 Year
Cosmetics, Coatings, Grips, and Upholstery	3 Months
Labor	
Frame	1 Year
Bearings, Bushings, Weight Plates	1 Year
Guide Rods and Pulleys	1 Year
Cables and Belts	1 Year
Cosmetics, Coatings, Grips, and Upholstery	6 Months

NOTE: Warranty valid for USA and Canada only.
NOTE: Failure to register this product will result in no servicing or authorization of parts to be shipped.
NOTE: Buying after-market products from a 3rd party will result in voided warranty.
NOTE: This product is intended for Commercial use. If this product will not be used in this particular setting, please contact TRUE as is warranty is void.

Frame: The frame is warranted for defects in material and workmanship for a 10 years. The frame is warranted for labor and freight (for parts shipped from TRUE) for one year from date of purchase. * This limited warranty on structural frame does not include paint or coatings.

Parts: The Quick Fit's mechanical parts are warranted for defects in material and workmanship for five years with one year labor warranty. Cables and belts are warranted for defects in material and workmanship for one year with one year labor warranty. This limited warranty does not cover damage or equipment failure resulting from or caused by improper assembly/installation, failure to follow instructions and warnings in owner's manual, accident, misuse, abuse, unauthorized modification, or failure to provide reasonable and necessary maintenance.

Cosmetics: The Quick Fit's cosmetic parts, coatings, grips and upholstery are warranted for defects in material and workmanship for six months with labor warranty to match the parts warranty period. This limited warranty does not cover damage or equipment failure resulting from or caused by improper assembly/installation, failure to follow instructions and warnings in owner's manual, accident, misuse, abuse, unauthorized modification, or failure to provide reasonable and necessary maintenance. This limited warranty will apply to, but may not be limited to, plastic covers, shrouds, caps, badges, overlays, paint, coatings, soft step inserts, and grips.

Labor: Labor is covered for a period of one year from the date of purchase unless otherwise expressed within this limited warranty as long as a TRUE authorized service provider performs the service. Service that requires over 50 miles of travel may be subject to additional charges. Reasonable and necessary maintenance guidelines can be found in the owner's manual.

Claims Procedure: TRUE Limited Warranty service may be obtained by contacting the authorized TRUE dealer from whom the Product was purchased. If the dealer from whom the Product was purchased is no longer an authorized TRUE dealer, then TRUE Limited Warranty service may be obtained by contacting TRUE directly using the following contact information:

TRUE Fitness, Service Department
 865 Hoff Road, St. Louis, MO 63366
 1.800.883.8783
 Hours of operation 8:30am - 5:00 pm CST

CHAPTER 5: ADDITIONAL INFORMATION

Save Time and Register Online!
Activate Multiple Warranties at truefitness.com

The above Limited Warranty is subject to and will be in accordance with the conditions set forth below:

- 1. THIS LIMITED WARRANTY GIVES YOU SPECIAL LEGAL RIGHTS AND YOU MAY ALSO HAVE OTHER RIGHTS, WHICH VARY FROM STATE TO STATE.**
2. This Limited Warranty can be processed only if the Warranty Registration Form is completed online, or if the attached form is filled in, signed by the original purchaser, and mailed to TRUE within 30 days of purchaser's receipt of this Product. The serial number must be intact on the Product for this Limited Warranty to be valid.
3. This Limited Warranty applies to the product only while the Product remains in the possession of the original purchaser and is not transferable
4. This Limited Warranty becomes VALID ONLY if the Product is initially assembled/installed by a TRUE authorized dealer/ technician (if anyone other than a TRUE authorized dealer/ technician initially assembles and installs the Product, this Limited Warranty will be void unless the written authorization of TRUE is first obtained).
5. This Limited Warranty does not cover damage or equipment failure resulting from or caused by improper assembly/ installation, failure to follow instructions and warnings in owner's manual, accident, misuse, abuse, unauthorized modification, or failure to provide reasonable and necessary maintenance (as referenced in the owner's manual.)
6. This Limited Warranty applies only to the cost of repair or replacement of parts and does not include labor (beyond the above warranty period), transportation, service, return and freight charges associated therewith except as expressly specified herein.
7. This Limited Warranty shall not apply to: Service calls to correct installation of the equipment or instruction to owners on how to use the equipment; or any labor costs incurred beyond the applicable labor warranty period.
8. This Limited Warranty, which is given expressly and in lieu of all other express warranties, constitutes the only warranty made by TRUE.
- 9. ANY IMPLIED WARRANTY, INCLUDING WITHOUT LIMITATION THE WARRANTIES OF MERCHANTABILITY AND FITNESS FOR A PARTICULAR PURPOSE, IS LIMITED IN DURATION AND REMEDY TO THE TIME PERIOD COVERED BY THE LIMITED WARRANTY. SOME STATES DO NOT ALLOW LIMITATIONS ON HOW LONG AN IMPLIED WARRANTY LASTS, SO THE ABOVE LIMITATION MAY NOT APPLY TO YOU.**
- 10. THE REMEDIES DESCRIBED ABOVE ARE YOUR SOLE AND EXCLUSIVE REMEDIES AND TRUE'S ENTIRE LIABILITY**

FOR ANY BREACH OF THIS LIMITED WARRANTY. TRUE'S LIABILITY SHALL UNDER NO CIRCUMSTANCES EXCEED THE ACTUAL AMOUNT PAID BY YOU FOR THE PRODUCT, NOR SHALL TRUE UNDER ANY CIRCUMSTANCES BE LIABLE FOR ANY CONSEQUENTIAL, INCIDENTAL, SPECIAL, OR PUNITIVE DAMAGES OR LOSSES, WHETHER DIRECT OR INDIRECT. SOME STATES DO NOT ALLOW THE EXCLUSION OR LIMITATION OF INCIDENTAL OR CONSEQUENTIAL DAMAGES, SO THE ABOVE LIMITATION OR EXCLUSION MAY NOT APPLY TO YOU.

NOTE TO AUTHORIZED WARRANTY LABOR PROVIDERS:

Warranty labor reimbursement or warranty parts rights may not be transferred to, reassigned to, a third party without the express written consent of TRUE. Even jobbing out warranty labor requires TRUE's written approval.

QUICK FIT SERIAL NUMBER:

The Quick Fit comes with one serial number on the base of the machine. Please write down your serial number below and keep for your records.

SERIAL NUMBER:

SAMPLE SERIAL NUMBER STICKER:



Keep this page for your records

CHAPTER 5: ADDITIONAL INFORMATION

Thank you for purchasing a TRUE product. To validate the TRUE product warranty the fast and easy way, please go on-line now to truefitness.com/support and register your product. The information you provide will never be distributed to any other individuals or agencies for any purpose. If you prefer to mail your warranty card, have the owner of the product complete the information below and return it to TRUE Fitness within 30 days from the date of equipment installation.

To mail your warranty information, please fill in the information below and mail to: Service Dept., TRUE Fitness, 865 Hoff Road, St. Louis, MO 63366 (or save postage and register online at truefitness.com)

Commercial Warranty Registration

**PLEASE PROVIDE YOUR SERIAL NUMBER BELOW.
REQUIRED FOR WARRANTY REGISTRATION:**

SERIAL NUMBER:

Model Type _____

Date of Purchase _____

Your Company Name _____

Contact First Name _____

Contact Last Name _____

Address _____

City _____ State _____ ZIP _____

Email Address _____ Website _____

Phone _____ Fax _____

1. Where did you first learn about TRUE?

- a. Dealer b. Website
 c. Advertisement d. Referral
 e. Current Customer f. Other _____

2. Why did you purchase a TRUE product?

- a. Design/Appearance b. Dealer Suggestion
 c. Price/Value d. Quality Construction
 e. Performance f. TRUE Reputation
 g. Other _____

3. Please indicate your type of facility:

- a. Apartment/Condo b. Corporate Fitness Center
 c. Municipality d. Health Club/Gym/Spa
 e. Hotel/Resort f. Military Base
 g. Student Rec Center h. Other

4. What other types of equipment does your company ly own?

- a. Treadmill Brand _____
 b. Bike Brand _____
 c. Elliptical Brand _____
 d. Free Weights/Gym Brand _____

5. How many people use your facility on a daily basis?

- a. <25 b. 25-75
 c. 76-150 d. 150+

6. Do you plan to purchase more fitness equipment in the next 6-12 months?

- Yes No

7. If you answered "yes" to question 6, what type do you plan to purchase?

- a. Treadmill b. Elliptical
 c. Stationary Bike d. Free Weights
 e. Gym f. Other _____

8. Would you recommend TRUE to other club owners?

- Yes No

9. You are a valued TRUE customer and your suggestions allow us to continually improve your experience. Is there anything else you would like us to know? Please explain: